

100 SERIES



**A MODERN LOOK
THAT'S EASY ON THE BUDGET.**

CONTENTS

| | |
|--|-----|
| Performance | 2 |
| Durability | 3 |
| Fibrex® Material | 4-5 |
| Window & Door Types | 6-7 |
| New Construction, Remodeling & Replacement | 9 |
| Exterior & Interior Colors | 10 |
| Hardware | 11 |
| Glass Options | 12 |
| Grille & Insect Screen Options | 13 |
| Build Bigger Views | 14 |

100 SERIES WINDOWS

| | |
|--|----|
| Windows Overview | 15 |
| Casement Windows | 18 |
| Awning Windows | 25 |
| Single-Hung Windows | 30 |
| Gliding Windows | 52 |
| Picture, Transom & Specialty Windows | 66 |

100 SERIES PATIO DOORS

| | |
|--|----|
| Patio Doors Overview | 91 |
| Gliding Patio Doors | 93 |
| Patio Door Sidelights & Transoms | 95 |

| | |
|--|-----|
| Combination Designs | 99 |
| Product Performance | 102 |
| Installation Accessories & Information | 109 |
| Sustainability | 112 |

For warranty information, visit andersenwindows.com/warranty.



Andersen Corporation, including its subsidiaries, has been named a 2021 ENERGY STAR Partner of the Year – Sustained Excellence Award winner, the highest honor given by ENERGY STAR, for continued leadership in protecting the environment through superior energy efficiency achievements.

“ENERGY STAR” is a registered trademark of the U.S. Environmental Protection Agency.

AMERICA'S MOST LOVED BRAND OF WINDOWS & DOORS.*

You want to give your customers a home they love, and we're here to make that easy for you. That's why we're proud to offer you products that rate #1 in quality and performance,† and to be the #1 trusted and recommended window and door brand** by pros.

100 SERIES PRODUCTS

The best way to give your customers a modern look that's within budget and lasts!‡ The 100 Series product line is made from our proprietary Fibrex® material that's energy efficient, environmentally responsible and stronger than vinyl.

*2020 Andersen brand surveys of U.S. realtors, contractors and builders.

**2020 Andersen brand surveys of U.S. contractors, builders and architects. †See the limited warranty for details.

PERFORMANCE

100 Series products simply perform like modern windows and doors should. They're made from our proprietary Fibrex® material, which is extremely low maintenance and blocks thermal transfer 700 times better than aluminum to help your customers save money on heating and cooling costs.

ATTRACTIVE CORNER SEAMS

Low-visibility corner seams for a cleaner and more modern look.

COLORS THAT LAST

Durable factory-finished interiors and exteriors never need painting and won't fade, flake, blister or peel,* even in extreme cold or heat.

ATTRACTIVE MATTE INTERIORS

Premium matte finish isn't shiny like vinyl and is available in white, Sandtone, dark bronze and black.**

ENERGY EFFICIENT IN EVERY CLIMATE

Energy-efficient 100 Series products are available with options that make them ENERGY STAR® certified throughout the U.S. so they can help reduce heating and cooling bills.

Visit andersenwindows.com/energystar for more information and to verify that the product with your glass option is certified in your area.



EASY TO OPERATE FOR YEARS TO COME

All 100 Series products are tested to the extreme to deliver years* of smooth, reliable operation.

SUPERIOR WEATHER RESISTANCE

Our weather-resistant construction seals out drafts, wind and water so well that your reputation is protected whatever the weather.

QUALITY SO SOLID, THE WARRANTY IS TRANSFERABLE*

Many other window and door warranties end when a home is sold, but our coverage — 20 years on glass, 10 years on non-glass parts — transfers from each owner to the next. And because it's not prorated, the coverage offers full benefits year after year, owner after owner. So it can add real value when you decide to sell your home.

**OWNER2OWNER®
LIMITED WARRANTY**

DESIGNED FOR PERFORMANCE

100 Series products are designed to meet or exceed performance requirements in all 50 states† See pages 103-104 for details.



*Visit andersenwindows.com/warranty for details.

**Products with Sandtone, dark bronze and black interiors have matching exteriors.

†See your local code official for code requirements in your area.

††100SHS4066 DPUP IG +50/50 (AAMA/WDMA/CSA 101/1.5.2/A440-08 & -11). Optional PG50 performance grade upgrade is available for most sizes. For more information, visit andersenwindows.com/100series.

"ENERGY STAR" is a registered trademark of the U.S. Environmental Protection Agency.

DURABILITY

Think vinyl, only stronger. The proprietary Fibrex® material in our 100 Series products has all the benefits of vinyl while holding up better to weather and wear. This way, your customers' windows and doors are better protected from warping and cracking, even in tough climates.*



The finish on 100 Series products has superior scratch resistance compared to painted vinyl windows** so they'll look beautiful for years to come.



Fibrex material retains its stability and rigidity in all climates, delivering exceptional durability. It makes our 100 Series products rigid and strong so the weathertight seals stay weathertight.



100 Series products can withstand temperatures up to 150°F, even for dark colors, meaning they won't warp due to sun exposure.

*See the limited warranty for details.

**When 100 Series products were tested against five leading competitors' painted vinyl window products.



FIBREX® MATERIAL

Developed by Andersen, Fibrex material is a revolutionary structural composite material that blends the very best attributes of vinyl and wood. Fibrex material saves on natural resources because it's composed of 40% reclaimed wood fiber by weight. Special polymer formulations surround and fill each wood fiber, enabling top performance. The result is a material that provides uncommon value and enhances the quality of any project. In use for over two decades in Andersen® products, Fibrex material has proven its strength and durability in all types of climates.

REVOLUTIONARY BUILDING MATERIAL

- Twice as strong as vinyl so weathertight seals stay weathertight
- Blocks thermal transfer nearly 700 times better than aluminum to help reduce heating and cooling bills
- Retains its stability and rigidity in all climates for exceptional durability
- Offers superior scratch resistance compared to painted vinyl*

ENVIRONMENTALLY RESPONSIBLE

- Since Andersen developed the highly sustainable Fibrex material, reuse of waste wood fiber has prevented the harvesting of nearly 90 million board feet of timber
- 100 Series products can help builders earn LEED® points in three key categories: Energy & Atmosphere, Materials & Resources and Indoor Environmental Quality
- 100 Series products meet or exceed California Section 01350 Specification, a California indoor emission standard — one of the toughest in the country
- Like all Andersen products, 100 Series products are designed to last** and help reduce future waste streams



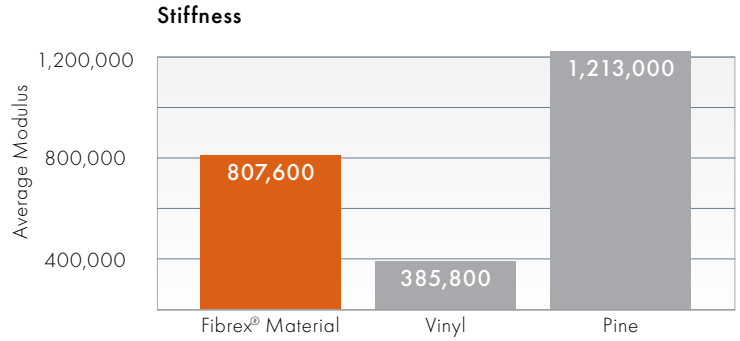
See how Andersen created Fibrex material at andersenwindows.com/fibrex.

*Visit andersenwindows.com/warranty for details.

**When tested against five leading competitors' painted vinyl window products.

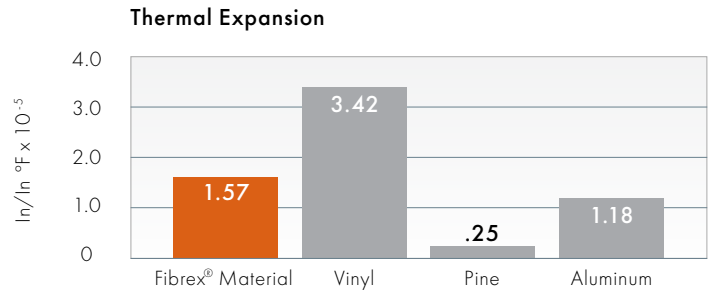
STABLE & PREDICTABLE

Fibrex® material is twice as stiff as vinyl. This strength makes it a better choice over time.



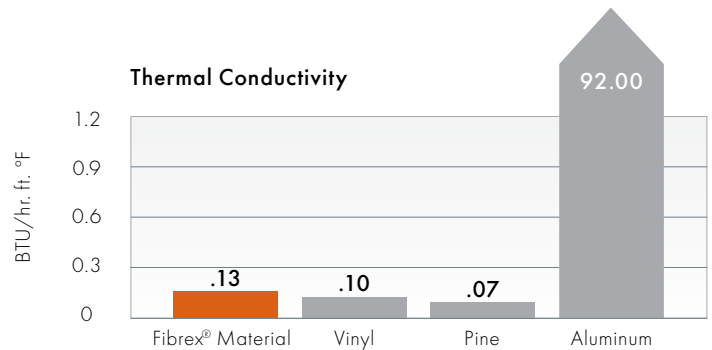
DURABLE & RELIABLE

All materials expand and contract when exposed to extreme temperatures. In these types of conditions, Fibrex material performs twice as well as vinyl, which can bow and crack over time.



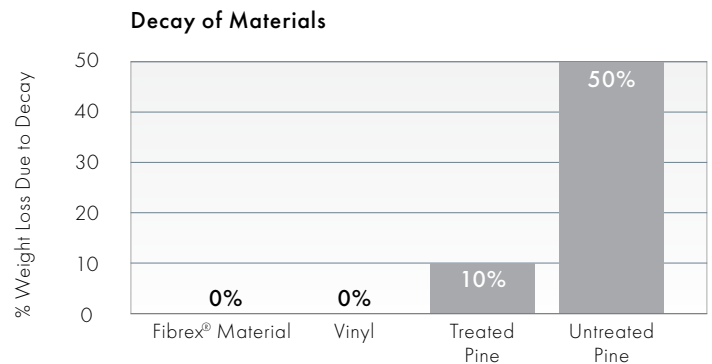
EXCELLENT INSULATOR

The built-in thermal qualities of Fibrex material mean that less heat and cold get transferred through the product into your customers' homes. As an insulator, it's on par with vinyl and far superior to aluminum.



MOISTURE RESISTANT

Because Fibrex material combines wood fiber and a special polymer formula, water has a tough time penetrating. The result is an increased resistance to rot.



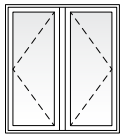
HEAT RESISTANT

Fibrex material can withstand temperatures in excess of 150°F, even for dark colors, making it a great fit for your projects in hot climates.

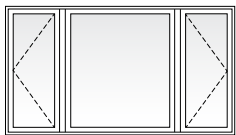
WINDOW & DOOR TYPES

CASEMENT & AWNING WINDOWS

Casement windows are hinged on the side and open outward to the left or right, while awning windows are hinged at the top and open outward. Both are also available as non-operating stationary windows.



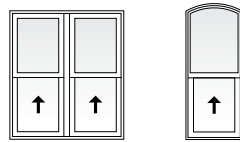
Twin Casement



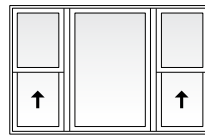
Picture With Flanking Casements

SINGLE-HUNG WINDOWS

Single-hung windows feature a fixed upper sash with an operable lower sash that slides up and down. For convenience, the hardware locks automatically when the window is closed. An arch single-hung is also available to add architectural interest.



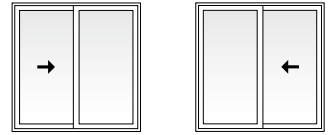
Twin Single-Hung Arch Single-Hung



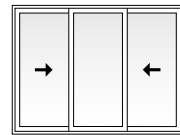
Picture With Flanking Single-Hungs

GLIDING WINDOWS

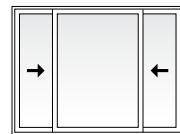
Gliding windows have one stationary sash and one operating sash that glides horizontally. A three-sash configuration, where two sash glide past a fixed center sash, is also available.



Gliding Active-Stationary Gliding Stationary-Active



Gliding Active-Stationary-Active, 1:1:1 Sash Ratio



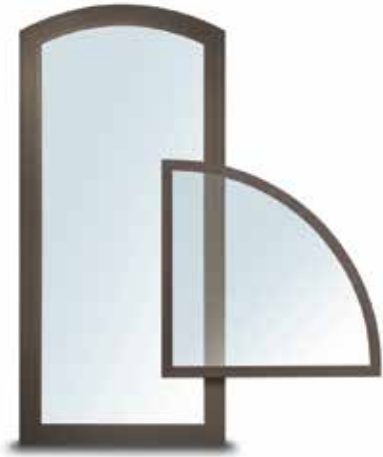
Gliding Active-Stationary-Active, 1:2:1 Sash Ratio



Available in custom sizes to fit all projects.

PICTURE, TRANSOM & SPECIALTY WINDOWS

Choose from a variety of shapes to make a signature statement or provide a delicate lighting accent. Shapes include picture, transom, half circle, quarter circle, circle, Springline™ and arch windows. Custom shapes are also available, including unequal leg arch, trapezoid, pentagon, octagon and triangle windows.



GLIDING PATIO DOORS

Patio doors feature one stationary panel and one operating panel that glides smoothly on adjustable rollers. They feature a multi-point locking system for enhanced security and an optional exterior keyed lock for convenience. Sidelights and transoms are also available.

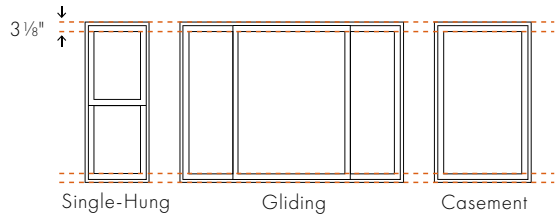


A man in a dark t-shirt is seen from the side, looking out a large window. The window is open, and the view outside shows a house with a gabled roof and some greenery. The text "FIBREX® MATERIAL" is overlaid in large, bold, black letters, with "STRONG ON PERFORMANCE." in smaller, bold, black letters below it.

FIBREX® MATERIAL
STRONG ON PERFORMANCE.

NEW CONSTRUCTION

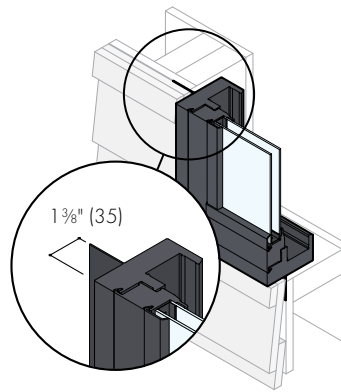
You'll find a 100 Series window or door to match any project from commercial to residential — no matter the location. And with uniform sight lines, it's easy to specify 100 Series products for the entire project.



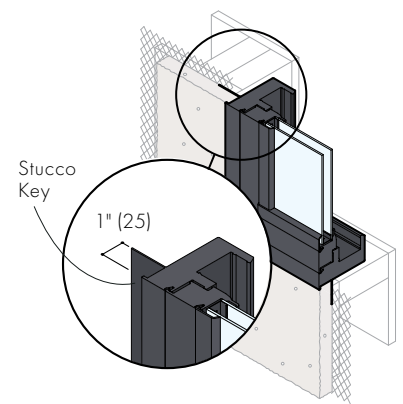
FRAME TYPES: 1 3/8" Flange Setback or 1" Flange Setback With Stucco Key

For new construction, both frames have an integral installation flange that makes installation into a new opening easy and helps make sure the windows and doors are weathertight. For stucco exteriors, choose the frame with the stucco key to eliminate gaps that can result from the natural contraction of exterior stucco.

- 3 1/8" (79) uniform sight lines allow for easy specification.
- An extension jamb attachment flange is available for easy application of extension jambs on the job site.
- Single-hung drywall pass-through windows have an upper sash that can be easily removed on the job site after the window is installed. With both sash removed, drywall can easily fit through upper floor windows.



1 3/8" (35) Flange Setback



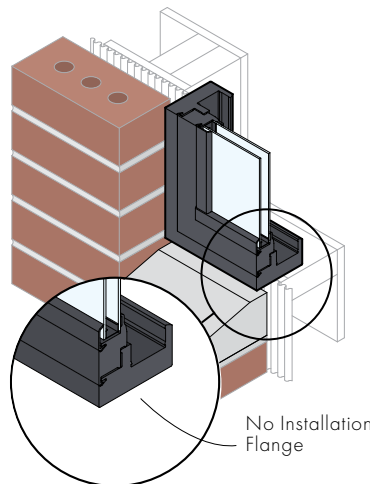
1" (25) Flange Setback With Stucco Key

REMODELING & REPLACEMENT

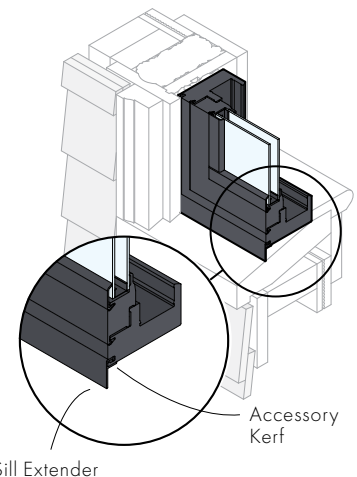
Whether you're adding or updating, Andersen® 100 Series windows and patio doors enhance any project with a variety of styles, shapes and colors, with custom sizing in 1/8" (3) increments. The no-flange frame options include pre-drilled, through-the-jamb installation holes and installation screws to save you time.

FRAME TYPES: No Flange or Insert

The no flange frame allows for full removal of an existing window in situations where the frame is rotten or damaged. The no flange window is then installed into the existing rough opening. The insert frame provides fast and easy window replacement when installing the window into an existing window frame without disturbing the interior or exterior trim, saving time and money. The exterior accessory kerf allows for convenient finishing of the window. An exterior sill extender is available to fill the gap at the sill. Exterior frame extenders and a head expander are also available.



No Flange



Insert

Dimensions in parenthesis are in millimeters.

EXTERIOR & INTERIOR COLORS

100 Series windows and patio doors come in five exterior colors, including dark bronze and black – colors that are darker and richer than those of most vinyl windows. The interiors feature a premium matte finish for an attractive appearance.

EXTERIOR COLORS



White

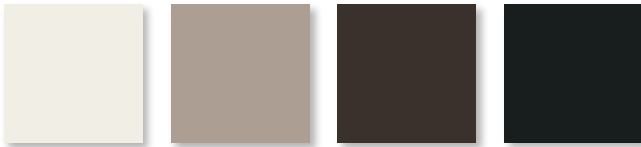
Sandtone

Terratone

Dark Bronze

Black

INTERIOR COLORS



White

Sandtone*

Dark Bronze*

Black*

*Products with Sandtone, dark bronze and black interiors have matching exteriors. Printing limitations prevent exact duplication of colors. See your Andersen supplier for actual color samples.





HARDWARE

Casement & Awning Windows



Antique Brass | Black | Dark Bronze
Sandtone | Satin Nickel | White

Folding handles avoid interference with window treatments.

Single-Hung & Gliding Windows



Standard Lock



Optional Lift/Pull

Hardware color matches the window's interior color. Shown in white.



Optional Metal Slim Line Lock

Antique Brass | Black | **Dark Bronze**
Sandtone | Satin Nickel | White

Both lock styles automatically engage when window is closed.

Bold name denotes finish shown.

Gliding Patio Doors



Standard Handle

Optional Handle

TULSA

AFTON

Exterior handle matches the door's exterior color. Interior handle matches the door's interior color. Dark bronze exterior and white interior shown.

Antique Brass | Black
Bright Brass | **Satin Nickel**

Optional auxiliary foot lock is available to secure the gliding panel and provides an extra measure of security when the door is in a locked position. See page 92.

Bold name denotes finish shown.

GLASS OPTIONS

Andersen has the glass you need to get the performance you want, with options for every climate, project and customer. Check with your supplier for the selections that meet ENERGY STAR® requirements in your area.

| GLASS | | ENERGY | | LIGHT | |
|----------------------------------|---|---|---|--|--|
| | | U-Factor How well a product prevents heat from escaping. | Solar Heat Gain Coefficient How well a product blocks heat caused by sunlight. | Visible Light Transmittance How much visible light comes through a product. | UV Protection How well a product blocks ultraviolet rays. |
| SmartSun™ | Thermal control similar to tinted glass, with visible light transmittance similar to Low-E glass. | ● ● ● ○ | ● ● ● ● | ● ● ● ○ | ● ● ● ● |
| SmartSun with HeatLock® Coating | Applied to the room-side surface, it reflects heat back into the home and improves U-Factor values. | ● ● ● ● | ● ● ● ● | ● ● ○ ○ | ● ● ● ● |
| Low-E | Outstanding overall performance for climates where both heating and cooling costs are a concern. | ● ● ● ○ | ● ● ● ○ | ● ● ● ○ | ● ● ● ○ |
| Low-E with HeatLock Coating | Applied to the room-side surface, it reflects heat back into the home and improves U-Factor values. | ● ● ● ● | ● ● ● ○ | ● ● ● ○ | ● ● ● ○ |
| Sun | Outstanding thermal control in southern climates where less solar heat gain is desired. | ● ● ● ○ | ● ● ● ● | ● ○ ○ ○ | ● ● ● ○ |
| PassiveSun® | Ideal for northern, passive solar construction applications where solar heat gain is desired. | ● ● ● ○ | ● ○ ○ ○ | ● ● ● ○ | ● ● ● ○ |
| PassiveSun with HeatLock Coating | Applied to the room-side surface, it reflects heat back into the home and improves U-Factor values. | ● ● ● ○ | ● ○ ○ ○ | ● ● ● ○ | ● ● ● ○ |
| Clear Dual-Pane | High visibility with basic thermal performance. | ● ○ ○ ○ | ○ ○ ○ ○ | ● ● ● ● | ○ ○ ○ ○ |

Center of glass performance only. Ratings based on glass options as of January 2022. Visit andersenwindows.com/energystar for ENERGY STAR map and NFRC total unit performance data.

HEATLOCK TECHNOLOGY

Applied to the room-side glass surface, HeatLock coating reflects heat back into the home for improved performance.

TIME-SAVING FILM

We protect our products during delivery and construction with translucent film on the glass that peels away for a virtually spotless window.

For more details on our glass options, visit andersenwindows.com/glass.



ADDITIONAL GLASS OPTIONS

Tempered safety glass is standard on patio doors and required for larger window sizes.

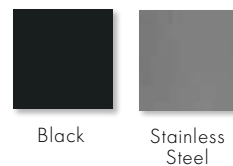
Patterned glass lets in light while obscuring vision and adds a unique, decorative touch. Cascade and Reed patterns can be ordered with either a vertical or horizontal orientation.



GLASS SPACER OPTIONS

In addition to stainless steel glass spacers, black glass spacers are now available as a standard offering to provide another way to customize project designs and achieve a contemporary style. Black glass spacers blend in with the color of the window or door for a sleek design, or serve as a shadow line.

Add full divided light grilles, and the grille spacer bar between the glass will match the selected glass spacer color.



GRILLE OPTIONS

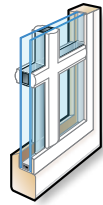
Grilles for Andersen® 100 Series windows and patio doors are available in a wide variety of patterns to complement virtually any style of home. Plus, they have options for easy cleaning and architectural authenticity many vinyl windows can't match.



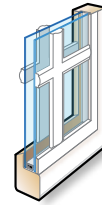
Finelight grilles-between-the-glass



Finelight grilles-between-the-glass with permanent exterior grilles



Permanent exterior and permanent interior grilles with spacer



Permanent exterior and permanent interior grilles with no spacer

FINELIGHT™ GRILLES BETWEEN-THE-GLASS

Make glass easy to clean and have an elegant, sculpted profile. Choose a two-sided color scheme to match both the interior and exterior of the window or patio door. Also available with exterior grilles to provide architectural style and detail.

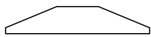
FULL DIVIDED LIGHT

Permanently applied to the exterior and interior of the window, with a spacer between the glass.

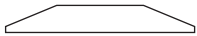
SIMULATED DIVIDED LIGHT

Permanently applied to the exterior and interior of the window, with no spacer between the glass.

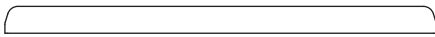
Grille Bar Widths Actual width shown.



3/4" (19) width grille bar for windows.

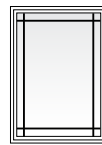


1" (25) width grille bar for patio doors.

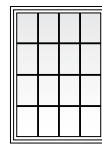


A 2 1/4" (57) width profile is available for most units to simulate a meeting rail or a multi-unit combination, such as a transom over a window or patio door.

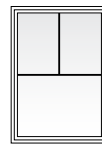
Grille Patterns



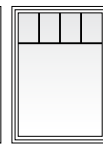
Prairie A



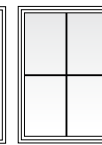
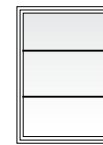
Colonial



Tall Fractional



Short Fractional



Specified Equal Light*

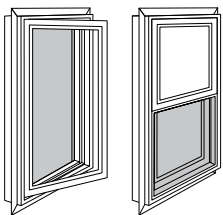


Custom J

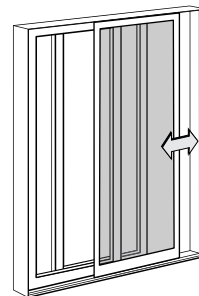
NEW!

To see all of the standard patterns available for a specific window or door, refer to the detailed product sections in this product guide or contact your Andersen supplier.

INSECT SCREEN OPTIONS



Insect screens for venting windows have a fiberglass screen mesh. Optional TruScene® insect screens are made with a micro-fine stainless steel mesh, providing 50% greater clarity than our conventional insect screens. Insect screen frames for casement and awning windows are color matched to the product interior and for single-hung and gliding windows are matched to the product exterior.



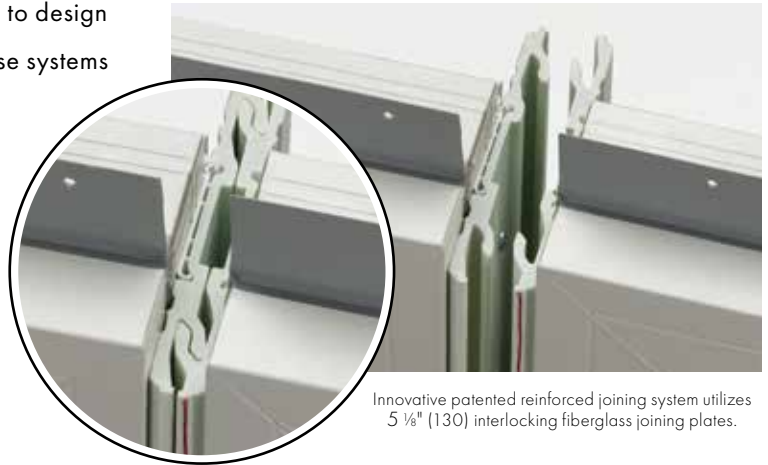
Gliding insect screens for 2-panel gliding patio doors have a fiberglass screen mesh. Insect screen frames for doors are color matched to the product exterior.

*Specify number of same-size rectangles across or down. Dimensions in parentheses are in millimeters.

AN EASIER WAY TO BUILD BIGGER VIEWS

Our unique reinforced joining systems make it easier for you to design and install large window combinations in your projects. These systems use strong, fiberglass construction and can be joined at our factory, on the job site, or even within a rough opening — wherever works best for you. This way you can easily and confidently build bigger views for your customers.

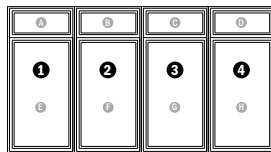
Non-reinforced joining options include factory-joined combinations or field joining kits. For more information, visit andersenwindows.com/joining.



Innovative patented reinforced joining system utilizes 5 1/8" (130) interlocking fiberglass joining plates.

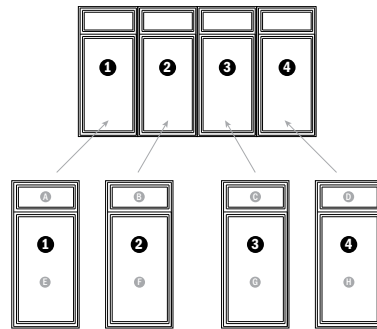
Reinforced Factory-Joined Combinations

Eliminate the need for job site assembly and receive fully joined, factory-assembled window combinations to fit rough openings up to 12' (3658) x 8' (2438) or 8' (2438) x 12' (3658).

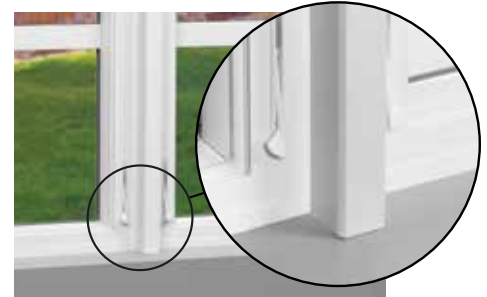


Reinforced Easy Connect Joining System

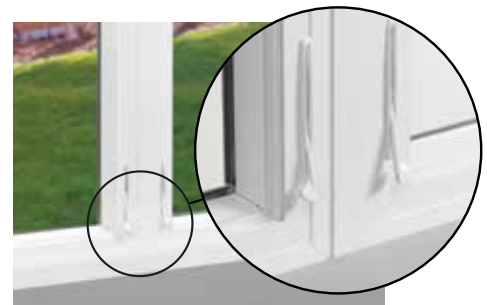
Receive lighter, easier-to-handle, pre-assembled smaller combinations that join as you install them into the rough opening, making it easier to install large combinations. In fact, most contractors surveyed said they could reduce the number of installers by 50% using the Andersen Easy Connect Joining System.*



Reinforced & Non-Reinforced Interiors



Appearance of a reinforced join.



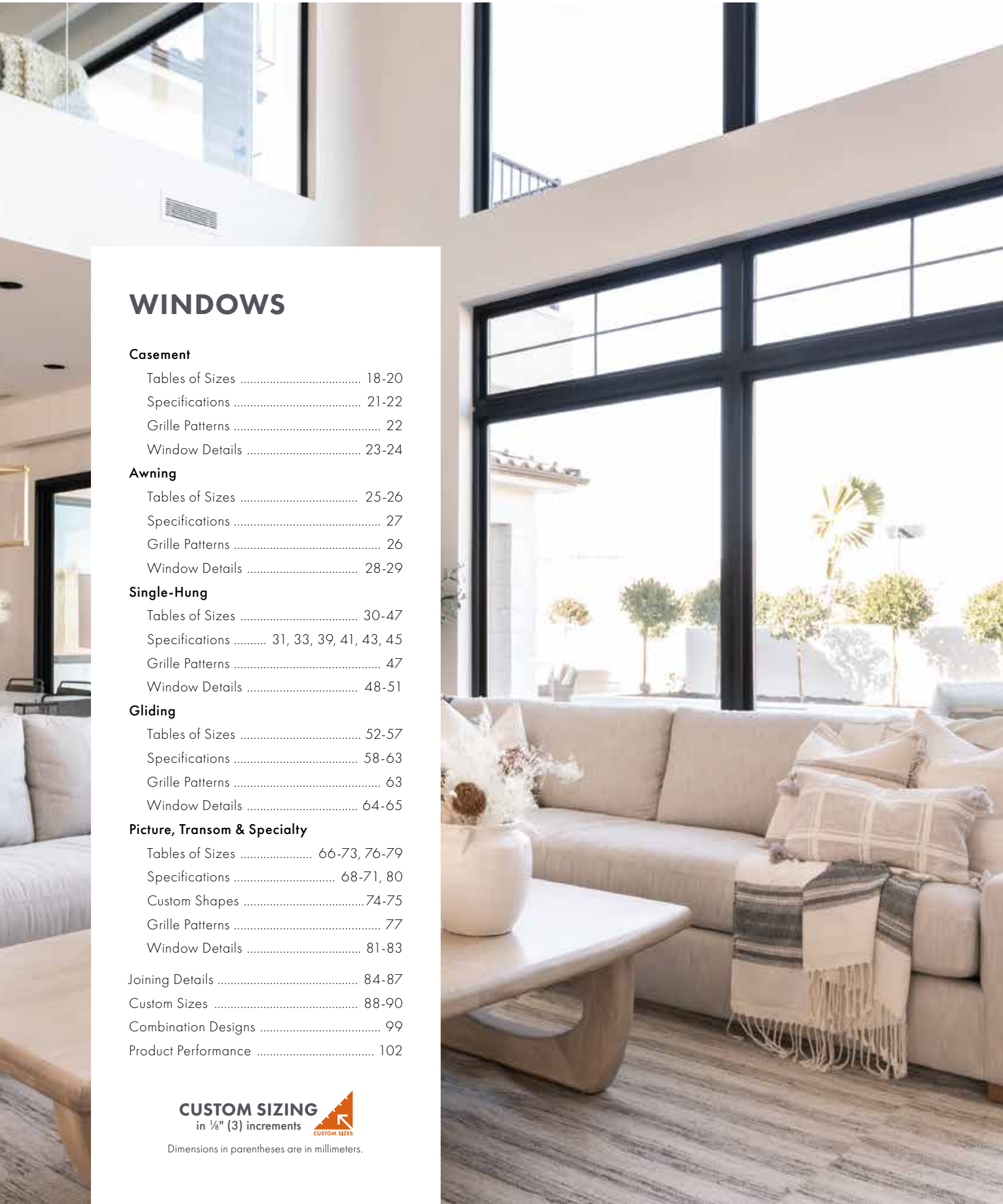
Appearance of a non-reinforced join.

| | ASSEMBLY | READY TO INSTALL | NUMBER OF INSTALLERS* | HALLMARK CERTIFIED** | TESTED TO AAMA 450 | PERFORMANCE | COMBINATION SIZE LIMITATIONS |
|--|----------------|------------------|-----------------------|----------------------|--------------------|--|--|
| REINFORCED FACTORY-JOINED COMBINATIONS | FACTORY | ● | MORE | ● | ● | EXTENSIVE UNIT COMBINATION SIZE OPTIONS AVAILABLE CERTIFIED TO PG50** | MAX. JOIN LENGTH: 12' MAX. JOINED COMBINATION: 12' x 8' or 8' x 12' 96 sq. ft. or 8.92 m ² |
| REINFORCED JOINING KITS | JOB SITE | | MORE | ● | ● | EXTENSIVE UNIT COMBINATION SIZE OPTIONS AVAILABLE CERTIFIED TO PG50** | MAX. JOIN LENGTH: 12' MAX. JOINED COMBINATION: 16' x 9' or 12' x 12' 144 sq. ft. or 13.34 m ² |
| REINFORCED FACTORY-PREPARED EASY CONNECT JOINING SYSTEM | IN THE OPENING | ● | FEWER | ● | ● | EXTENSIVE UNIT COMBINATION SIZE OPTIONS AVAILABLE CERTIFIED TO PG50** | MAX. JOIN LENGTH: 12' MAX. JOINED COMBINATION HEIGHT: 16' NO MAXIMUM WIDTH |
| NON-REINFORCED FACTORY-JOINED COMBINATIONS | FACTORY | ● | MORE | ● | ● | EXTENSIVE UNIT COMBINATION SIZE OPTIONS AVAILABLE CERTIFIED UP TO PG50** | MAX. JOIN LENGTH: 8' MAX. JOINED COMBINATION: 12' x 8' or 8' x 12' 96 sq. ft. or 8.92 m ² |
| NON-REINFORCED JOINING KITS | JOB SITE | | MORE | ● | ● | EXTENSIVE UNIT COMBINATION SIZE OPTIONS AVAILABLE CERTIFIED UP TO PG50** | MAX. JOIN LENGTH: 8' MAX. JOINED COMBINATION: 12' x 8' or 8' x 12' 96 sq. ft. or 8.92 m ² |

*69% of 156 builders/general contractors in a 2018 survey said they could reduce the number of installers by half using the Easy Connect Joining System when comparing the installation of a 12' (3658) wide x 8' (2438) high pre-assembled window combination unit with four 3' (914) wide x 8' (2438) high window combination units.

**When installed according to Andersen installation instructions.

Dimensions in parentheses are in millimeters.



WINDOWS

Casement

Tables of Sizes 18-20
 Specifications 21-22
 Grille Patterns 22
 Window Details 23-24

Awning

Tables of Sizes 25-26
 Specifications 27
 Grille Patterns 26
 Window Details 28-29

Single-Hung

Tables of Sizes 30-47
 Specifications 31, 33, 39, 41, 43, 45
 Grille Patterns 47
 Window Details 48-51

Gliding

Tables of Sizes 52-57
 Specifications 58-63
 Grille Patterns 63
 Window Details 64-65

Picture, Transom & Specialty

Tables of Sizes 66-73, 76-79
 Specifications 68-71, 80
 Custom Shapes 74-75
 Grille Patterns 77
 Window Details 81-83

Joining Details 84-87
 Custom Sizes 88-90
 Combination Designs 99
 Product Performance 102

CUSTOM SIZING
 in 1/8" (3) increments 

Dimensions in parentheses are in millimeters.

FEATURES

CASEMENT & AWNING

FRAME

A The frame is constructed with Fibrex® composite material. This construction produces a rigid frame.

B Durable, low-maintenance finish won't fade, flake, blister or peel.*

Concealed receiving brackets mounted on the hinge side of the frame keep the sash tightly secured within the window frame when closed.

C Four frame options are available. See "Common Features" for details.

SASH

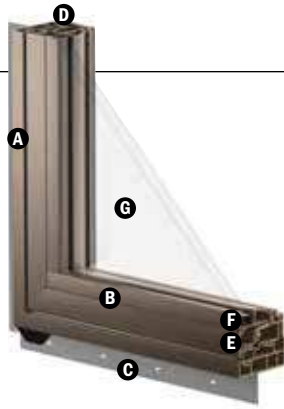
D Fibrex material construction provides long-lasting performance.* The sash, finished with a durable capping, provides maximum protection and a matte, low-maintenance finish.

E The dual weatherstrip system combines both an exterior watershed design and a bulb weatherstrip seal between the sash and frame. The result is a long-lasting, energy-efficient barrier against wind, water and dust.

GLASS

F A glazing bead and silicone provide superior weathertightness and durability.

G See "Common Features" for details.



HARDWARE

Sash operator provides almost effortless opening and closing, regardless of window size. Long-lasting stainless steel hinge channels are used at the head and sill to provide easy operation.

Single-Action Casement Lock

A single-action lock easily releases all concealed locking points on the casement sash. The color or finish of the lock hardware matches the handle.

Awning Sash Locks



Awning sash locks provide an added measure of security and weathertightness. Awning hardware style and color options are compatible with 100 Series casement windows to ensure a consistent appearance when used in combination designs.

SINGLE-HUNG

FRAME

A The frame is constructed with Fibrex composite material. This construction produces a rigid frame.

B A durable, side-loaded balancer provides for easy sash opening and closing. The lower sash can be removed without the use of tools.

C Durable, low-maintenance finish won't fade, flake, blister or peel.*

D Four frame options are available. See "Common Features" for details.

E Weep holes are located on the exterior nose of the sill for proper water management.

SASH

The lower sash has a meeting rail cover with a unique raised profile design, allowing the sash to be opened and closed easily.

F Fibrex material construction provides long-lasting performance.* The sash, finished with a durable capping, provides maximum protection and a matte, low-maintenance finish.

G Dual felt weatherstrip provides a long-lasting, energy-efficient barrier against wind, water and dust.



GLASS

H A glazing bead and silicone provide superior weathertightness and durability.

I See "Common Features" for details.

HARDWARE

Sash Lock

The sash lock engages automatically when the lower sash is closed. The standard sash lock matches the window's interior color.

ADDITIONAL SASH & SHAPE OPTIONS



Reverse Cottage Sash



Arch Single-Hung

COMMON FEATURES

FRAME

Four frame options include:

- 1 3/8" (35) flange setback for siding applications. An integral rigid vinyl flange helps seal the unit to the structure.
- 1" (25) flange setback with stucco key. An integral rigid vinyl flange helps seal the unit to the structure.
- No-flange option for window replacement in an existing framed opening.
- Insert option for window replacement in an existing window frame.

*Visit andersenwindows.com/warranty for details.

**Products with Sandtone, dark bronze and black interiors have matching exteriors. Dimensions in parentheses are in millimeters. Printing limitations prevent exact duplications of colors. See your Andersen supplier for actual color samples.

GLASS

High-Performance options include:

- Low-E SmartSun™ glass
- Low-E SmartSun HeatLock® glass
- Low-E glass
- Low-E HeatLock glass
- Low-E Sun glass
- Low-E PassiveSun® glass
- Low-E PassiveSun HeatLock glass
- Clear Dual-Pane glass

Tempered laminated and other glass options are available. Contact your Andersen supplier.

A removable translucent film helps shield the glass from damage during delivery and construction, and simplifies finishing at the job site.

Patterned Glass

Patterned glass options are available. See page 12 for more details.

Glass Spacers



Black glass spacer

Glass spacers are now available in black, in addition to stainless steel, to provide more ways to customize project designs and achieve a contemporary look. (E-Series window is shown above.)

Performance Grade (PG) Upgrades

Optional performance grade upgrades are available for select sizes allowing units to achieve PG50. Performance Grade (PG) ratings are more comprehensive than Design Pressure (DP) ratings for measuring product performance. Choosing the PG50 upgrade doesn't change the appearance of the unit.

COLOR OPTIONS

EXTERIOR COLORS



White



Sandtone



Terratone



Dark Bronze



Black

INTERIOR COLORS



White



Sandtone**



Dark Bronze**



Black**

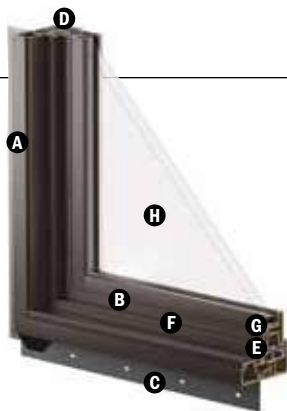
GLIDING

FRAME

- A** The frame is constructed with Fibrex® composite material. This construction produces a rigid frame.
- B** Durable, low-maintenance finish won't fade, flake, blister or peel.*
- C** Four frame options are available. See "Common Features" for details.

SASH

- The operating sash has a meeting stile cover with a unique raised profile design, allowing the sash to be opened and closed easily.
- D** Fibrex material construction provides long-lasting performance.* The sash, finished with a durable capping, provides maximum protection and a matte, low-maintenance finish.
 - E** Dual felt weatherstrip provides a long-lasting,* energy-efficient barrier against wind, water and dust.
 - F** Operating sash has four metal rollers mounted at the bottom for easy, smooth travel over the sill.



GLASS

- G** A glazing bead and silicone provide superior weathertightness and durability.
- H** See "Common Features" for details.

HARDWARE

Sash Lock

The sash lock engages automatically when the operable sash is closed. The standard sash lock matches the window's interior color.

PICTURE, TRANSOM & SPECIALTY

FRAME

- A** The frame is constructed with Fibrex composite material. This construction produces a rigid frame.
- B** Durable, low-maintenance finish won't fade, flake, blister or peel.*
- C** Four frame options are available. See "Common Features" for details.

GLASS

- D** A glazing bead and silicone provide superior weathertightness and durability.
- E** See "Common Features" for details.

SHAPES

Along with rectangular windows, half circle, quarter circle, circle, Springline™ and arch windows are available in both standard and custom sizes. Custom windows are also available in unequal leg arch, trapezoid, pentagon, octagon and triangle shapes.



HARDWARE

Casement & Awning



Antique Brass | Black
Dark Bronze | Sandtone
Satin Nickel | White

Folding handles avoid interference with window treatments.

Single-Hung & Gliding



Standard Lock Optional Lift/Pull
Hardware color matches the window's interior color.



Optional Slim Line Metal Lock
Antique Brass | Black | **Dark Bronze**
Sandtone | Satin Nickel | White

Bold name denotes color or finish shown.

HARDWARE FINISHES



Antique Brass Black Dark Bronze Sandtone Satin Nickel White

ACCESSORIES Sold Separately

HARDWARE

Window Opening Control Device

A window opening control device is available for casement, single-hung and gliding windows, which limits sash travel to less than 4" (102) when the window is first opened. Available factory applied, or as a field-applied kit in stone, white and black.

Vent Limiter for Awning Windows

A vent limiter is available for awning windows, which prevents opening the sash more than 4" (102). Available factory applied or as a field-applied kit.

GRILLES

Grilles are available in a variety of configurations. See page 13 for details.

INSECT SCREENS

Conventional Insect Screens

Insect screens have charcoal gray fiberglass screen mesh. For casement and awning windows, frames are color matched to the product interior. For single-hung and gliding windows, stainless steel springs hold the insect screen tightly to the window frame, and their frames are available in colors to match the product exterior.

TruScene® Insect Screens

Andersen® TruScene insect screens let in over 25% more fresh air** and provide 50% greater clarity than conventional Andersen insect screens, all while keeping out unwanted small insects. For casement and awning windows, the frame color matches the product interior. For single-hung and gliding windows, the frame color matches the product exterior.

*Visit andersenwindows.com/warranty for details.

**TruScene insect screens let in over 25% more fresh air than standard Andersen fiberglass insect screens.

Dimensions in parentheses are in millimeters. Printing limitations prevent exact replication of colors and finishes. See your Andersen supplier for actual color and finish samples.

CASEMENT & AWNING WINDOWS

Table of Casement Window Sizes

Scale 1/8" (3) = 1'-0" (305) – 1:96

| Window Dimension | 1'-5 1/2" | 1'-11 1/2" | 2'-5 1/2" | 2'-11 1/2" |
|------------------------------|-----------|------------|-----------|------------|
| | (445) | (597) | (749) | (902) |
| Minimum Rough Opening | 1'-6" | 2'-0" | 2'-6" | 3'-0" |
| | (457) | (610) | (762) | (914) |
| Unobstructed Glass | 11 1/4" | 17 1/4" | 23 1/4" | 29 1/4" |
| | (286) | (438) | (591) | (743) |

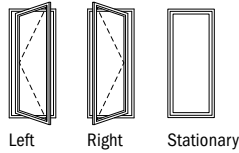


| Window Dimension | CUSTOM WIDTHS – 17 1/2" to 35 1/2" | | | |
|------------------|------------------------------------|-------|--------|---------|
| | 17 1/2" | 20" | 26" | 30" |
| 1'-11 1/2" | (597) | 2'-0" | (610) | 17 1/4" |
| 2'-5 1/2" | (749) | 2'-6" | (762) | 23 1/4" |
| 2'-11 1/2" | (902) | 3'-0" | (914) | 29 1/4" |
| 3'-5 1/2" | (1054) | 3'-6" | (1067) | 35 1/4" |
| 3'-11 1/2" | (1207) | 4'-0" | (1219) | 41 1/4" |
| 4'-5 1/2" | (1359) | 4'-6" | (1372) | 47 1/4" |
| 4'-11 1/2" | (1511) | 5'-0" | (1524) | 53 1/4" |
| 5'-5 1/2" | (1664) | 5'-6" | (1676) | 59 1/4" |
| 5'-11 1/2" | (1816) | 6'-0" | (1829) | 65 1/4" |

| CUSTOM HEIGHTS – 23 1/2" to 71 1/2" | CUSTOM WIDTHS – 17 1/2" to 35 1/2" | | | |
|-------------------------------------|------------------------------------|------|-------------------|-------------------|
| | 17 1/2" | 20" | 26" | 30" |
| 23 1/2" | 1620 | 2020 | 2620 | 3020 |
| 26" | 1626 | 2026 | 2626 | 3026 |
| 29 1/4" | 1630 | 2030 | 2630 | 3030 |
| 32 1/2" | 1636 | 2036 | 2636 | 3036 ^o |
| 36" | 1640 | 2040 | 2640 ^o | 3040 ^o |
| 39 1/4" | 1646 | 2046 | 2646 ^o | 3046 ^o |
| 43" | 1650 | 2050 | 2650 ^o | 3050 ^o |
| 46 1/4" | 1656 | 2056 | 2656 ^o | 3056 ^o |
| 50" | 1660 | 2060 | 2660 ^o | 3060 ^o |

Custom-size windows are available in 1/8" (3) increments.

See page 88 for custom sizes and specifications.



Choose left, right or stationary as viewed from the exterior. Right venting shown in table.

Details shown on pages 23-24.

Grille patterns shown on page 22.

* "Window Dimension" always refers to outside frame-to-frame dimension.
 • "Minimum Rough Opening" dimensions may need to be increased to allow for use of building wraps, flashing, sill panning, brackets, fasteners or other items. See page 110 for more details.
 • Dimensions in parentheses are in millimeters.
 ◊ Meets or exceeds clear opening area of 5.7 sq. ft. or 0.53 m², clear opening width of 20" (508) and clear opening height of 24" (610). See table on page 21.

Table of Twin Casement Window Sizes

Scale 1/8" (3) = 1'-0" (305) – 1:96

| Window Dimension | 2'-11 1/2" (902) | 3'-5 1/2" (1054) | 3'-11 1/2" (1207) | 4'-5 1/2" (1359) | 4'-11 1/2" (1511) | 5'-5 1/2" (1664) | 5'-11 1/2" (1816) |
|--|---------------------|---------------------|----------------------|---------------------|----------------------|---------------------|----------------------|
| Minimum Rough Opening | 3'-0" (914) | 3'-6" (1067) | 4'-0" (1219) | 4'-6" (1372) | 5'-0" (1524) | 5'-6" (1676) | 6'-0" (1829) |
| Unobstructed Glass (width of single sash) | 11 1/4" (286) | 14 1/4" (362) | 17 1/4" (438) | 20 1/4" (514) | 23 1/4" (591) | 26 1/4" (667) | 29 1/4" (743) |
| 11 1/2" (292) | | | | | | | |
| 1'-0" (305) | | | | | | | |
| 1'-6" (405) | | | | | | | |
| 1'-11 1/2" (445) | | | | | | | |
| 1'-5 1/2" (457) | | | | | | | |
| 1'-11 1/2" (597) | | | | | | | |
| 2'-0" (610) | | | | | | | |
| 17 1/4" (438) | | | | | | | |
| CUSTOM WIDTHS – 35 1/2" to 71 1/2" | | | | | | | |
| 1'-11 1/2" (597) | | | | | | | |
| 2'-5 1/2" (749) | | | | | | | |
| 2'-0" (610) | | | | | | | |
| 2'-11 1/2" (902) | | | | | | | |
| 3'-0" (914) | | | | | | | |
| 29 1/4" (743) | | | | | | | |
| 3'-5 1/2" (1054) | | | | | | | |
| 3'-6" (1067) | | | | | | | |
| 35 1/4" (895) | | | | | | | |
| 3'-11 1/2" (1207) | | | | | | | |
| 4'-0" (1219) | | | | | | | |
| 41 1/4" (1048) | | | | | | | |
| 4'-5 1/2" (1359) | | | | | | | |
| 4'-6" (1372) | | | | | | | |
| 47 1/4" (1200) | | | | | | | |
| 4'-11 1/2" (1511) | | | | | | | |
| 5'-0" (1524) | | | | | | | |
| 53 1/4" (1353) | | | | | | | |
| 4'-5 1/2" (1359) | | | | | | | |
| 4'-6" (1372) | | | | | | | |
| 47 1/4" (1200) | | | | | | | |
| 5'-5 1/2" (1664) | | | | | | | |
| 5'-6" (1676) | | | | | | | |
| 59 1/4" (1505) | | | | | | | |
| 5'-11 1/2" (1816) | | | | | | | |
| 6'-0" (1829) | | | | | | | |
| 65 1/4" (1657) | | | | | | | |



Custom-size windows are available in 1/8" (3) increments. See page 88 for custom sizes and specifications.

Choose left, right or stationary as viewed from the exterior. In addition to venting shown, other standard configurations are available. Windows have one continuous outer frame.

Twin transoms are also shown. See pages 70-71 for more information.

Details shown on pages 23-24. Grille patterns shown on page 22.

100 Series Casement & Awning Windows

*"Window Dimension" always refers to outside frame-to-frame dimension.
 **"Minimum Rough Opening" dimensions may need to be increased to allow for use of building wraps, flashing, sill panning, brackets, fasteners or other items. See page 110 for more details.
 •Dimensions in parentheses are in millimeters.
 ◊Meets or exceed clear opening area of 5.7 sq. ft. or 0.53 m², clear opening width of 20" (508) and clear opening height of 24" (610). See table on pages 21-22.

CASEMENT & AWNING WINDOWS

Table of Sizes - Picture Window With Flanking Casements

Scale 1/8" (3) = 1'-0" (305) – 1:96

| Window Dimension | 5'-11 1/2" (1816) | 7'-11 1/2" (2426) | 9'-11 1/2" (3035) | 11'-11 1/2" (3645) |
|---|----------------------|----------------------|----------------------|-----------------------|
| Minimum Rough Opening | 6'-0" (1829) | 8'-0" (2438) | 10'-0" (3048) | 12'-0" (3658) |
| Unobstructed Glass (width of center sash) | 29 1/4" (743) | 41 1/4" (1048) | 53 1/4" (1353) | 65 1/4" (1657) |
| Unobstructed Glass (width of single flanking sash) | 11 1/4" (286) | 17 1/4" (438) | 23 1/4" (591) | 29 1/4" (743) |

| | | | | | | |
|----------------------|-----------------|-------------------|-------------|--|--|--|
| 11 1/2" (292) | 1'-0" (305) | 5 1/4" (133) | | | | |
| 16-3010-16 | 20-4010-20 | 26-5010-26 | 30-6010-30 | | | |
| 1'-5 1/2" (445) | 1'-6" (457) | 11 1/4" (286) | | | | |
| 16-3016-16 | 20-4016-20 | 26-5016-26 | 30-6016-30 | | | |
| 1'-11 1/2" (597) | 2'-0" (610) | 17 1/4" (438) | | | | |
| 16-3020-16 | 20-4020-20 | 26-5020-26 | 30-6020-30 | | | |
| 1'-11 1/2" (597) | 2'-0" (610) | 17 1/4" (438) | | | | |
| 16-3020-16 | 20-4020-20 | 26-5020-26 | 30-6020-30 | | | |
| 2'-5 1/2" (749) | 2'-6" (762) | 23 1/4" (591) | | | | |
| 16-3026-16 | 20-4026-20 | 26-5026-26 | 30-6026-30 | | | |
| 2'-11 1/2" (902) | 3'-0" (914) | 29 1/4" (743) | | | | |
| 16-3030-16 | 20-4030-20 | 26-5030-26 | 30-6030-30 | | | |
| 3'-5 1/2" (1054) | 3'-6" (1067) | 35 1/4" (895) | | | | |
| 16-3036-16 | 20-4036-20 | 26-5036-26 | 30-6036-30° | | | |
| 3'-11 1/2" (1207) | 4'-0" (1219) | 41 1/4" (1048) | | | | |
| 16-3040-16 | 20-4040-20 | 26-5040-26° | 30-6040-30° | | | |
| 4'-5 1/2" (1359) | 4'-6" (1372) | 47 1/4" (1200) | | | | |
| 16-3046-16 | 20-4046-20 | 26-5046-26° | 30-6046-30° | | | |
| 4'-11 1/2" (1511) | 5'-0" (1524) | 53 1/4" (1353) | | | | |
| 16-3050-16 | 20-4050-20 | 26-5050-26° | 30-6050-30° | | | |
| 5'-5 1/2" (1664) | 5'-6" (1676) | 59 1/4" (1505) | | | | |
| 16-3056-16 | 20-4056-20 | 26-5056-26° | 30-6056-30° | | | |
| 5'-11 1/2" (1816) | 6'-0" (1829) | 65 1/4" (1657) | | | | |
| 16-3060-16 | 20-4060-20 | 26-5060-26° | 30-6060-30° | | | |

Choose left, right or stationary as viewed from the exterior. In addition to venting shown, other standard configurations are available. Windows have one continuous outer frame.

Transoms are also shown. See pages 70-71 for more information.

Details shown on pages 23-24. Grille patterns shown on page 22.

* "Window Dimension" always refers to outside frame-to-frame dimension.
 • "Minimum Rough Opening" dimensions may need to be increased to allow for use of building wraps, flashing, sill panning, brackets, fasteners or other items. See page 110 for more details.
 • Dimensions in parentheses are in millimeters.
 ◊ Meets or exceeds clear opening area of 5.7 sq. ft. or 0.53 m², clear opening width of 20" (508) and clear opening height of 24" (610).

CASEMENT & AWNING WINDOWS

Twin Casement Window Opening and Area Specifications (continued)

| Window Number | Clear Opening Area Sq. Ft./ (m^2) | Clear Opening in Full Open Position | | Glass Area Sq. Ft./ (m^2) | Vent Area Sq. Ft./ (m^2) | Top of Subfloor to Top of Inside Sill Stop Inches/(mm) | Overall Window Area Sq. Ft./ (m^2) | Hinge Type |
|--------------------|--|-------------------------------------|-----------------------|--------------------------------|-------------------------------|---|---|----------------------|
| | | Width Inches/(mm) | Height Inches/(mm) | | | | | |
| 2026-2 | 1.88 (0.18) | 11 3/8" (289) | 23 13/16" (605) | 5.57 (0.52) | 5.89 (0.55) | 55 9/16" (1411) | 9.73 (0.90) | wash mode |
| 2030-2 | 2.36 (0.22) | 11 3/8" (289) | 29 13/16" (757) | 7.01 (0.65) | 7.37 (0.68) | 49 9/16" (1259) | 11.71 (1.09) | wash mode |
| 2036-2 | 2.83 (0.26) | 11 3/8" (289) | 35 13/16" (909) | 8.45 (0.78) | 8.86 (0.82) | 43 9/16" (1106) | 13.69 (1.27) | wash mode |
| 2040-2 | 3.31 (0.31) | 11 3/8" (289) | 41 13/16" (1062) | 9.88 (0.92) | 10.34 (0.96) | 37 9/16" (954) | 15.67 (1.46) | wash mode |
| 2046-2 | 3.78 (0.35) | 11 3/8" (289) | 47 13/16" (1214) | 11.32 (1.05) | 11.82 (1.10) | 31 9/16" (802) | 17.65 (1.64) | wash mode |
| 2050-2 | 4.26 (0.40) | 11 3/8" (289) | 53 13/16" (1367) | 12.76 (1.19) | 13.31 (1.24) | 25 9/16" (649) | 19.63 (1.82) | wash mode |
| 2056-2 | 4.73 (0.44) | 11 3/8" (289) | 59 13/16" (1519) | 14.20 (1.32) | 14.79 (1.37) | 19 9/16" (497) | 21.61 (2.01) | wash mode |
| 2060-2 | 5.21 (0.48) | 11 3/8" (289) | 65 13/16" (1671) | 15.63 (1.45) | 16.27 (1.51) | 13 9/16" (344) | 23.59 (2.19) | wash mode |
| 2320-2 | 1.78 (0.17) | 14 3/8" (366) | 17 13/16" (452) | 4.85 (0.45) | 5.15 (0.48) | 61 9/16" (1564) | 8.73 (0.81) | wash mode |
| 2326-2 | 2.38 (0.22) | 14 3/8" (366) | 23 13/16" (605) | 6.54 (0.61) | 6.88 (0.64) | 55 9/16" (1411) | 10.96 (1.02) | wash mode |
| 2330-2 | 2.98 (0.28) | 14 3/8" (366) | 29 13/16" (757) | 8.23 (0.76) | 8.61 (0.80) | 49 9/16" (1259) | 13.19 (1.23) | wash mode |
| 2336-2 | 3.58 (0.33) | 14 3/8" (366) | 35 13/16" (909) | 9.91 (0.92) | 10.35 (0.96) | 43 9/16" (1106) | 15.42 (1.43) | wash mode |
| 2340-2 | 4.18 (0.39) | 14 3/8" (366) | 41 13/16" (1062) | 11.60 (1.08) | 12.08 (1.12) | 37 9/16" (954) | 17.65 (1.64) | wash mode |
| 2346-2 | 4.78 (0.44) | 14 3/8" (366) | 47 13/16" (1214) | 13.29 (1.23) | 13.81 (1.28) | 31 9/16" (802) | 19.88 (1.85) | wash mode |
| 2350-2 | 5.38 (0.50) | 14 3/8" (366) | 53 13/16" (1367) | 14.98 (1.39) | 15.55 (1.44) | 25 9/16" (649) | 22.11 (2.05) | wash mode |
| 2356-2 | 5.98 (0.56) | 14 3/8" (366) | 59 13/16" (1519) | 16.66 (1.55) | 17.28 (1.61) | 19 9/16" (497) | 24.34 (2.26) | wash mode |
| 2360-2 | 6.58 (0.61) | 14 3/8" (366) | 65 13/16" (1671) | 18.35 (1.70) | 19.02 (1.77) | 13 9/16" (344) | 26.56 (2.47) | wash mode |
| 2620-2 | 2.15 (0.20) | 17 3/8" (442) | 17 13/16" (452) | 5.57 (0.52) | 5.89 (0.55) | 61 9/16" (1564) | 9.71 (0.90) | wash mode |
| 2626-2 | 2.88 (0.27) | 17 3/8" (442) | 23 13/16" (605) | 7.51 (0.70) | 7.87 (0.73) | 55 9/16" (1411) | 12.19 (1.13) | wash mode |
| 2630-2 | 3.60 (0.33) | 17 3/8" (442) | 29 13/16" (757) | 9.45 (0.88) | 9.86 (0.92) | 49 9/16" (1259) | 14.67 (1.36) | wash mode |
| 2636-2 | 4.33 (0.40) | 17 3/8" (442) | 35 13/16" (909) | 11.38 (1.06) | 11.84 (1.10) | 43 9/16" (1106) | 17.15 (1.59) | wash mode |
| 2640-2 \emptyset | 6.30 (0.59) | 21 11/16" (551) | 41 13/16" (1062) | 13.32 (1.24) | 13.82 (1.28) | 37 9/16" (954) | 19.63 (1.82) | widest clear opening |
| 2646-2 \emptyset | 7.21 (0.67) | 21 11/16" (551) | 47 13/16" (1214) | 15.26 (1.42) | 15.81 (1.47) | 31 9/16" (802) | 22.11 (2.05) | widest clear opening |
| 2650-2 \emptyset | 8.11 (0.75) | 21 11/16" (551) | 53 13/16" (1367) | 17.20 (1.60) | 17.79 (1.65) | 25 9/16" (649) | 24.59 (2.28) | widest clear opening |
| 2656-2 \emptyset | 9.02 (0.84) | 21 11/16" (551) | 59 13/16" (1519) | 19.13 (1.78) | 19.77 (1.84) | 19 9/16" (497) | 27.06 (2.51) | widest clear opening |
| 2660-2 \emptyset | 9.92 (0.92) | 21 11/16" (551) | 65 13/16" (1671) | 21.07 (1.96) | 21.76 (2.02) | 13 9/16" (344) | 29.54 (2.74) | widest clear opening |
| 2920-2 | 2.52 (0.23) | 20 3/8" (518) | 17 13/16" (452) | 6.29 (0.58) | 6.63 (0.62) | 61 9/16" (1564) | 10.69 (0.99) | wash mode |
| 2926-2 | 3.37 (0.31) | 20 3/8" (518) | 23 13/16" (605) | 8.48 (0.79) | 8.86 (0.82) | 55 9/16" (1411) | 13.42 (1.25) | wash mode |
| 2930-2 | 4.22 (0.39) | 20 3/8" (518) | 29 13/16" (757) | 10.66 (0.99) | 11.10 (1.03) | 49 9/16" (1259) | 16.15 (1.50) | wash mode |
| 2936-2 \emptyset | 6.08 (0.57) | 24 1/2" (621) | 35 13/16" (909) | 12.85 (1.19) | 13.33 (1.24) | 43 9/16" (1106) | 18.88 (1.75) | widest clear opening |
| 2940-2 \emptyset | 5.92 (0.55) | 20 3/8" (518) | 41 13/16" (1062) | 15.04 (1.40) | 15.56 (1.45) | 37 9/16" (954) | 21.61 (2.01) | wash mode |
| 2946-2 \emptyset | 6.77 (0.63) | 20 3/8" (518) | 47 13/16" (1214) | 17.23 (1.60) | 17.80 (1.65) | 31 9/16" (802) | 24.34 (2.26) | wash mode |
| 2950-2 \emptyset | 7.62 (0.71) | 20 3/8" (518) | 53 13/16" (1367) | 19.41 (1.80) | 20.03 (1.86) | 25 9/16" (649) | 27.06 (2.51) | wash mode |
| 2956-2 \emptyset | 8.47 (0.79) | 20 3/8" (518) | 59 13/16" (1519) | 21.60 (2.01) | 22.27 (2.07) | 19 9/16" (497) | 29.79 (2.77) | wash mode |
| 2960-2 \emptyset | 9.32 (0.87) | 20 3/8" (518) | 65 13/16" (1671) | 23.79 (2.21) | 24.50 (2.28) | 13 9/16" (344) | 32.52 (3.02) | wash mode |
| 3020-2 | 2.89 (0.27) | 23 3/8" (594) | 17 13/16" (452) | 7.01 (0.65) | 7.37 (0.68) | 61 9/16" (1564) | 11.67 (1.08) | wash mode |
| 3026-2 | 3.87 (0.36) | 23 3/8" (594) | 23 13/16" (605) | 9.45 (0.88) | 9.86 (0.92) | 55 9/16" (1411) | 14.65 (1.36) | wash mode |
| 3030-2 | 4.84 (0.45) | 23 3/8" (594) | 29 13/16" (757) | 11.88 (1.10) | 12.34 (1.15) | 49 9/16" (1259) | 17.63 (1.64) | wash mode |
| 3036-2 \emptyset | 5.82 (0.54) | 23 3/8" (594) | 35 13/16" (909) | 14.32 (1.33) | 14.82 (1.38) | 43 9/16" (1106) | 20.61 (1.91) | wash mode |
| 3040-2 \emptyset | 6.79 (0.63) | 23 3/8" (594) | 41 13/16" (1062) | 16.76 (1.56) | 17.31 (1.61) | 37 9/16" (954) | 23.59 (2.19) | wash mode |
| 3046-2 \emptyset | 7.77 (0.72) | 23 3/8" (594) | 47 13/16" (1214) | 19.20 (1.78) | 19.79 (1.84) | 31 9/16" (802) | 26.56 (2.47) | wash mode |
| 3050-2 \emptyset | 8.74 (0.81) | 23 3/8" (594) | 53 13/16" (1367) | 21.63 (2.01) | 22.27 (2.07) | 25 9/16" (649) | 29.54 (2.74) | wash mode |
| 3056-2 \emptyset | 9.72 (0.90) | 23 3/8" (594) | 59 13/16" (1519) | 24.07 (2.24) | 24.76 (2.30) | 19 9/16" (497) | 32.52 (3.02) | wash mode |
| 3060-2 \emptyset | 10.69 (0.99) | 23 3/8" (594) | 65 13/16" (1671) | 26.51 (2.46) | 27.24 (2.53) | 13 9/16" (344) | 35.50 (3.30) | wash mode |

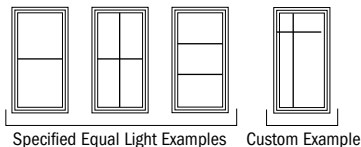
* Top of Subfloor to Top of Inside Sill Stop" is calculated based upon a structural header height of 6'-10 1/2" (2096).
 * Dimensions in parentheses are in millimeters or square meters.
 \emptyset Meets or exceed clear opening area of 5.7 sq. ft. or 0.53 m², clear opening width of 20" (508) and clear opening height of 24" (610).

Grille Patterns

| | Prairie A | Colonial | Simulated Meeting Rail | Modified Colonial | Tall Fractional | Short Fractional |
|-----------------|-----------|----------|------------------------|-------------------|-----------------|------------------|
| Casement | | | | | | |

Number of lights and overall pattern varies with window size.

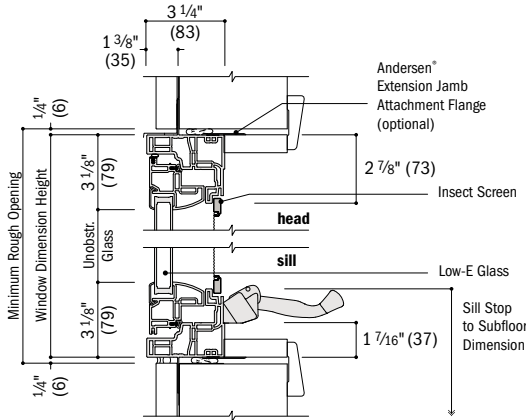
Patterns shown may not be available for all sizes. Specified equal light and custom patterns are also available. For specified equal light, specify number of same-size rectangles across or down. For more information on divided light, see page 13 or visit andersenwindows.com/grilles.



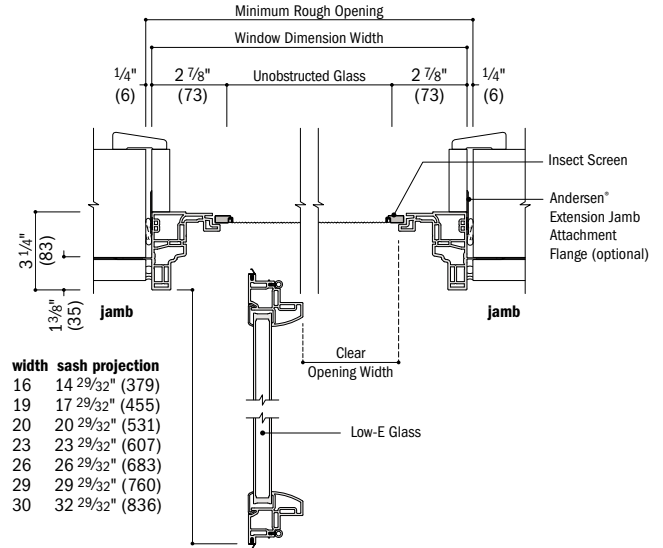
Caseament Window Details - New Construction

Scale 1 1/2" (38) = 1'-0" (305) - 1:8

1 3/8" flange setback

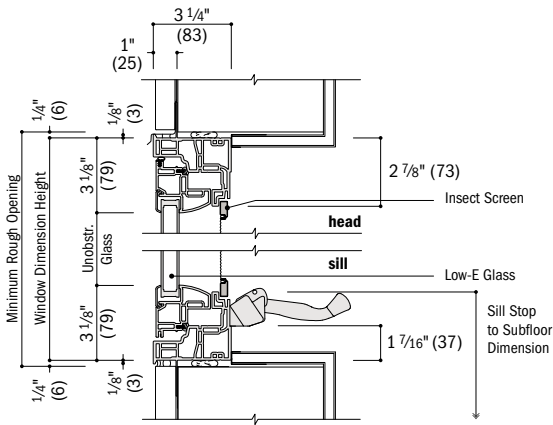


Vertical Section

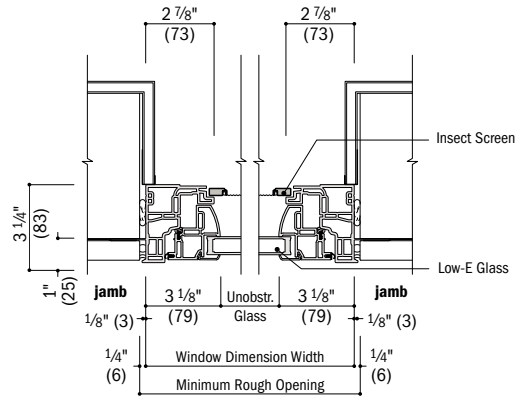


Horizontal Section

1" flange setback with stucco key

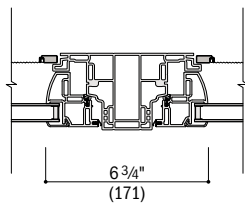


Vertical Section
Stucco Exterior

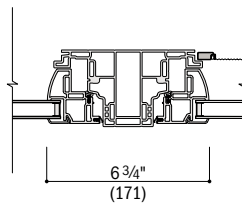


Horizontal Section
Stucco Exterior

Integrals



Horizontal Section
Twin Casement



Horizontal Section
Picture With Flanking Casement

See pages 85-87 for joining details.

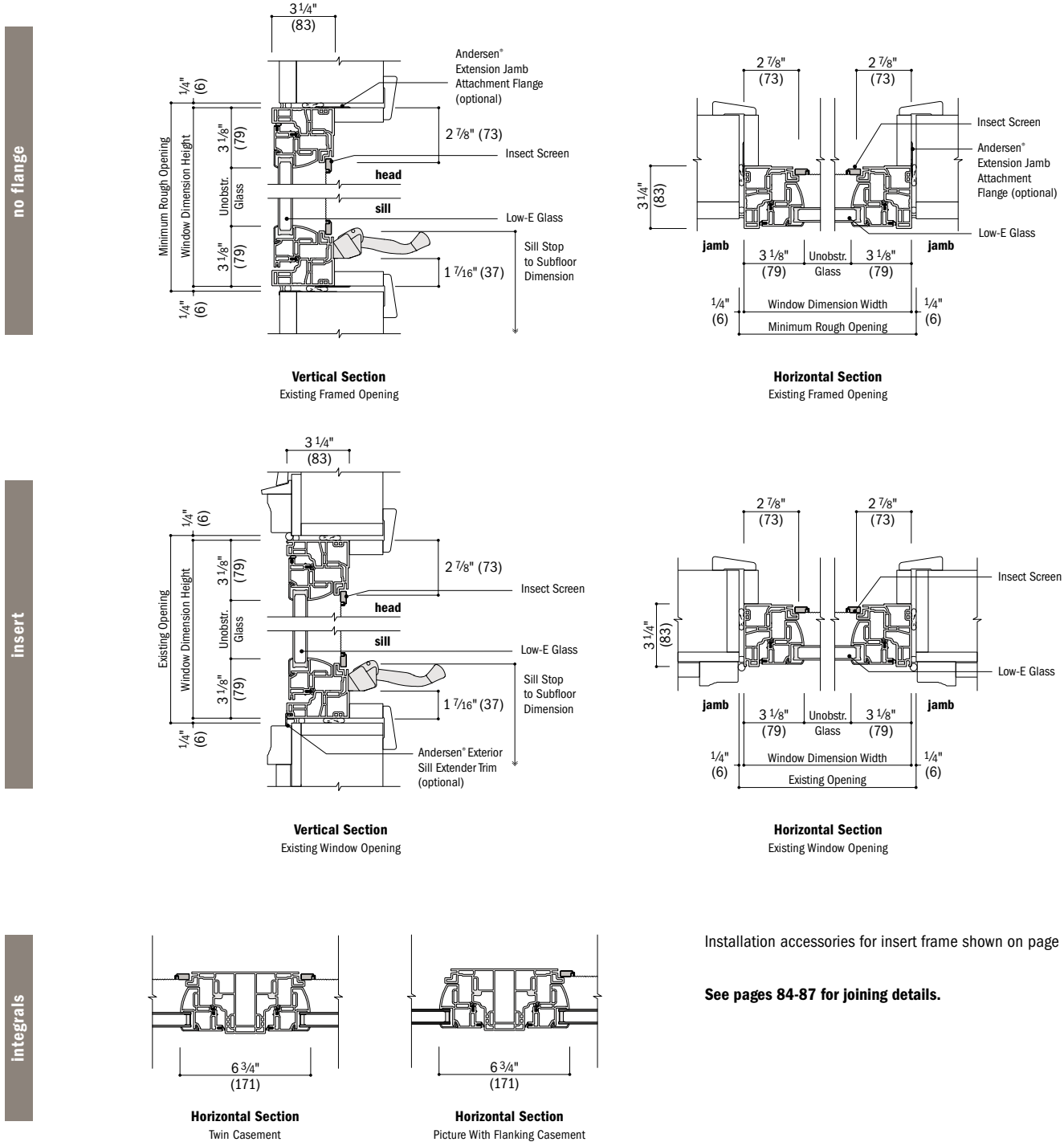
- Drip cap is required to complete window installation as shown but may not be included with the window. Use of drip cap is recommended for proper installation.
- Light-colored areas are parts included with window. Dark-colored areas are additional Andersen™ parts required to complete window assembly as shown.
- **Minimum rough openings may need to be increased to allow for use of building wraps, flashing, sill panning, brackets, fasteners or other items. See installation information on page 110.**
- Details are for illustration only and are not intended to represent product installation methods or materials. Refer to product installation instructions at andersenwindows.com.
- Dimensions in parentheses are in millimeters.

100 Series Casement & Awning Windows

CASEMENT & AWNING WINDOWS

Casement Window Details - Replacement

Scale 1 1/2" (38) = 1'-0" (305) - 1:8



Installation accessories for insert frame shown on page 109.

See pages 84-87 for joining details.

- Drip cap is required to complete window installation as shown but may not be included with the window. Use of drip cap is recommended for proper installation.
- Light-colored areas are parts included with window. Dark-colored areas are additional Andersen® parts required to complete window assembly as shown.
- **Minimum rough openings may need to be increased to allow for use of building wraps, flashing, sill panning, brackets, fasteners or other items. See installation information on page 110.**
- Details are for illustration only and are not intended to represent product installation methods or materials. Refer to product installation instructions at andersenwindows.com.
- Dimensions in parentheses are in millimeters.

Table of Awning Window Sizes

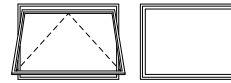
Scale 1/8" (3) = 1'-0" (305) – 1:96

| Window Dimension | 1'-5 1/2" | 1'-11 1/2" | 2'-5 1/2" | 2'-11 1/2" | 3'-5 1/2" | 3'-11 1/2" |
|------------------------------|-----------|------------|-----------|------------|-----------|------------|
| | (445) | (597) | (749) | (902) | (1054) | (1207) |
| Minimum Rough Opening | 1'-6" | 2'-0" | 2'-6" | 3'-0" | 3'-6" | 4'-0" |
| | (457) | (610) | (762) | (914) | (1067) | (1219) |
| Unobstructed Glass | 11 1/4" | 17 1/4" | 23 1/4" | 29 1/4" | 35 1/4" | 41 1/4" |
| | (286) | (438) | (591) | (743) | (895) | (1048) |

| CUSTOM WIDTHS – 17 1/2" to 47 1/2" | | | | | | |
|-------------------------------------|-----------|-------|-------|-------|-------|-------|
| CUSTOM HEIGHTS – 17 1/2" to 35 1/2" | 1'-5 1/2" | 1'-6" | 1'-6" | 1'-6" | 1'-6" | 1'-6" |
| | (445) | (457) | (457) | (457) | (457) | (457) |
| | 1616 | 2016 | 2616 | 3016 | 3616 | 4016 |
| | 1620 | 2020 | 2620 | 3020 | 3620 | 4020 |
| 1'-11 1/2" | 2'-0" | 2'-0" | 2'-0" | 2'-0" | 2'-0" | 2'-0" |
| (597) | (610) | (610) | (610) | (610) | (610) | (610) |
| 1626 | 2026 | 2626 | 3026 | 3626 | 4026 | |
| 1630 | 2030 | 2630 | 3030 | 3630 | 4030 | |
| 2'-5 1/2" | 2'-6" | 2'-6" | 2'-6" | 2'-6" | 2'-6" | 2'-6" |
| (749) | (762) | (762) | (762) | (762) | (762) | (762) |
| 1626 | 2026 | 2626 | 3026 | 3626 | 4026 | |
| 1630 | 2030 | 2630 | 3030 | 3630 | 4030 | |
| 2'-11 1/2" | 3'-0" | 3'-0" | 3'-0" | 3'-0" | 3'-0" | 3'-0" |
| (902) | (914) | (914) | (914) | (914) | (914) | (914) |
| 1630 | 2030 | 2630 | 3030 | 3630 | 4030 | |



Custom-size windows are available in 1/8" (3) increments. See page 88 for custom sizes and specifications.



Venting Stationary

Choose venting or stationary. **Awning windows must be installed to vent as shown and should not be rotated and used as a hopper.** Details shown on pages 28-29. Grille patterns shown on page 26.

Table of Twin Awning Window Sizes

Scale 1/8" (3) = 1'-0" (305) – 1:96

| Window Dimension | 2'-11 1/2" | 3'-5 1/2" | 3'-11 1/2" | 4'-5 1/2" | 4'-11 1/2" | 5'-5 1/2" | 5'-11 1/2" |
|--|------------|-----------|------------|-----------|------------|-----------|------------|
| | (902) | (1054) | (1207) | (1359) | (1511) | (1664) | (1816) |
| Minimum Rough Opening | 3'-0" | 3'-6" | 4'-0" | 4'-6" | 5'-0" | 5'-6" | 6'-0" |
| | (914) | (1067) | (1219) | (1372) | (1524) | (1676) | (1829) |
| Unobstructed Glass (width of single sash) | 11 1/4" | 14 1/4" | 17 1/4" | 20 1/4" | 23 1/4" | 26 1/4" | 29 1/4" |
| | (286) | (362) | (438) | (514) | (591) | (667) | (743) |

| CUSTOM WIDTHS – 35 1/2" to 71 1/2" | | | | | | | |
|-------------------------------------|---------|--------|--------|--------|--------|--------|--------|
| CUSTOM HEIGHTS – 17 1/2" to 35 1/2" | 11 1/2" | 1'-0" | 1'-0" | 1'-0" | 1'-0" | 1'-0" | 1'-0" |
| | (292) | (305) | (305) | (305) | (305) | (305) | (305) |
| | 1610-2 | 1910-2 | 2010-2 | 2310-2 | 2610-2 | 2910-2 | 3010-2 |
| | 1616-2 | 1916-2 | 2016-2 | 2316-2 | 2616-2 | 2916-2 | 3016-2 |
| 1'-5 1/2" | 1'-6" | 1'-6" | 1'-6" | 1'-6" | 1'-6" | 1'-6" | 1'-6" |
| (445) | (457) | (457) | (457) | (457) | (457) | (457) | (457) |
| 1620-2 | 1920-2 | 2020-2 | 2320-2 | 2620-2 | 2920-2 | 3020-2 | |
| 1626-2 | 1926-2 | 2026-2 | 2326-2 | 2626-2 | 2926-2 | 3026-2 | |
| 1'-11 1/2" | 2'-0" | 2'-0" | 2'-0" | 2'-0" | 2'-0" | 2'-0" | 2'-0" |
| (597) | (610) | (610) | (610) | (610) | (610) | (610) | (610) |
| 1626-2 | 1926-2 | 2026-2 | 2326-2 | 2626-2 | 2926-2 | 3026-2 | |
| 1630-2 | 1930-2 | 2030-2 | 2330-2 | 2630-2 | 2930-2 | 3030-2 | |
| 2'-5 1/2" | 2'-6" | 2'-6" | 2'-6" | 2'-6" | 2'-6" | 2'-6" | 2'-6" |
| (749) | (762) | (762) | (762) | (762) | (762) | (762) | (762) |
| 1626-2 | 1926-2 | 2026-2 | 2326-2 | 2626-2 | 2926-2 | 3026-2 | |
| 1630-2 | 1930-2 | 2030-2 | 2330-2 | 2630-2 | 2930-2 | 3030-2 | |
| 2'-11 1/2" | 3'-0" | 3'-0" | 3'-0" | 3'-0" | 3'-0" | 3'-0" | 3'-0" |
| (902) | (914) | (914) | (914) | (914) | (914) | (914) | (914) |
| 1630-2 | 1930-2 | 2030-2 | 2330-2 | 2630-2 | 2930-2 | 3030-2 | |



Custom-size windows are available in 1/8" (3) increments. See page 88 for custom sizes and specifications.

Windows have one continuous outer frame.

Twin transoms are also shown. See pages 70-71 for more information.

Details shown on pages 28-29. Grille patterns shown on page 26.

• "Window Dimension" always refers to outside frame-to-frame dimension.
 • "Minimum Rough Opening" dimensions may need to be increased to allow for use of building wraps, flashing, sill panning, brackets, fasteners or other items. See page 110 for more details.
 • Dimensions in parentheses are in millimeters.

CASEMENT & AWNING WINDOWS

Table of Sizes - Picture Window Over Awning

Scale 1/8" (3) = 1'-0" (305) - 1:96

| | | | | | |
|--|---------------------|--------------------|---------------------|---------------------|----------------------|
| Window Dimension | 1'-11 1/2" (597) | 2'-5 1/2" (749) | 2'-11 1/2" (902) | 3'-5 1/2" (1054) | 3'-11 1/2" (1207) |
| Minimum Rough Opening | 2'-0" (610) | 2'-6" (762) | 3'-0" (914) | 3'-6" (1067) | 4'-0" (1219) |
| Unobstructed Glass (height of upper sash) | 17 1/4" (438) | 23 1/4" (591) | 29 1/4" (743) | 35 1/4" (895) | 41 1/4" (1048) |

| CUSTOM HEIGHTS - 47 1/2" to 95 1/2" | CUSTOM WIDTHS - 17 1/2" to 47 1/2" | | | | |
|-------------------------------------|------------------------------------|--------------------|---------------------|---------------------|----------------------|
| | 1'-11 1/2" (597) | 2'-5 1/2" (749) | 2'-11 1/2" (902) | 3'-5 1/2" (1054) | 3'-11 1/2" (1207) |
| 3'-11 1/2" (1207) | | | | | |
| 4'-0" (1219) | | | | | |
| 4'-11 1/2" (1511) | | | | | |
| 5'-0" (1524) | | | | | |
| 5'-11 1/2" (1816) | | | | | |
| 6'-0" (1829) | | | | | |
| 5'-11 1/2" (1816) | | | | | |
| 6'-0" (1829) | | | | | |
| 6'-11 1/2" (2121) | | | | | |
| 7'-0" (2134) | | | | | |
| 6'-11 1/2" (2121) | | | | | |
| 7'-0" (2134) | | | | | |
| 6'-11 1/2" (2121) | | | | | |
| 7'-0" (2134) | | | | | |
| 7'-11 1/2" (2426) | | | | | |
| 8'-0" (2438) | | | | | |



Custom-size windows are available in 1/8" (3) increments.
See page 89 for custom sizes and specifications.

Windows have one continuous outer frame.

For unobstructed glass height dimensions of lower sash, see page 25.

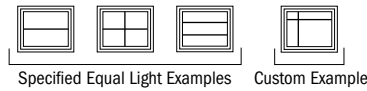
Details shown on pages 28-29.

Grille patterns shown below.

Grille Patterns

| | Prairie A | Colonial | Modified Colonial* |
|---------------|-----------------|------------------|--------------------|
| Awning | | | |
| | Tall Fractional | Short Fractional | |
| | | | |

*Modified colonial pattern is available only for the upper sash of a picture window over awning configuration.



Number of lights and overall pattern varies with window size. Patterns shown may not be available for all sizes. Specified equal light and custom patterns are also available. For specified equal light, specify number of same-size rectangles across or down. For more information on divided light, see page 13 or visit andersenwindows.com/grilles.

* "Window Dimension" always refers to outside frame-to-frame dimension.
 • "Minimum Rough Opening" dimensions may need to be increased to allow for use of building wraps, flashing, sill panning, brackets, fasteners or other items. See page 110 for more details.
 • Dimensions in parentheses are in millimeters.

Awning Window Opening and Area Specifications

| Window Number | Clear Opening Area Sq. Ft./ (m ²) | | Clear Opening in Full Open Position | | Glass Area Sq. Ft./ (m ²) | Vent Area Sq. Ft./ (m ²) | | Top of Subfloor to Top of Inside Sill Stop Inches/(mm) | Overall Window Area Sq. Ft./ (m ²) |
|---------------|--|--------|-------------------------------------|----------------------|--|---|-----------------|---|---|
| | | | Width Inches/(mm) | Depth Inches/(mm) | | | | | |
| 1616 | 0.66 | (0.06) | 11 13/16" (300) | 8" (203) | 0.88 (0.08) | 0.66 (0.06) | 67 9/16" (1716) | 2.13 (0.20) | |
| 1620 | 0.66 | (0.06) | 11 13/16" (300) | 8" (203) | 1.35 (0.13) | 0.66 (0.06) | 61 9/16" (1564) | 2.86 (0.27) | |
| 1626 | 0.66 | (0.06) | 11 13/16" (300) | 8" (203) | 1.82 (0.17) | 0.66 (0.06) | 55 9/16" (1411) | 3.59 (0.33) | |
| 1630 | 0.66 | (0.06) | 11 13/16" (300) | 8" (203) | 2.29 (0.21) | 0.66 (0.06) | 49 9/16" (1259) | 4.31 (0.40) | |
| 2016 | 0.99 | (0.09) | 17 13/16" (452) | 8" (203) | 1.35 (0.13) | 0.99 (0.09) | 67 9/16" (1716) | 2.86 (0.27) | |
| 2020 | 0.99 | (0.09) | 17 13/16" (452) | 8" (203) | 2.07 (0.19) | 0.99 (0.09) | 61 9/16" (1564) | 3.84 (0.36) | |
| 2026 | 0.99 | (0.09) | 17 13/16" (452) | 8" (203) | 2.79 (0.26) | 0.99 (0.09) | 55 9/16" (1411) | 4.81 (0.45) | |
| 2030 | 0.99 | (0.09) | 17 13/16" (452) | 8" (203) | 3.50 (0.33) | 0.99 (0.09) | 49 9/16" (1259) | 5.79 (0.54) | |
| 2616 | 1.32 | (0.12) | 23 13/16" (605) | 8" (203) | 1.82 (0.17) | 1.32 (0.12) | 67 9/16" (1716) | 3.59 (0.33) | |
| 2620 | 1.32 | (0.12) | 23 13/16" (605) | 8" (203) | 2.79 (0.26) | 1.32 (0.12) | 61 9/16" (1564) | 4.81 (0.45) | |
| 2626 | 1.32 | (0.12) | 23 13/16" (605) | 8" (203) | 3.75 (0.35) | 1.32 (0.12) | 55 9/16" (1411) | 6.04 (0.56) | |
| 2630 | 1.32 | (0.12) | 23 13/16" (605) | 8" (203) | 4.72 (0.44) | 1.32 (0.12) | 49 9/16" (1259) | 7.27 (0.68) | |
| 3016 | 1.66 | (0.15) | 29 13/16" (757) | 8" (203) | 2.29 (0.21) | 1.66 (0.15) | 67 9/16" (1716) | 4.31 (0.40) | |
| 3020 | 1.66 | (0.15) | 29 13/16" (757) | 8" (203) | 3.50 (0.33) | 1.66 (0.15) | 61 9/16" (1564) | 5.79 (0.54) | |
| 3026 | 1.66 | (0.15) | 29 13/16" (757) | 8" (203) | 4.72 (0.44) | 1.66 (0.15) | 55 9/16" (1411) | 7.27 (0.68) | |
| 3030 | 1.66 | (0.15) | 29 13/16" (757) | 8" (203) | 5.94 (0.55) | 1.66 (0.15) | 49 9/16" (1259) | 8.75 (0.81) | |
| 3616 | 1.99 | (0.18) | 35 13/16" (909) | 8" (203) | 2.75 (0.26) | 1.99 (0.18) | 67 9/16" (1716) | 5.04 (0.47) | |
| 3620 | 1.99 | (0.18) | 35 13/16" (909) | 8" (203) | 4.22 (0.39) | 1.99 (0.18) | 61 9/16" (1564) | 6.77 (0.63) | |
| 3626 | 1.99 | (0.18) | 35 13/16" (909) | 8" (203) | 5.69 (0.53) | 1.99 (0.18) | 55 9/16" (1411) | 8.50 (0.79) | |
| 3630 | 1.99 | (0.18) | 35 13/16" (909) | 8" (203) | 7.16 (0.67) | 1.99 (0.18) | 49 9/16" (1259) | 10.23 (0.95) | |
| 4016 | 2.32 | (0.22) | 41 13/16" (1062) | 8" (203) | 3.22 (0.30) | 2.32 (0.22) | 67 9/16" (1716) | 5.77 (0.54) | |
| 4020 | 2.32 | (0.22) | 41 13/16" (1062) | 8" (203) | 4.94 (0.46) | 2.32 (0.22) | 61 9/16" (1564) | 7.75 (0.72) | |
| 4026 | 2.32 | (0.22) | 41 13/16" (1062) | 8" (203) | 6.66 (0.62) | 2.32 (0.22) | 55 9/16" (1411) | 9.73 (0.90) | |
| 4030 | 2.32 | (0.22) | 41 13/16" (1062) | 8" (203) | 8.38 (0.78) | 2.32 (0.22) | 49 9/16" (1259) | 11.71 (1.09) | |

*"Top of Subfloor to Top of Inside Sill Stop" is calculated based upon a structural header height of 6'-10 1/2" (2096).
 • Dimensions in parentheses are in millimeters or square meters.

Twin Awning Window Opening and Area Specifications

| Window Number | Clear Opening Area Sq. Ft./ (m ²) | | Clear Opening in Full Open Position | | Glass Area Sq. Ft./ (m ²) | Vent Area Sq. Ft./ (m ²) | | Top of Subfloor to Top of Inside Sill Stop Inches/(mm) | Overall Window Area Sq. Ft./ (m ²) |
|---------------|--|--------|-------------------------------------|----------------------|--|---|-----------------|---|---|
| | | | Width Inches/(mm) | Depth Inches/(mm) | | | | | |
| 1616-2 | 0.66 | (0.06) | 11 13/16" (300) | 8" (203) | 1.76 (0.16) | 1.31 (0.12) | 67 9/16" (1716) | 4.31 (0.40) | |
| 1620-2 | 0.66 | (0.06) | 11 13/16" (300) | 8" (203) | 2.70 (0.25) | 1.31 (0.12) | 61 9/16" (1564) | 5.79 (0.54) | |
| 1626-2 | 0.66 | (0.06) | 11 13/16" (300) | 8" (203) | 3.63 (0.34) | 1.31 (0.12) | 55 9/16" (1411) | 7.27 (0.68) | |
| 1630-2 | 0.66 | (0.06) | 11 13/16" (300) | 8" (203) | 4.57 (0.42) | 1.31 (0.12) | 49 9/16" (1259) | 8.75 (0.81) | |
| 1916-2 | 0.82 | (0.08) | 14 13/16" (376) | 8" (203) | 2.23 (0.21) | 1.65 (0.15) | 67 9/16" (1716) | 5.04 (0.47) | |
| 1920-2 | 0.82 | (0.08) | 14 13/16" (376) | 8" (203) | 3.41 (0.32) | 1.65 (0.15) | 61 9/16" (1564) | 6.77 (0.63) | |
| 1926-2 | 0.82 | (0.08) | 14 13/16" (376) | 8" (203) | 4.60 (0.43) | 1.65 (0.15) | 55 9/16" (1411) | 8.50 (0.79) | |
| 1930-2 | 0.82 | (0.08) | 14 13/16" (376) | 8" (203) | 5.79 (0.54) | 1.65 (0.15) | 49 9/16" (1259) | 10.23 (0.95) | |
| 2016-2 | 0.99 | (0.09) | 17 13/16" (452) | 8" (203) | 2.70 (0.25) | 1.98 (0.18) | 67 9/16" (1716) | 5.77 (0.54) | |
| 2020-2 | 0.99 | (0.09) | 17 13/16" (452) | 8" (203) | 4.13 (0.38) | 1.98 (0.18) | 61 9/16" (1564) | 7.75 (0.72) | |
| 2026-2 | 0.99 | (0.09) | 17 13/16" (452) | 8" (203) | 5.57 (0.52) | 1.98 (0.18) | 55 9/16" (1411) | 9.73 (0.90) | |
| 2030-2 | 0.99 | (0.09) | 17 13/16" (452) | 8" (203) | 7.01 (0.65) | 1.98 (0.18) | 49 9/16" (1259) | 11.71 (1.09) | |
| 2316-2 | 1.16 | (0.11) | 20 13/16" (528) | 8" (203) | 3.16 (0.29) | 2.31 (0.21) | 67 9/16" (1716) | 6.50 (0.60) | |
| 2320-2 | 1.16 | (0.11) | 20 13/16" (528) | 8" (203) | 4.85 (0.45) | 2.31 (0.21) | 61 9/16" (1564) | 8.73 (0.81) | |
| 2326-2 | 1.16 | (0.11) | 20 13/16" (528) | 8" (203) | 6.54 (0.61) | 2.31 (0.21) | 55 9/16" (1411) | 10.96 (1.02) | |
| 2330-2 | 1.16 | (0.11) | 20 13/16" (528) | 8" (203) | 8.23 (0.76) | 2.31 (0.21) | 49 9/16" (1259) | 13.19 (1.23) | |
| 2616-2 | 1.32 | (0.12) | 23 13/16" (605) | 8" (203) | 3.63 (0.34) | 2.65 (0.25) | 67 9/16" (1716) | 7.23 (0.67) | |
| 2620-2 | 1.32 | (0.12) | 23 13/16" (605) | 8" (203) | 5.57 (0.52) | 2.65 (0.25) | 61 9/16" (1564) | 9.71 (0.90) | |
| 2626-2 | 1.32 | (0.12) | 23 13/16" (605) | 8" (203) | 7.51 (0.70) | 2.65 (0.25) | 55 9/16" (1411) | 12.19 (1.13) | |
| 2630-2 | 1.32 | (0.12) | 23 13/16" (605) | 8" (203) | 9.45 (0.88) | 2.65 (0.25) | 49 9/16" (1259) | 14.67 (1.36) | |
| 2916-2 | 1.49 | (0.14) | 26 13/16" (681) | 8" (203) | 4.10 (0.38) | 2.98 (0.28) | 67 9/16" (1716) | 7.96 (0.74) | |
| 2920-2 | 1.49 | (0.14) | 26 13/16" (681) | 8" (203) | 6.29 (0.58) | 2.98 (0.28) | 61 9/16" (1564) | 10.69 (0.99) | |
| 2926-2 | 1.49 | (0.14) | 26 13/16" (681) | 8" (203) | 8.48 (0.79) | 2.98 (0.28) | 55 9/16" (1411) | 13.42 (1.25) | |
| 2930-2 | 1.49 | (0.14) | 26 13/16" (681) | 8" (203) | 10.66 (0.99) | 2.98 (0.28) | 49 9/16" (1259) | 16.15 (1.50) | |
| 3016-2 | 1.66 | (0.15) | 29 13/16" (757) | 8" (203) | 4.57 (0.42) | 3.31 (0.31) | 67 9/16" (1716) | 8.69 (0.81) | |
| 3020-2 | 1.66 | (0.15) | 29 13/16" (757) | 8" (203) | 7.01 (0.65) | 3.31 (0.31) | 61 9/16" (1564) | 11.67 (1.08) | |
| 3026-2 | 1.66 | (0.15) | 29 13/16" (757) | 8" (203) | 9.45 (0.88) | 3.31 (0.31) | 55 9/16" (1411) | 14.65 (1.36) | |
| 3030-2 | 1.66 | (0.15) | 29 13/16" (757) | 8" (203) | 11.88 (1.10) | 3.31 (0.31) | 49 9/16" (1259) | 17.63 (1.64) | |

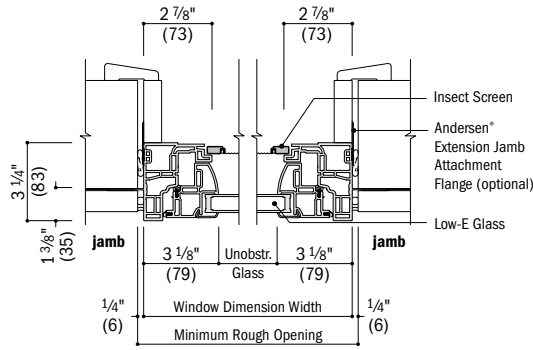
*"Top of Subfloor to Top of Inside Sill Stop" is calculated based upon a structural header height of 6'-10 1/2" (2096).
 • Dimensions in parentheses are in millimeters or square meters.

CASEMENT & AWNING WINDOWS

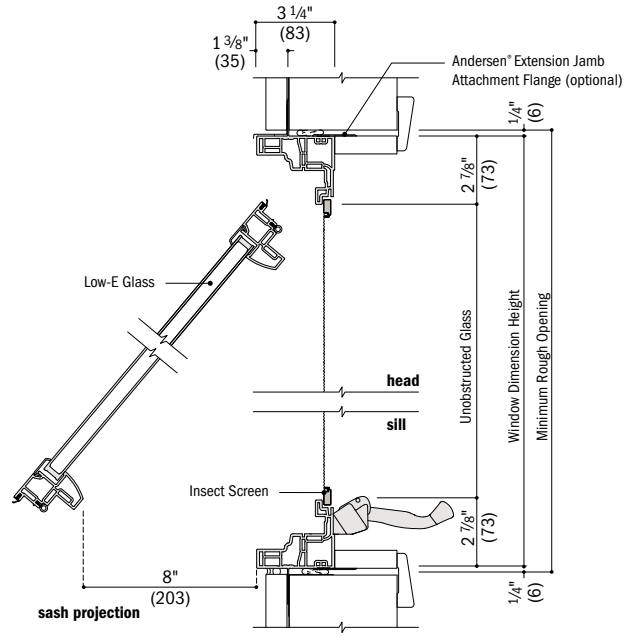
Awning Window Details – New Construction

Scale 1 1/2" (38) = 1'-0" (305) – 1:8

1 3/8" flange setback

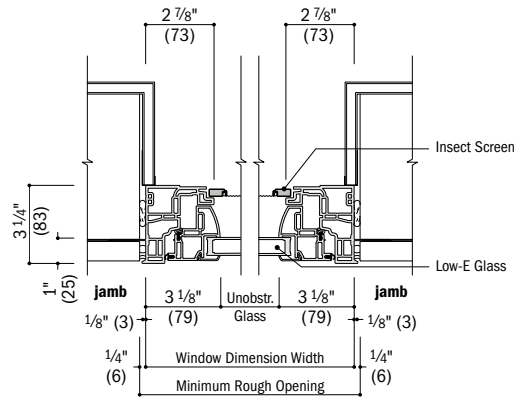


Horizontal Section

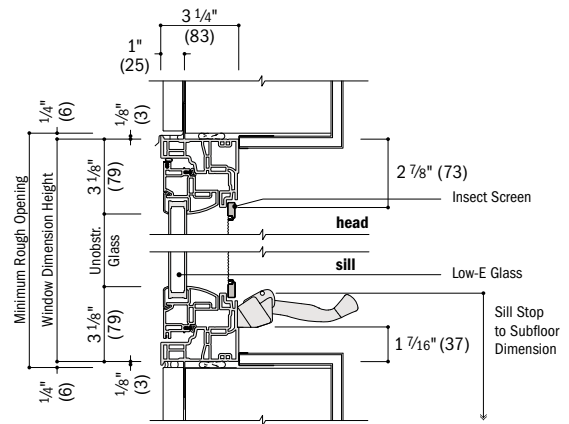


Vertical Section

1" flange setback with stucco key

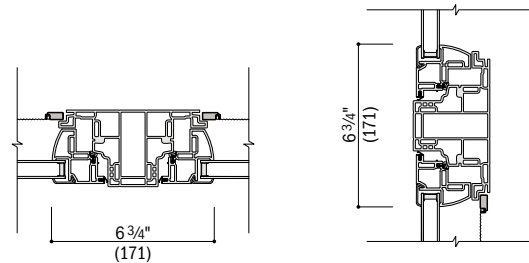


Horizontal Section
Stucco Exterior



Vertical Section
Stucco Exterior

Integrals



Horizontal Section
Twin Casement

Vertical Section
Picture Over Awning

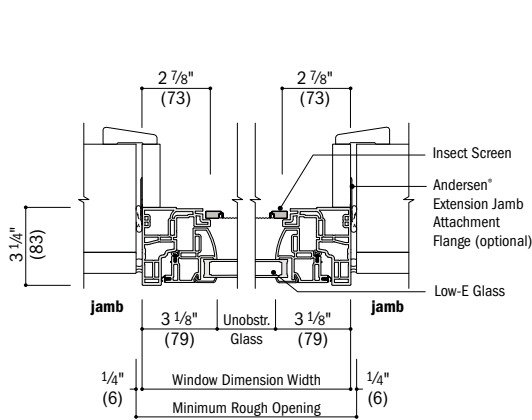
See pages 84-87 for joining details.

- Drip cap is required to complete window installation as shown but may not be included with the window. Use of drip cap is recommended for proper installation.
- Light-colored areas are parts included with window. Dark-colored areas are additional Andersen® parts required to complete window assembly as shown.
- **Minimum rough openings may need to be increased to allow for use of building wraps, flashing, sill panning, brackets, fasteners or other items. See installation information on page 110.**
- Details are for illustration only and are not intended to represent product installation methods or materials. Refer to product installation instructions at andersenwindows.com.
- Dimensions in parentheses are in millimeters.

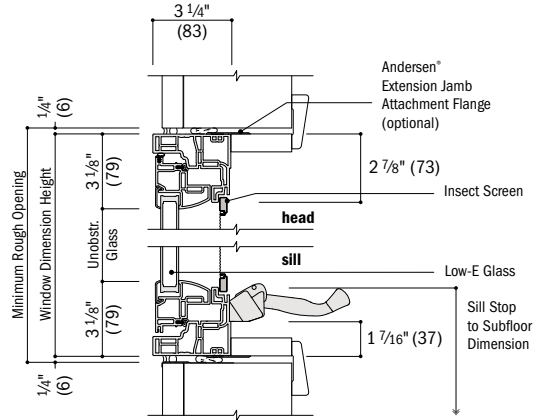
Awning Window Details - Replacement

Scale 1 1/2" (38) = 1'-0" (305) - 1:8

no flange

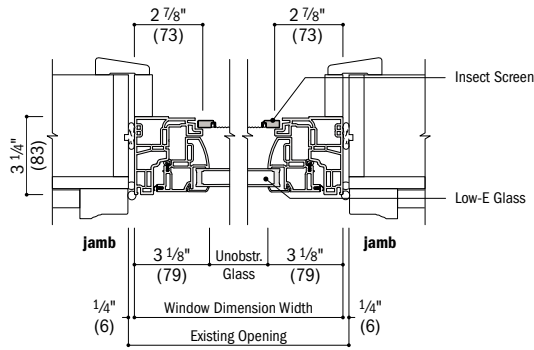


Horizontal Section
Existing Framed Opening

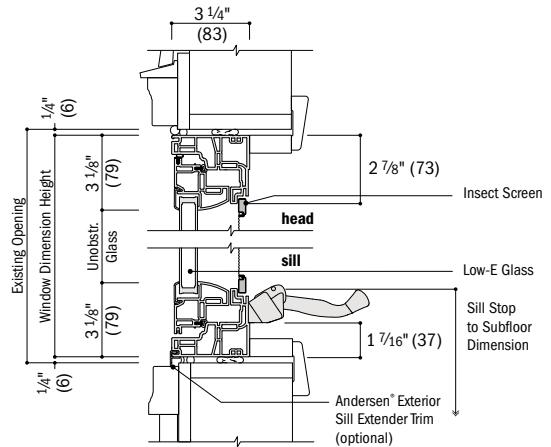


Vertical Section
Existing Framed Opening

insert

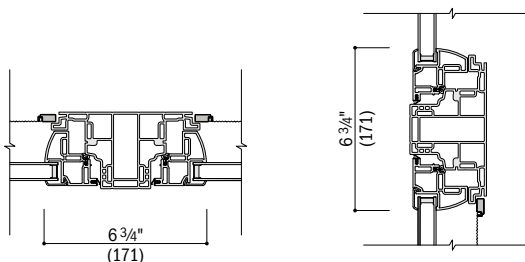


Horizontal Section
Existing Window Opening



Vertical Section
Existing Window Opening

integrals



Horizontal Section
Twin Casement

Vertical Section
Picture Over Awning

Installation accessories for insert frame shown on page 109.

See pages 84-87 for joining details.

- Drip cap is required to complete window installation as shown but may not be included with the window. Use of drip cap is recommended for proper installation.
- Light-colored areas are parts included with window. Dark-colored areas are additional Andersen® parts required to complete window assembly as shown.
- **Minimum rough openings may need to be increased to allow for use of building wraps, flashing, sill panning, brackets, fasteners or other items. See installation information on page 110.**
- Details are for illustration only and are not intended to represent product installation methods or materials. Refer to product installation instructions at andersenwindows.com.
- Dimensions in parentheses are in millimeters.

SINGLE-HUNG WINDOWS

Table of Arch Single-Hung Window Sizes

Scale 1/8" (3) = 1'-0" (305) – 1:96

| Window Width Dimension | 1'-11 1/2" | 2'-5 1/2" | 2'-11 1/2" | 3'-5 1/2" |
|--|-------------------------|-------------------------|-------------------------|---------------------------|
| Minimum Rough Opening | (597) 2'-0" (610) | (749) 2'-6" (762) | (902) 3'-0" (914) | (1054) 3'-6" (1067) |
| Unobstructed Glass (width of upper sash) | 20" | 26" | 32" | 38" |
| Unobstructed Glass (width of lower sash) | 17 1/4" | 23 1/4" | 29 1/4" | 35 1/4" |
| Radius | 23 1/2" (597) | 29 1/2" (749) | 35 1/2" (902) | 41 1/2" (1054) |
| Unobstructed Glass Chord Height (height of lower sash shown below) | 3 1/8" (79) | 4" (102) | 4 3/4" (121) | 5 1/2" (140) |
| Unobstructed Glass (height of upper sash shown to right of window) | 15 1/16" (383) | 15 7/8" (403) | 16 11/16" (424) | 17 1/2" (445) |
| Side Height | 2'-5 1/2" (749) | 2'-9 1/2" (851) | 2'-10 1/4" (870) | 2'-11" (889) |
| Window Height (shown left of window) | 2'-8 5/8" (829) | 2'-9 1/2" (851) | 2'-10 1/4" (870) | 2'-11" (889) |
| 2026 | 2026 | 2626 | 3026 | 3626 |
| 13 9/16" (345) | 2'-11 1/2" (902) | 3'-2 5/8" (981) | 3'-3 1/2" (1003) | 3'-4 1/4" (1022) |
| 15 1/16" (383) | 18 1/16" (459) | 18 7/8" (479) | 19 11/16" (500) | 20 1/2" (521) |
| 2030 | 2030 | 2630 | 3030 | 3630 |
| 16 9/16" (421) | 3'-5 1/2" (1054) | 3'-8 5/8" (1133) | 3'-9 1/2" (1156) | 3'-10 1/4" (1175) |
| 21 1/16" (535) | 21 7/8" (556) | 22 11/16" (576) | 23 1/2" (597) | 24 7/8" (632) |
| 2036 | 2036 | 2636 | 3036 | 3636 |
| 19 9/16" (497) | 3'-11 1/2" (1207) | 4'-2 5/8" (1286) | 4'-3 1/2" (1308) | 4'-4 1/4" (1327) |
| 24 1/16" (611) | 24 7/8" (632) | 25 11/16" (652) | 26 1/2" (673) | 27 1/8" (708) |
| 2040 | 2040 | 2640 | 3040 | 3640 |
| 22 9/16" (573) | 4'-5 1/2" (1359) | 4'-8 5/8" (1438) | 4'-9 1/2" (1461) | 4'-10 1/4" (1480) |
| 27 1/16" (687) | 27 7/8" (708) | 28 11/16" (729) | 29 1/2" (749) | 30 7/8" (784) |
| 2046 | 2046 | 2646 | 3046 | 3646 |
| 25 9/16" (649) | 4'-11 1/2" (1511) | 5'-2 5/8" (1591) | 5'-3 1/2" (1613) | 5'-4 1/4" (1632) |
| 30 1/16" (764) | 30 7/8" (784) | 31 11/16" (805) | 32 1/2" (826) | 33 1/8" (860) |
| 2050 | 2050 | 2650 | 3050 ^o | 3650 ^o |
| 28 9/16" (726) | 5'-5 1/2" (1664) | 5'-8 5/8" (1743) | 5'-9 1/2" (1765) | 5'-10 1/4" (1784) |
| 33 1/16" (840) | 33 7/8" (860) | 34 11/16" (881) | 35 1/2" (902) | 36 1/8" (937) |
| 2056 | 2056 | 2656 | 3056 ^o | 3656 ^o |
| 31 9/16" (802) | 5'-11 1/2" (1816) | 6'-2 5/8" (1895) | 6'-3 1/2" (1918) | 6'-4 1/4" (1937) |
| 36 1/16" (916) | 36 7/8" (937) | 37 11/16" (957) | 38 1/2" (978) | 39 1/8" (1013) |
| 2060 | 2060 | 2660 ^o | 3060 ^o | 3660 ^o |
| 34 9/16" (878) | 6'-5 1/2" (1969) | 6'-8 5/8" (2048) | 6'-9 1/2" (2070) | 6'-10 1/4" (2089) |
| 39 1/16" (992) | 39 7/8" (1013) | 40 11/16" (1033) | 41 1/2" (1054) | |
| 2066 | 2066 | 2666 ^o | 3066 ^o | 3666 ^o |

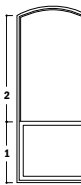


Custom-size windows

are available in 1/8" (3) increments. Contact your Andersen supplier for more information.

For arch single-hung windows, the size designation does not reflect the overall window height (e.g., a 2026 window size has a side height of 2'-5 1/2" and an overall window height of 2'-8 5/8").

Height dimensions for upper sash are to the right of each window size and lower sash are to the far left.



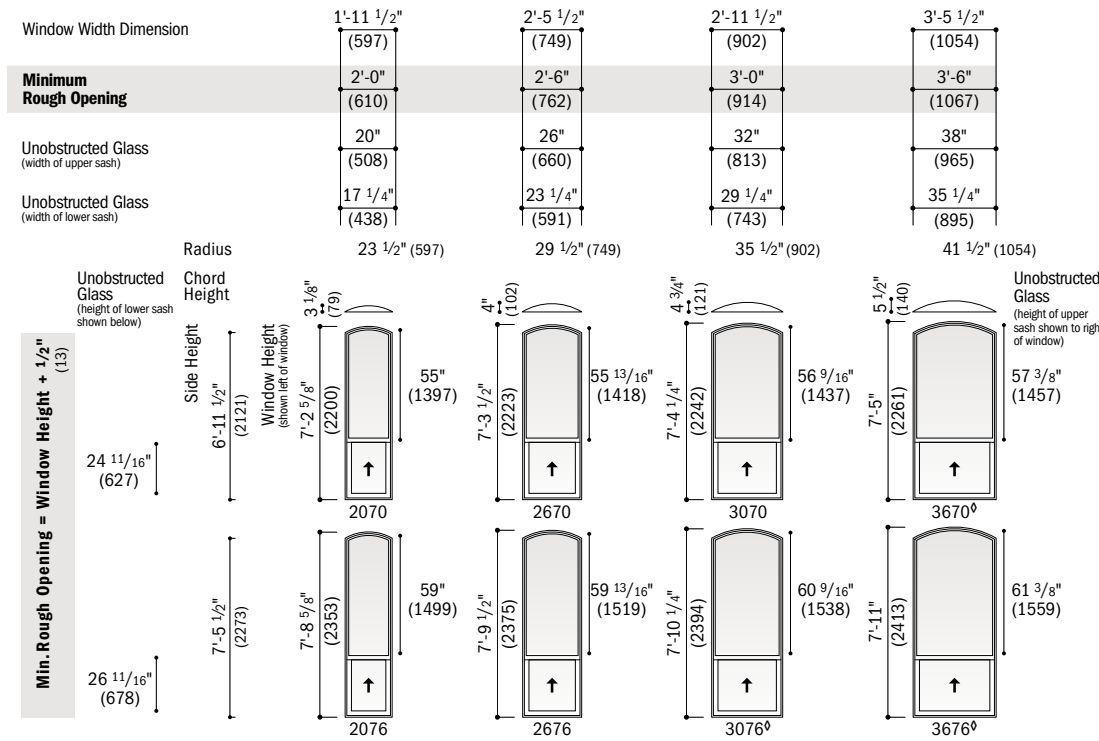
Windows with a side height greater than 6'-5 1/2" (1969) are only available with a 2:1 reverse cottage sash ratio.

Details are shown on pages 48-49. Grille patterns shown on page 47.

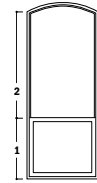
* "Window Dimension" always refers to outside frame-to-frame dimension.
 * "Minimum Rough Opening" dimensions may need to be increased to allow for use of building wraps, flashing, sill panning, brackets, fasteners or other items. See page 110 for more details.
 * Dimensions in parentheses are in millimeters.
^oMeets or exceeds clear opening area of 5.7 sq. ft. or 0.53 m², clear opening width of 20" (508) and clear opening height of 24" (610). See table on pages 31 and 33.
 * For side heights greater than 6'-5 1/2" (1969), meeting rail location = (side height in inches x 0.33) + 1.96".

Table of Arch Single-Hung Window Sizes (continued)

Scale 1/8" (3) = 1'-0" (305) – 1:96



Notes on previous page also apply to this page.



Windows with a side height greater than 6'-5 1/2" (1969) are only available with a 2:1 reverse cottage sash ratio.*

100 Series Single-Hung Windows

*"Window Dimension" always refers to outside frame-to-frame dimension.
 **"Minimum Rough Opening" dimensions may need to be increased to allow for use of building wraps, flashing, sill panning, brackets, fasteners or other items. See page 110 for more details.
 • Dimensions in parentheses are in millimeters.
 ◊ Meets or exceed clear opening area of 5.7 sq. ft. or 0.53 m², clear opening width of 20" (508) and clear opening height of 24" (610). See table on pages 31 and 33.
 *For side heights greater than 6'-5 1/2" (1969), meeting rail location = (side height in inches x 0.33) + 1.96".

Arch Single-Hung Window Opening and Area Specifications

| Window Number | Clear Opening Area Sq. Ft./ (m ²) | Clear Opening in Full Open Position | | Glass Area Sq. Ft./ (m ²) | Vent Area Sq. Ft./ (m ²) | Top of Subfloor to Top of Inside Sill Stop Inches/(mm) | Overall Window Area Sq. Ft./ (m ²) |
|---------------|---|-------------------------------------|--------------------|---------------------------------------|--------------------------------------|--|--|
| | | Width Inches/(mm) | Height Inches/(mm) | | | | |
| 2026 | 1.53 (0.14) | 20" (508) | 11 1/16" (280) | 3.25 (0.30) | 1.53 (0.14) | 51 3/8" (1304) | 5.16 (0.48) |
| 2030 | 1.95 (0.18) | 20" (508) | 14 1/16" (357) | 4.03 (0.37) | 1.95 (0.18) | 45 3/8" (1152) | 6.14 (0.57) |
| 2036 | 2.37 (0.22) | 20" (508) | 17 1/16" (433) | 4.80 (0.45) | 2.37 (0.22) | 39 3/8" (1000) | 7.12 (0.66) |
| 2040 | 2.78 (0.26) | 20" (508) | 20 1/16" (509) | 5.58 (0.52) | 2.78 (0.26) | 33 3/8" (847) | 8.10 (0.75) |
| 2046 | 3.20 (0.30) | 20" (508) | 23 1/16" (585) | 6.36 (0.59) | 3.20 (0.30) | 27 3/8" (695) | 9.08 (0.84) |
| 2050 | 3.62 (0.34) | 20" (508) | 26 1/16" (661) | 7.13 (0.66) | 3.62 (0.34) | 21 3/8" (542) | 10.06 (0.93) |
| 2056 | 4.03 (0.37) | 20" (508) | 29 1/16" (738) | 7.91 (0.73) | 4.03 (0.37) | 15 3/8" (390) | 11.04 (1.03) |
| 2060 | 4.45 (0.41) | 20" (508) | 32 1/16" (814) | 8.68 (0.81) | 4.45 (0.41) | 9 3/8" (238) | 12.02 (1.12) |
| 2066 | 4.87 (0.45) | 20" (508) | 35 1/16" (890) | 9.46 (0.88) | 4.87 (0.45) | 16 7/8" (429)** | 12.99 (1.21) |
| 2070* | 3.48 (0.32) | 20" (508) | 25 1/16" (636) | 10.48 (0.97) | 3.48 (0.32) | 10 7/8" (276)** | 13.97 (1.30) |
| 2076* | 3.76 (0.35) | 20" (508) | 27 1/16" (687) | 11.28 (1.05) | 3.76 (0.35) | 4 7/8" (124)** | 14.95 (1.39) |
| 2626 | 1.99 (0.19) | 26" (660) | 11 1/16" (280) | 4.39 (0.41) | 1.99 (0.19) | 50 9/16" (1284) | 6.59 (0.61) |
| 2630 | 2.53 (0.24) | 26" (660) | 14 1/16" (357) | 5.41 (0.50) | 2.53 (0.24) | 44 9/16" (1132) | 7.82 (0.73) |
| 2636 | 3.08 (0.29) | 26" (660) | 17 1/16" (433) | 6.44 (0.60) | 3.08 (0.29) | 38 9/16" (979) | 9.05 (0.84) |
| 2640 | 3.62 (0.34) | 26" (660) | 20 1/16" (509) | 7.46 (0.69) | 3.62 (0.34) | 32 9/16" (827) | 10.28 (0.95) |
| 2646 | 4.16 (0.39) | 26" (660) | 23 1/16" (585) | 8.49 (0.79) | 4.16 (0.39) | 26 9/16" (674) | 11.51 (1.07) |
| 2650 | 4.70 (0.44) | 26" (660) | 26 1/16" (661) | 9.52 (0.88) | 4.70 (0.44) | 20 9/16" (522) | 12.74 (1.18) |
| 2656 | 5.24 (0.49) | 26" (660) | 29 1/16" (738) | 10.54 (0.98) | 5.24 (0.49) | 14 9/16" (370) | 13.97 (1.30) |
| 2660 ◊ | 5.78 (0.54) | 26" (660) | 32 1/16" (814) | 11.57 (1.07) | 5.78 (0.54) | 8 9/16" (217) | 15.20 (1.41) |
| 2666 ◊ | 6.33 (0.59) | 26" (660) | 35 1/16" (890) | 12.59 (1.17) | 6.33 (0.59) | 16 1/16" (429)** | 16.42 (1.53) |
| 2670* | 4.52 (0.42) | 26" (660) | 25 1/16" (636) | 13.87 (1.29) | 4.52 (0.42) | 10 1/16" (256)** | 17.65 (1.64) |
| 2676* | 4.88 (0.45) | 26" (660) | 27 1/16" (687) | 14.91 (1.39) | 4.88 (0.45) | 4 1/16" (103)** | 18.88 (1.75) |
| 3026 | 2.45 (0.23) | 32" (813) | 11 1/16" (280) | 5.57 (0.52) | 2.45 (0.23) | 49 3/4" (1263) | 8.07 (0.75) |
| 3030 | 3.12 (0.29) | 32" (813) | 14 1/16" (357) | 6.84 (0.64) | 3.12 (0.29) | 43 3/4" (1111) | 9.54 (0.89) |

**"Top of Subfloor to Top of Inside Sill Stop" is calculated based upon a structural header height of 6'-10 1/2" (2096) except for XX66, XX70 and XX76 heights, which are calculated using a header height of 8' (2438).
 • Dimensions in parentheses are in millimeters or square meters.
 ◊ Meets or exceed clear opening area of 5.7 sq. ft. or 0.53 m², clear opening width of 20" (508) and clear opening height of 24" (610).
 *Available only with a 2:1 reverse cottage sash ratio.
 **Calculated based upon a structural header height of 8' (2438).

continued on page 33

SINGLE-HUNG WINDOWS

Table of Single-Hung Window Sizes

Scale 1/8" (3) = 1'-0" (305) – 1:96

| Window Dimension | 1'-5 1/2" | 1'-11 1/2" | 2'-5 1/2" | 2'-11 1/2" | 3'-5 1/2" | 3'-11 1/2" |
|---|-----------|------------|-----------|------------|-----------|------------|
| Minimum Rough Opening | 1'-6" | 2'-0" | 2'-6" | 3'-0" | 3'-6" | 4'-0" |
| Unobstructed Glass (height of single sash) | 11 1/4" | 17 1/4" | 23 1/4" | 29 1/4" | 35 1/4" | 41 1/4" |
| | (286) | (438) | (591) | (743) | (895) | (1048) |

| CUSTOM HEIGHTS – 23 1/2" to 77 1/2" | CUSTOM WIDTHS – 17 1/2" to 47 1/2" | | | | | |
|-------------------------------------|------------------------------------|------------|-----------|------------|-----------|------------|
| | 1'-5 1/2" | 1'-11 1/2" | 2'-5 1/2" | 2'-11 1/2" | 3'-5 1/2" | 3'-11 1/2" |
| 1'-11 1/2" | 1620 | 2020 | 2620 | 3020 | 3620 | 4020 |
| 2'-5 1/2" | 1626 | 2026 | 2626 | 3026 | 3626 | 4026 |
| 2'-11 1/2" | 1630 | 2030 | 2630 | 3030 | 3630 | 4030 |
| 3'-5 1/2" | 1636 | 2036 | 2636 | 3036 | 3636 | 4036 |
| 3'-11 1/2" | 1640 | 2040 | 2640 | 3040 | 3640 | 4040 |
| 4'-5 1/2" | 1646 | 2046 | 2646 | 3046 | 3646 | 4046 |
| 4'-11 1/2" | 1650 | 2050 | 2650† | 3050† | 3650† | 4050† |
| 5'-5 1/2" | 1656 | 2056 | 2656† | 3056† | 3656† | 4056† |
| 5'-11 1/2" | 1660 | 2060 | 2660† | 3060† | 3660† | 4060† |
| 6'-5 1/2" | 1666 | 2066 | 2666† | 3066† | 3666† | 4066† |
| 6'-11 1/2" | 1670 | 2070 | 2670† | 3070† | 3670† | 4070† |

Reverse cottage sash is available based on a 3:2 ratio. Available in standard widths for the heights shown below.

REVERSE COTTAGE CUSTOM WIDTHS – 17 1/2" (445) to 47 1/2" (1207)

REVERSE COTTAGE CUSTOM HEIGHTS – 29 1/2" (749) to 77 1/2" (1969)



Custom-size windows are available in 1/8" (3) increments. See page 89 for custom sizes and specifications.

For construction site convenience, an optional drywall pass-through window is available for removal and reinstallation of the upper and lower sash.



Windows with a height greater than 6'-5 1/2" (1969) are only available with a 2:1 reverse cottage sash ratio.** Size tables for all windows with reverse cottage sash are available on andersenwindows.com.

Details shown on pages 50-51.

Grille patterns shown on page 47.

* "Window Dimension" always refers to outside frame-to-frame dimension.
 • "Minimum Rough Opening" dimensions may need to be increased to allow for use of building wraps, flashing, sill panning, brackets, fasteners or other items. See page 110 for more details.
 • Dimensions in parentheses are in millimeters.
 † Meets or exceed clear opening area of 5.7 sq. ft. or 0.53 m², clear opening width of 20" (508) and clear opening height of 24" (610). See table on page 39.
 ‡ Drywall pass-through window available for these standard and reverse cottage sizes and for custom-size windows wider than 1'-11 1/2" (597) and taller than 4'-5 1/2" (1359).
 *For reverse cottage sash windows, meeting rail location = (window height in inches x 0.40) + 1.96".
 **For heights greater than 6'-5 1/2" (1969), meeting rail location = (window height in inches x 0.33) + 1.96".

continued on next page

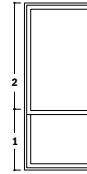
Table of Single-Hung Window Sizes (continued)

Scale 1/8" (3) = 1'-0" (305) – 1:96

| Window Dimension | 1'-5 1/2" | 1'-11 1/2" | 2'-5 1/2" | 2'-11 1/2" | 3'-5 1/2" | 3'-11 1/2" |
|------------------------------|-----------|------------|-----------|------------|-----------|------------|
| | (445) | (597) | (749) | (902) | (1054) | (1207) |
| Minimum Rough Opening | 1'-6" | 2'-0" | 2'-6" | 3'-0" | 3'-6" | 4'-0" |
| | (457) | (610) | (762) | (914) | (1067) | (1219) |
| Unobstructed Glass | 11 1/4" | 17 1/4" | 23 1/4" | 29 1/4" | 35 1/4" | 41 1/4" |
| | (286) | (438) | (591) | (743) | (895) | (1048) |

| CUSTOM WIDTHS | | CUSTOM HEIGHTS | | | | | |
|---------------------|-----------------|--------------------|------------------|-------|-------|-------|-------|
| 7'-5 1/2" (2273) | 7'-6" (2286) | 1676 | 2076 | 2676† | 3076† | 3676† | 4076† |
| | | 54 7/16" (1383) | 26 5/8" (676) | | | | |

Notes on previous page also apply to this page.



Windows with a height greater than 6'-5 1/2" (1969) are only available with a 2:1 reverse cottage sash ratio. Size tables for all windows with reverse cottage sash are available on andersenwindows.com.

- "Window Dimension" always refers to outside frame-to-frame dimension.
- "Minimum Rough Opening" dimensions may need to be increased to allow for use of building wraps, flashing, sill panning, brackets, fasteners or other items. See page 110 for more details.
- Dimensions in parentheses are in millimeters.
- ◊ Meets or exceed clear opening area of 5.7 sq. ft. or 0.53 m², clear opening width of 20" (508) and clear opening height of 24" (610). See table on bottom of this page.
- † Drywall pass-through window available for these standard and reverse cottage sizes and for custom-size windows wider than 1'-11 1/2" (597) and taller than 4'-5 1/2" (1359).
- * For heights greater than 6'-5 1/2" (1969), meeting rail location = (window height in inches x 0.33) + 1.96".

Arch Single-Hung Window Opening and Area Specifications (continued from page 31)

| Window Number | Clear Opening Area Sq. Ft./ (m ²) | Clear Opening in Full Open Position | | Glass Area Sq. Ft./ (m ²) | Vent Area Sq. Ft./ (m ²) | Top of Subfloor to Top of Inside Sill Stop Inches/(mm) | Overall Window Area Sq. Ft./ (m ²) |
|---------------|---|-------------------------------------|--------------------|---------------------------------------|--------------------------------------|--|--|
| | | Width Inches/(mm) | Height Inches/(mm) | | | | |
| 3036 | 3.79 (0.35) | 32" (813) | 17 1/16" (433) | 8.12 (0.75) | 3.79 (0.35) | 37 3/4" (959) | 11.02 (1.02) |
| 3040 | 4.45 (0.41) | 32" (813) | 20 1/16" (509) | 9.39 (0.87) | 4.45 (0.41) | 31 3/4" (806) | 12.50 (1.16) |
| 3046 | 5.12 (0.48) | 32" (813) | 23 1/16" (585) | 10.67 (0.99) | 5.12 (0.48) | 25 3/4" (654) | 13.98 (1.30) |
| 3050 ◊ | 5.79 (0.54) | 32" (813) | 26 1/16" (661) | 11.95 (1.11) | 5.79 (0.54) | 19 3/4" (501) | 15.46 (1.44) |
| 3056 ◊ | 6.45 (0.60) | 32" (813) | 29 1/16" (738) | 13.22 (1.23) | 6.45 (0.60) | 13 3/4" (349) | 16.94 (1.57) |
| 3060 ◊ | 7.12 (0.66) | 32" (813) | 32 1/16" (814) | 14.50 (1.35) | 7.12 (0.66) | 7 3/4" (197) | 18.42 (1.71) |
| 3066 ◊ | 7.79 (0.72) | 32" (813) | 35 1/16" (890) | 15.77 (1.47) | 7.79 (0.72) | 15 1/4"*** (387)** | 19.90 (1.85) |
| 3070* | 5.56 (0.52) | 32" (813) | 25 1/16" (636) | 17.30 (1.61) | 5.56 (0.52) | 9 1/4"*** (235)** | 21.38 (1.99) |
| 3076 ◊* | 6.01 (0.56) | 32" (813) | 27 1/16" (687) | 18.59 (1.73) | 6.01 (0.56) | 3 1/4"*** (83)** | 22.86 (2.12) |
| 3626 | 2.91 (0.27) | 38" (965) | 11 1/16" (280) | 6.79 (0.63) | 2.91 (0.27) | 48 15/16" (1243) | 9.59 (0.89) |
| 3630 | 3.70 (0.34) | 38" (965) | 14 1/16" (357) | 8.32 (0.77) | 3.70 (0.34) | 42 15/16" (1091) | 11.31 (1.05) |
| 3636 | 4.50 (0.42) | 38" (965) | 17 1/16" (433) | 9.84 (0.91) | 4.50 (0.42) | 36 15/16" (938) | 13.04 (1.21) |
| 3640 | 5.29 (0.49) | 38" (965) | 20 1/16" (509) | 11.37 (1.06) | 5.29 (0.49) | 30 15/16" (786) | 14.77 (1.37) |
| 3646 | 6.08 (0.56) | 38" (965) | 23 1/16" (585) | 12.89 (1.20) | 6.08 (0.56) | 24 15/16" (633) | 16.50 (1.53) |
| 3650 ◊ | 6.87 (0.64) | 38" (965) | 26 1/16" (661) | 14.42 (1.34) | 6.87 (0.64) | 18 15/16" (481) | 18.23 (1.69) |
| 3656 ◊ | 7.66 (0.71) | 38" (965) | 29 1/16" (738) | 15.95 (1.48) | 7.66 (0.71) | 12 15/16" (329) | 19.96 (1.85) |
| 3660 ◊ | 8.45 (0.79) | 38" (965) | 32 1/16" (814) | 17.47 (1.62) | 8.45 (0.79) | 6 15/16" (176) | 21.69 (2.02) |
| 3666 ◊ | 9.25 (0.86) | 38" (965) | 35 1/16" (890) | 19.00 (1.77) | 9.25 (0.86) | 14 7/16"*** (367)** | 23.42 (2.18) |
| 3670 ◊* | 6.61 (0.61) | 38" (965) | 25 1/16" (636) | 20.77 (1.93) | 6.61 (0.61) | 8 1/16"*** (214)** | 25.15 (2.34) |
| 3676 ◊* | 7.14 (0.66) | 38" (965) | 27 1/16" (687) | 22.32 (2.07) | 7.14 (0.66) | 2 1/16"*** (62)** | 26.88 (2.50) |

- "Top of Subfloor to Top of Inside Sill Stop" is calculated based upon a structural header height of 6'-10 1/2" (2096) except for XX66, XX70 and XX76 heights, which are calculated using a header height of 8' (2438).
- Dimensions in parentheses are in millimeters or square meters.
- ◊ Meets or exceed clear opening area of 5.7 sq. ft. or 0.53 m², clear opening width of 20" (508) and clear opening height of 24" (610).
- * Available only with a 2:1 reverse cottage sash ratio.
- ** Calculated based upon a structural header height of 8' (2438).

Single-Hung Window Opening and Area Specifications

| Window Number | Clear Opening Area Sq. Ft./ (m ²) | Clear Opening in Full Open Position | | Glass Area Sq. Ft./ (m ²) | Vent Area Sq. Ft./ (m ²) | Top of Subfloor to Top of Inside Sill Stop Inches/(mm) | Overall Window Area Sq. Ft./ (m ²) |
|---------------|---|-------------------------------------|--------------------|---------------------------------------|--------------------------------------|--|--|
| | | Width Inches/(mm) | Height Inches/(mm) | | | | |
| 1620 | 0.78 (0.07) | 14" (356) | 8 1/16" (204) | 1.18 (0.11) | 0.78 (0.07) | 60 1/2" (1537) | 2.86 (0.27) |
| 1626 | 1.07 (0.10) | 14" (356) | 11 1/16" (280) | 1.65 (0.15) | 1.07 (0.10) | 54 1/2" (1384) | 3.59 (0.33) |
| 1630 | 1.37 (0.13) | 14" (356) | 14 1/16" (357) | 2.12 (0.20) | 1.37 (0.13) | 48 1/2" (1232) | 4.31 (0.40) |
| 1636 | 1.66 (0.15) | 14" (356) | 17 1/16" (433) | 2.59 (0.24) | 1.66 (0.15) | 42 1/2" (1080) | 5.04 (0.47) |
| 1640 | 1.95 (0.18) | 14" (356) | 20 1/16" (509) | 3.05 (0.28) | 1.95 (0.18) | 36 1/2" (927) | 5.77 (0.54) |
| 1646 | 2.24 (0.21) | 14" (356) | 23 1/16" (585) | 3.52 (0.33) | 2.24 (0.21) | 30 1/2" (775) | 6.50 (0.60) |
| 1650 | 2.53 (0.24) | 14" (356) | 26 1/16" (661) | 3.99 (0.37) | 2.53 (0.24) | 24 1/2" (622) | 7.23 (0.67) |
| 1656 | 2.82 (0.26) | 14" (356) | 29 1/16" (738) | 4.46 (0.41) | 2.82 (0.26) | 18 1/2" (470) | 7.96 (0.74) |
| 1660 | 3.12 (0.29) | 14" (356) | 32 1/16" (814) | 4.93 (0.46) | 3.12 (0.29) | 12 1/2" (318) | 8.69 (0.81) |
| 1666 | 3.41 (0.32) | 14" (356) | 35 1/16" (890) | 5.40 (0.50) | 3.41 (0.32) | 6 1/2" (165) | 9.42 (0.88) |
| 1670* | 2.43 (0.23) | 14" (356) | 25 1/16" (636) | 5.87 (0.55) | 2.43 (0.23) | 14"*** (356)** | 10.15 (0.94) |

For reverse cottage, twin and triple single-hung window specifications, see pages 41, 43 and 45.

- "Top of Subfloor to Top of Inside Sill Stop" is calculated based upon a structural header height of 6'-10 1/2" (2096) except for XX70 and XX76 heights, which are calculated using a header height of 8' (2438).
- Dimensions in parentheses are in millimeters or square meters.
- ◊ Meets or exceed clear opening area of 5.7 sq. ft. or 0.53 m², clear opening width of 20" (508) and clear opening height of 24" (610).
- * Available only with a 2:1 reverse cottage sash ratio.
- ** Calculated based upon a structural header height of 8' (2438).

continued on page 39

SINGLE-HUNG WINDOWS

Table of Twin and Triple Single-Hung Window Sizes

Notes on next page also apply to this page.

Scale 1/8" (3) = 1'-0" (305) – 1:96

| Window Dimension | 2'-11 1/2" | 3'-11 1/2" | 4'-11 1/2" | 5'-11 1/2" | 6'-11 1/2" | 7'-11 1/2" | 4'-5 1/2" |
|--|------------|------------|------------|------------|------------|------------|-----------|
| | (902) | (1207) | (1511) | (1816) | (2121) | (2426) | (1359) |
| Minimum Rough Opening | 3'-0" | 4'-0" | 5'-0" | 6'-0" | 7'-0" | 8'-0" | 4'-6" |
| | (914) | (1219) | (1524) | (1829) | (2134) | (2438) | (1372) |
| Unobstructed Glass (width of single sash) | 11 1/4" | 17 1/4" | 23 1/4" | 29 1/4" | 35 1/4" | 41 1/4" | 11 1/4" |
| | (286) | (438) | (591) | (743) | (895) | (1048) | (286) |

CUSTOM WIDTHS TWIN – 35 1/2" to 95 1/2"

| Window Dimension | CUSTOM WIDTHS TWIN – 35 1/2" to 95 1/2" | | | | | | |
|-------------------|---|--------|--------|--------|--------|--------|--------|
| | 1610-2 | 2010-2 | 2610-2 | 3010-2 | 3610-2 | 4010-2 | 1610-3 |
| 11 1/2" (292) | | | | | | | |
| 1'-5 1/2" (445) | | | | | | | |
| 1'-6" (457) | | | | | | | |
| 1'-11 1/2" (597) | | | | | | | |
| 2'-0" (610) | | | | | | | |
| 17 1/4" (438) | | | | | | | |
| 1'-11 1/2" (597) | | | | | | | |
| 2'-5 1/2" (749) | | | | | | | |
| 2'-6" (762) | | | | | | | |
| 10 9/16" (268) | | | | | | | |
| 2'-11 1/2" (902) | | | | | | | |
| 3'-0" (914) | | | | | | | |
| 13 9/16" (345) | | | | | | | |
| 3'-5 1/2" (1054) | | | | | | | |
| 3'-6" (1067) | | | | | | | |
| 16 9/16" (421) | | | | | | | |
| 3'-11 1/2" (1207) | | | | | | | |
| 4'-0" (1219) | | | | | | | |
| 19 9/16" (497) | | | | | | | |
| 4'-5 1/2" (1359) | | | | | | | |
| 4'-6" (1372) | | | | | | | |
| 22 9/16" (573) | | | | | | | |
| 4'-11 1/2" (1511) | | | | | | | |
| 5'-0" (1524) | | | | | | | |
| 25 9/16" (649) | | | | | | | |
| 5'-5 1/2" (1664) | | | | | | | |
| 5'-6" (1676) | | | | | | | |
| 28 9/16" (726) | | | | | | | |
| 5'-11 1/2" (1816) | | | | | | | |
| 6'-0" (1829) | | | | | | | |
| 31 9/16" (802) | | | | | | | |

* "Window Dimension" always refers to outside frame-to-frame dimension.

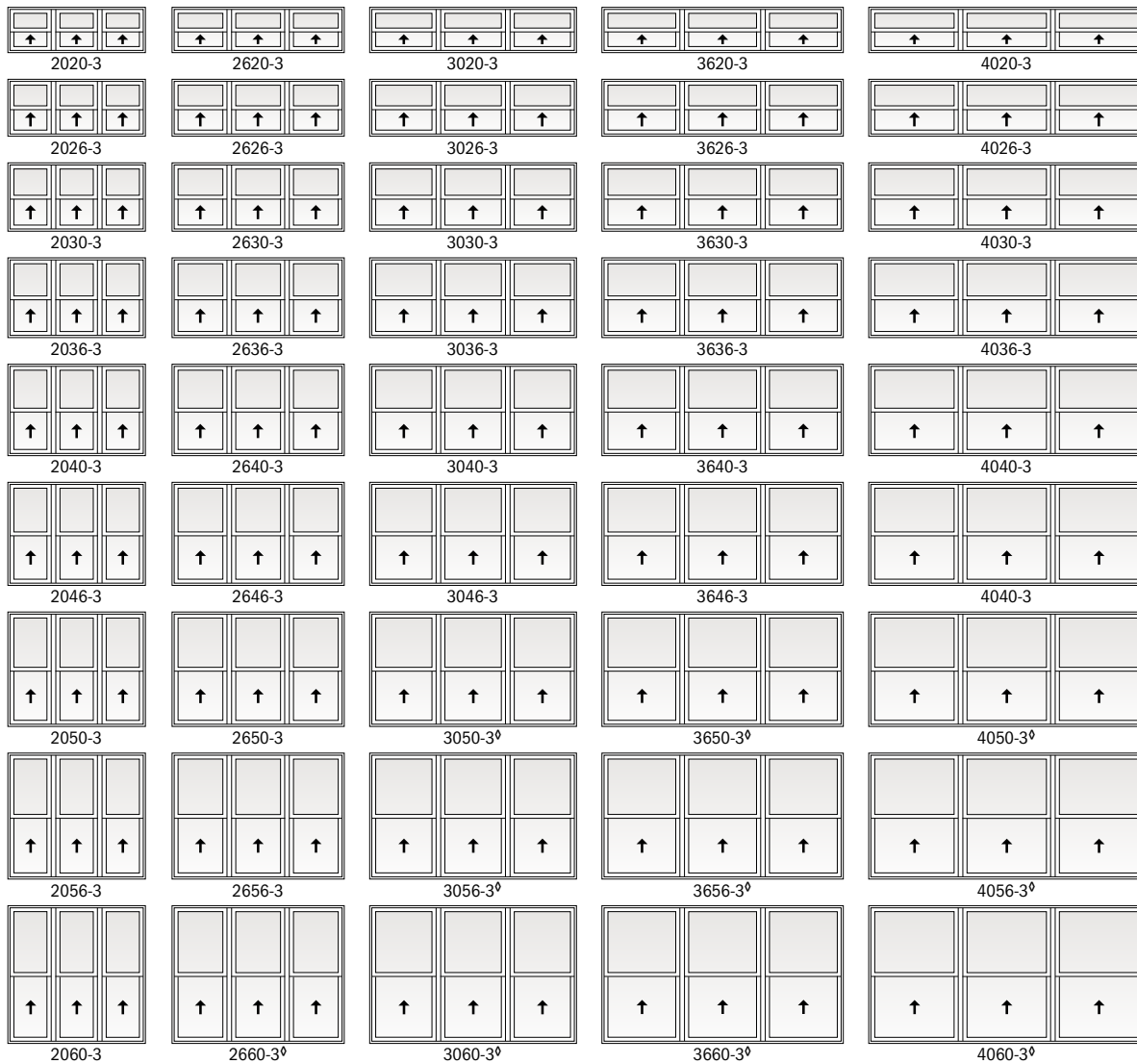
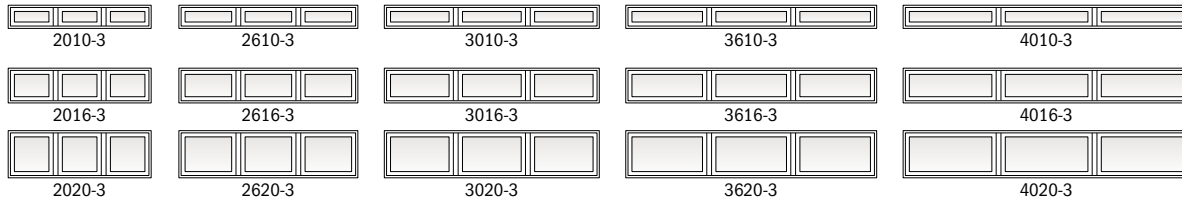
** "Minimum Rough Opening" dimensions may need to be increased to allow for use of building wraps, flashing, sill panning, brackets, fasteners or other items. See page 110 for more details.

• Dimensions in parentheses are in millimeters.

◊ Meets or exceeds clear opening area of 5.7 sq. ft. 0.53 m², clear opening width of 20" (508) and clear opening height of 24" (610). See tables on pages 43 and 45.

| | | | | |
|----------------------|---------------------|----------------------|----------------------|-----------------------|
| 5'-11 1/2" (1816) | 7'-5 1/2" (2273) | 8'-11 1/2" (2731) | 10'-5 1/2" (3188) | 11'-11 1/2" (3645) |
| 6'-0" (1829) | 7'-6" (2286) | 9'-0" (2743) | 10'-6" (3200) | 12'-0" (3658) |
| 17 1/4" (438) | 23 1/4" (591) | 29 1/4" (743) | 35 1/4" (895) | 41 1/4" (1048) |

CUSTOM WIDTHS TRIPLE – 53 1/2" to 143 1/2"



Custom-size windows are available in 1/8" (3) increments. See page 89 for custom sizes and specifications.

Windows have one continuous outer frame.

Twin and triple transoms are also shown. See pages 70-71 for more information.

Details shown on pages 50-51. Grille patterns shown on page 47.

*"Window Dimension" always refers to outside frame-to-frame dimension.
 • "Minimum Rough Opening" dimensions may need to be increased to allow for use of building wraps, flashing, sill panning, brackets, fasteners or other items. See page 110 for more details.
 • Dimensions in parentheses are in millimeters.
 ◊Meets or exceed clear opening area of 5.7 sq. ft. or 0.53 m², clear opening width of 20" (508) and clear opening height of 24" (610). See tables on pages 43 and 45.

SINGLE-HUNG WINDOWS

Table of Sizes - 10-High Transom Window Over Single-Hung

Scale 1/8" (3) = 1'-0" (305) – 1:96

| Window Dimension | 1'-5 1/2" | 1'-11 1/2" | 2'-5 1/2" | 2'-11 1/2" | 3'-5 1/2" | 3'-11 1/2" |
|---|--------------|--------------|---------------------------|---------------------------|---------------------------|---------------------------|
| | (445) | (597) | (749) | (902) | (1054) | (1207) |
| Minimum Rough Opening | 1'-6" | 2'-0" | 2'-6" | 3'-0" | 3'-6" | 4'-0" |
| | (457) | (610) | (762) | (914) | (1067) | (1219) |
| Unobstructed Glass <small>(height of individual single-hung sash only)</small> | 11 1/4" | 17 1/4" | 23 1/4" | 29 1/4" | 35 1/4" | 41 1/4" |
| | (286) | (438) | (591) | (743) | (895) | (1048) |
| 3'-11 1/2" | | | | | | |
| | 1610 1630 | 2010 2030 | 2610 2630 | 3010 3030 | 3610 3630 | 4010 4030 |
| 4'-5 1/2" | | | | | | |
| | 1610 1636 | 2010 2036 | 2610 2636 | 3010 3036 | 3610 3636 | 4010 4036 |
| 4'-11 1/2" | | | | | | |
| | 1610 1640 | 2010 2040 | 2610 2640 | 3010 3040 | 3610 3640 | 4010 4040 |
| 5'-5 1/2" | | | | | | |
| | 1610 1646 | 2010 2046 | 2610 2646 | 3010 3046 | 3610 3646 | 4010 4046 |
| 5'-11 1/2" | | | | | | |
| | 1610 1650 | 2010 2050 | 2610 2650 | 3010 3050 ^o | 3610 3650 ^o | 4010 4050 ^o |
| 6'-5 1/2" | | | | | | |
| | 1610 1656 | 2010 2056 | 2610 2656 | 3010 3056 ^o | 3610 3656 ^o | 4010 4056 ^o |
| 6'-11 1/2" | | | | | | |
| | 1610 1660 | 2010 2060 | 2610 2660 ^o | 3010 3060 ^o | 3610 3660 ^o | 4010 4060 ^o |

Windows have one continuous outer frame.

Unobstructed glass height dimension of upper transom sash is 5 1/4" (133).

Details shown on pages 50-51.

Grille patterns shown on page 47.

* "Window Dimension" always refers to outside frame-to-frame dimension.

** "Minimum Rough Opening" dimensions may need to be increased to allow for use of building wraps, flashing, sill panning, brackets, fasteners or other items. See page 110 for more details.

• Dimensions in parentheses are in millimeters.

^oMeets or exceeds clear opening area of 5.7 sq. ft. or 0.53 m², clear opening width of 20" (508) and clear opening height of 24" (610).

Table of Sizes – 16-High Transom Window Over Single-Hung

Scale 1/8" (3) = 1'-0" (305) – 1:96

| Window Dimension | 1'-5 1/2" (445) | 1'-11 1/2" (597) | 2'-5 1/2" (749) | 2'-11 1/2" (902) | 3'-5 1/2" (1054) | 3'-11 1/2" (1207) |
|---|--------------------|---------------------|--------------------|---------------------|---------------------|----------------------|
| Minimum Rough Opening | 1'-6" (457) | 2'-0" (610) | 2'-6" (762) | 3'-0" (914) | 3'-6" (1067) | 4'-0" (1219) |
| Unobstructed Glass <small>(height of individual single-hung sash only)</small> | 11 1/4" (286) | 17 1/4" (438) | 23 1/4" (591) | 29 1/4" (743) | 35 1/4" (895) | 41 1/4" (1048) |

| | | | | | | |
|----------------------|-----------------|---------------------------|---------------------------|---------------------------|---------------------------|-----------------|
| 4'-5 1/2" (1359) | 4'-6" (1372) | 4'-6" (1372) | 4'-6" (1372) | 4'-6" (1372) | 4'-6" (1372) | 4'-6" (1372) |
| 1616 1630 | 2016 2030 | 2616 2630 | 3016 3030 | 3616 3630 | 4016 4030 | |
| 4'-11 1/2" (1511) | 5'-0" (1524) | 5'-0" (1524) | 5'-0" (1524) | 5'-0" (1524) | 5'-0" (1524) | 5'-0" (1524) |
| 1616 1636 | 2016 2036 | 2616 2636 | 3016 3036 | 3616 3636 | 4016 4036 | |
| 5'-5 1/2" (1664) | 5'-6" (1676) | 5'-6" (1676) | 5'-6" (1676) | 5'-6" (1676) | 5'-6" (1676) | 5'-6" (1676) |
| 1616 1640 | 2016 2040 | 2616 2640 | 3016 3040 | 3616 3640 | 4016 4040 | |
| 5'-11 1/2" (1816) | 6'-0" (1829) | 6'-0" (1829) | 6'-0" (1829) | 6'-0" (1829) | 6'-0" (1829) | 6'-0" (1829) |
| 1616 1646 | 2016 2046 | 2616 2646 | 3016 3046 | 3616 3646 | 4016 4046 | |
| 6'-5 1/2" (1969) | 6'-6" (1981) | 6'-6" (1981) | 6'-6" (1981) | 6'-6" (1981) | 6'-6" (1981) | 6'-6" (1981) |
| 1616 1650 | 2016 2050 | 2616 2650 | 3016 3050 ^o | 3616 3650 ^o | 4016 4050 ^o | |
| 6'-11 1/2" (2121) | 7'-0" (2134) | 7'-0" (2134) | 7'-0" (2134) | 7'-0" (2134) | 7'-0" (2134) | 7'-0" (2134) |
| 1616 1656 | 2016 2056 | 2616 2656 | 3016 3056 ^o | 3616 3656 ^o | 4016 4056 ^o | |
| 7'-5 1/2" (2273) | 7'-6" (2286) | 7'-6" (2286) | 7'-6" (2286) | 7'-6" (2286) | 7'-6" (2286) | 7'-6" (2286) |
| 1616 1660 | 2016 2060 | 2616 2660 ^o | 3016 3060 ^o | 3616 3660 ^o | 4016 4060 ^o | |

Windows have one continuous outer frame.

Unobstructed glass height dimension of upper transom sash is 11 1/4" (286).

Details shown on pages 50-51.

Grille patterns shown on page 47.

*"Window Dimension" always refers to outside frame-to-frame dimension.
 • "Minimum Rough Opening" dimensions may need to be increased to allow for use of building wraps, flashing, sill panning, brackets, fasteners or other items. See page 110 for more details.
 • Dimensions in parentheses are in millimeters.
 ◊Meets or exceed clear opening area of 5.7 sq. ft. or 0.53 m², clear opening width of 20" (508) and clear opening height of 24" (610).

SINGLE-HUNG WINDOWS

Table of Sizes - 20-High Transom Window Over Single-Hung

Scale 1/8" (3) = 1'-0" (305) – 1:96

| Window Dimension | 1'-5 1/2" | 1'-11 1/2" | 2'-5 1/2" | 2'-11 1/2" | 3'-5 1/2" | 3'-11 1/2" |
|---|-----------|------------|-----------|------------|-----------|------------|
| | (445) | (597) | (749) | (902) | (1054) | (1207) |
| Minimum Rough Opening | 1'-6" | 2'-0" | 2'-6" | 3'-0" | 3'-6" | 4'-0" |
| | (457) | (610) | (762) | (914) | (1067) | (1219) |
| Unobstructed Glass <small>(height of individual single-hung sash only)</small> | 11 1/4" | 17 1/4" | 23 1/4" | 29 1/4" | 35 1/4" | 41 1/4" |
| | (286) | (438) | (591) | (743) | (895) | (1048) |

| | | | | | | |
|------------|--------|--------|-------------------|-------------------|-------------------|-------------------|
| 4'-11 1/2" | (1511) | (1511) | (1511) | (1511) | (1511) | (1511) |
| 5'-0" | (1524) | (1524) | (1524) | (1524) | (1524) | (1524) |
| 13 9/16" | (345) | (345) | (345) | (345) | (345) | (345) |
| | 1620 | 2020 | 2620 | 3020 | 3620 | 4020 |
| | 1630 | 2030 | 2630 | 3030 | 3630 | 4030 |
| 5'-5 1/2" | (1664) | (1664) | (1664) | (1664) | (1664) | (1664) |
| 5'-6" | (1676) | (1676) | (1676) | (1676) | (1676) | (1676) |
| 16 9/16" | (421) | (421) | (421) | (421) | (421) | (421) |
| | 1620 | 2020 | 2620 | 3020 | 3620 | 4020 |
| | 1636 | 2036 | 2636 | 3036 | 3636 | 4036 |
| 5'-11 1/2" | (1816) | (1816) | (1816) | (1816) | (1816) | (1816) |
| 6'-0" | (1829) | (1829) | (1829) | (1829) | (1829) | (1829) |
| 19 9/16" | (497) | (497) | (497) | (497) | (497) | (497) |
| | 1620 | 2020 | 2620 | 3020 | 3620 | 4020 |
| | 1640 | 2040 | 2640 | 3040 | 3640 | 4040 |
| 6'-5 1/2" | (1969) | (1969) | (1969) | (1969) | (1969) | (1969) |
| 6'-6" | (1981) | (1981) | (1981) | (1981) | (1981) | (1981) |
| 22 9/16" | (573) | (573) | (573) | (573) | (573) | (573) |
| | 1620 | 2020 | 2620 | 3020 | 3620 | 4020 |
| | 1646 | 2046 | 2646 | 3046 | 3646 | 4046 |
| 6'-11 1/2" | (2121) | (2121) | (2121) | (2121) | (2121) | (2121) |
| 7'-0" | (2134) | (2134) | (2134) | (2134) | (2134) | (2134) |
| 25 9/16" | (649) | (649) | (649) | (649) | (649) | (649) |
| | 1620 | 2020 | 2620 | 3020 | 3620 | 4020 |
| | 1650 | 2050 | 2650 | 3050 [◊] | 3650 [◊] | 4050 [◊] |
| 7'-5 1/2" | (2273) | (2273) | (2273) | (2273) | (2273) | (2273) |
| 7'-6" | (2286) | (2286) | (2286) | (2286) | (2286) | (2286) |
| 28 9/16" | (726) | (726) | (726) | (726) | (726) | (726) |
| | 1620 | 2020 | 2620 | 3020 | 3620 | 4020 |
| | 1656 | 2056 | 2656 | 3056 [◊] | 3656 [◊] | 4056 [◊] |
| 7'-11 1/2" | (2426) | (2426) | (2426) | (2426) | (2426) | (2426) |
| 8'-0" | (2438) | (2438) | (2438) | (2438) | (2438) | (2438) |
| 31 9/16" | (802) | (802) | (802) | (802) | (802) | (802) |
| | 1620 | 2020 | 2620 | 3020 | 3620 | 4020 |
| | 1660 | 2060 | 2660 [◊] | 3060 [◊] | 3660 [◊] | 4060 [◊] |

Windows have one continuous outer frame.

Unobstructed glass height dimension of upper transom sash is 17 1/4" (438).

Details shown on pages 50-51.

Grille patterns shown on page 47.

* "Window Dimension" always refers to outside frame-to-frame dimension.

◊ "Minimum Rough Opening" dimensions may need to be increased to allow for use of building wraps, flashing, sill panning, brackets, fasteners or other items. See page 110 for more details.

• Dimensions in parentheses are in millimeters.

◊ Meets or exceeds clear opening area of 5.7 sq. ft. or 0.53 m², clear opening width of 20" (508) and clear opening height of 24" (610).

Single-Hung Window Opening and Area Specifications *(continued from page 33)*

| Window Number | Clear Opening Area Sq. Ft./ (m ²) | | Clear Opening in Full Open Position | | Glass Area Sq. Ft./ (m ²) | Vent Area Sq. Ft./ (m ²) | Top of Subfloor to Top of Inside Sill Stop Inches/(mm) | Overall Window Area Sq. Ft./ (m ²) |
|---------------|--|------------|-------------------------------------|-----------------------|--|---|---|---|
| | | | Width Inches/(mm) | Height Inches/(mm) | | | | |
| 1676* | 2.63 (0.24) | 14" (356) | 27 1/16" (687) | 6.34 (0.59) | 2.63 (0.24) | 8*** (203)** | 10.88 (1.01) | |
| 2020 | 1.12 (0.10) | 20" (508) | 8 1/16" (204) | 1.81 (0.17) | 1.12 (0.10) | 60 1/2" (1537) | 3.84 (0.36) | |
| 2026 | 1.53 (0.14) | 20" (508) | 11 1/16" (280) | 2.53 (0.24) | 1.53 (0.14) | 54 1/2" (1384) | 4.81 (0.45) | |
| 2030 | 1.95 (0.18) | 20" (508) | 14 1/16" (357) | 3.25 (0.30) | 1.95 (0.18) | 48 1/2" (1232) | 5.79 (0.54) | |
| 2036 | 2.37 (0.22) | 20" (508) | 17 1/16" (433) | 3.96 (0.37) | 2.37 (0.22) | 42 1/2" (1080) | 6.77 (0.63) | |
| 2040 | 2.78 (0.26) | 20" (508) | 20 1/16" (509) | 4.68 (0.44) | 2.78 (0.26) | 36 1/2" (927) | 7.75 (0.72) | |
| 2046 | 3.20 (0.30) | 20" (508) | 23 1/16" (585) | 5.40 (0.50) | 3.20 (0.30) | 30 1/2" (775) | 8.73 (0.81) | |
| 2050 | 3.62 (0.34) | 20" (508) | 26 1/16" (661) | 6.12 (0.57) | 3.62 (0.34) | 24 1/2" (622) | 9.71 (0.90) | |
| 2056 | 4.03 (0.38) | 20" (508) | 29 1/16" (738) | 6.84 (0.64) | 4.03 (0.38) | 18 1/2" (470) | 10.69 (0.99) | |
| 2060 | 4.45 (0.41) | 20" (508) | 32 1/16" (814) | 7.56 (0.70) | 4.45 (0.41) | 12 1/2" (318) | 11.67 (1.08) | |
| 2066 | 4.87 (0.45) | 20" (508) | 35 1/16" (890) | 8.28 (0.77) | 4.87 (0.45) | 6 1/2" (165) | 12.65 (1.18) | |
| 2070* | 3.48 (0.32) | 20" (508) | 25 1/16" (636) | 9.00 (0.84) | 3.48 (0.32) | 14*** (356)** | 13.63 (1.27) | |
| 2076* | 3.76 (0.35) | 20" (508) | 27 1/16" (687) | 9.71 (0.90) | 3.76 (0.35) | 8*** (203)** | 14.61 (1.36) | |
| 2620 | 1.45 (0.14) | 26" (660) | 8 1/16" (204) | 2.44 (0.23) | 1.45 (0.14) | 60 1/2" (1537) | 4.81 (0.45) | |
| 2626 | 1.99 (0.19) | 26" (660) | 11 1/16" (280) | 3.41 (0.32) | 1.99 (0.19) | 54 1/2" (1384) | 6.04 (0.56) | |
| 2630 | 2.54 (0.24) | 26" (660) | 14 1/16" (357) | 4.37 (0.41) | 2.54 (0.24) | 48 1/2" (1232) | 7.27 (0.68) | |
| 2636 | 3.08 (0.29) | 26" (660) | 17 1/16" (433) | 5.34 (0.50) | 3.08 (0.29) | 42 1/2" (1080) | 8.50 (0.79) | |
| 2640 | 3.62 (0.34) | 26" (660) | 20 1/16" (509) | 6.31 (0.59) | 3.62 (0.34) | 36 1/2" (927) | 9.73 (0.90) | |
| 2646 | 4.16 (0.39) | 26" (660) | 23 1/16" (585) | 7.28 (0.68) | 4.16 (0.39) | 30 1/2" (775) | 10.96 (1.02) | |
| 2650 | 4.70 (0.44) | 26" (660) | 26 1/16" (661) | 8.25 (0.77) | 4.70 (0.44) | 24 1/2" (622) | 12.19 (1.13) | |
| 2656 | 5.24 (0.49) | 26" (660) | 29 1/16" (738) | 9.22 (0.86) | 5.24 (0.49) | 18 1/2" (470) | 13.42 (1.25) | |
| 2660 ◊ | 5.79 (0.54) | 26" (660) | 32 1/16" (814) | 10.19 (0.95) | 5.79 (0.54) | 12 1/2" (318) | 14.65 (1.36) | |
| 2666 ◊ | 6.33 (0.59) | 26" (660) | 35 1/16" (890) | 11.16 (1.04) | 6.33 (0.45) | 6 1/2" (165) | 15.88 (1.48) | |
| 2670* | 4.52 (0.42) | 26" (660) | 25 1/16" (636) | 12.12 (1.13) | 4.52 (0.42) | 14*** (356)** | 17.11 (1.59) | |
| 2676* | 4.88 (0.45) | 26" (660) | 27 1/16" (687) | 13.09 (1.22) | 4.88 (0.45) | 8*** (203)** | 18.34 (1.70) | |
| 3020 | 1.79 (0.17) | 32" (813) | 8 1/16" (204) | 3.07 (0.29) | 1.79 (0.17) | 60 1/2" (1537) | 5.79 (0.54) | |
| 3026 | 2.45 (0.23) | 32" (813) | 11 1/16" (280) | 4.28 (0.40) | 2.45 (0.23) | 54 1/2" (1384) | 7.27 (0.68) | |
| 3030 | 3.12 (0.29) | 32" (813) | 14 1/16" (357) | 5.50 (0.51) | 3.12 (0.29) | 48 1/2" (1232) | 8.75 (0.81) | |
| 3036 | 3.79 (0.35) | 32" (813) | 17 1/16" (433) | 6.72 (0.62) | 3.79 (0.35) | 42 1/2" (1080) | 10.23 (0.95) | |
| 3040 | 4.45 (0.41) | 32" (813) | 20 1/16" (509) | 7.94 (0.74) | 4.45 (0.41) | 36 1/2" (927) | 11.71 (1.09) | |
| 3046 | 5.12 (0.48) | 32" (813) | 23 1/16" (585) | 9.16 (0.85) | 5.12 (0.48) | 30 1/2" (775) | 13.19 (1.23) | |
| 3050 ◊ | 5.79 (0.54) | 32" (813) | 26 1/16" (661) | 10.38 (0.96) | 5.79 (0.54) | 24 1/2" (622) | 14.67 (1.36) | |
| 3056 ◊ | 6.45 (0.60) | 32" (813) | 29 1/16" (738) | 11.60 (1.08) | 6.45 (0.60) | 18 1/2" (470) | 16.15 (1.50) | |
| 3060 ◊ | 7.12 (0.66) | 32" (813) | 32 1/16" (814) | 12.82 (1.19) | 7.12 (0.66) | 12 1/2" (318) | 17.63 (1.64) | |
| 3066 ◊ | 7.79 (0.72) | 32" (813) | 35 1/16" (890) | 14.03 (1.30) | 7.79 (0.72) | 6 1/2" (165) | 19.11 (1.78) | |
| 3070* | 5.56 (0.52) | 32" (813) | 25 1/16" (636) | 15.25 (1.42) | 5.56 (0.52) | 14*** (356)** | 20.59 (1.91) | |
| 3076 ◊* | 6.01 (0.56) | 32" (813) | 27 1/16" (687) | 16.47 (1.53) | 6.01 (0.56) | 8*** (203)** | 22.06 (2.05) | |
| 3620 | 2.12 (0.20) | 38" (965) | 8 1/16" (204) | 3.69 (0.34) | 2.12 (0.20) | 60 1/2" (1537) | 6.77 (0.63) | |
| 3626 | 2.91 (0.27) | 38" (965) | 11 1/16" (280) | 5.16 (0.48) | 2.91 (0.27) | 54 1/2" (1384) | 8.50 (0.79) | |
| 3630 | 3.71 (0.34) | 38" (965) | 14 1/16" (357) | 6.63 (0.62) | 3.71 (0.34) | 48 1/2" (1232) | 10.23 (0.95) | |
| 3636 | 4.50 (0.42) | 38" (965) | 17 1/16" (433) | 8.10 (0.75) | 4.50 (0.42) | 42 1/2" (1080) | 11.96 (1.11) | |
| 3640 | 5.29 (0.49) | 38" (965) | 20 1/16" (509) | 9.57 (0.89) | 5.29 (0.49) | 36 1/2" (927) | 13.69 (1.27) | |
| 3646 | 6.08 (0.57) | 38" (965) | 23 1/16" (585) | 11.04 (1.03) | 6.08 (0.57) | 30 1/2" (775) | 15.42 (1.43) | |
| 3650 ◊ | 6.87 (0.64) | 38" (965) | 26 1/16" (661) | 12.51 (1.16) | 6.87 (0.64) | 24 1/2" (622) | 17.15 (1.59) | |
| 3656 ◊ | 7.66 (0.71) | 38" (965) | 29 1/16" (738) | 13.98 (1.30) | 7.66 (0.71) | 18 1/2" (470) | 18.88 (1.75) | |
| 3660 ◊ | 8.46 (0.79) | 38" (965) | 32 1/16" (814) | 15.44 (1.44) | 8.46 (0.79) | 12 1/2" (318) | 20.61 (1.91) | |
| 3666 ◊ | 9.25 (0.86) | 38" (965) | 35 1/16" (890) | 16.91 (1.57) | 9.25 (0.86) | 6 1/2" (165) | 22.34 (2.08) | |
| 3670 ◊* | 6.61 (0.61) | 38" (965) | 25 1/16" (636) | 18.38 (1.71) | 6.61 (0.61) | 14*** (356)** | 24.06 (2.24) | |
| 3676 ◊* | 7.14 (0.66) | 38" (965) | 27 1/16" (687) | 19.85 (1.84) | 7.14 (0.66) | 8*** (203)** | 25.79 (2.40) | |
| 4020 | 2.46 (0.23) | 44" (1118) | 8 1/16" (204) | 4.32 (0.40) | 2.46 (0.23) | 60 1/2" (1537) | 7.75 (0.72) | |
| 4026 | 3.37 (0.31) | 44" (1118) | 11 1/16" (280) | 6.04 (0.56) | 3.37 (0.31) | 54 1/2" (1384) | 9.73 (0.90) | |
| 4030 | 4.29 (0.40) | 44" (1118) | 14 1/16" (357) | 7.76 (0.72) | 4.29 (0.40) | 48 1/2" (1232) | 11.71 (1.09) | |
| 4036 | 5.21 (0.48) | 44" (1118) | 17 1/16" (433) | 9.48 (0.88) | 5.21 (0.48) | 42 1/2" (1080) | 13.69 (1.27) | |
| 4040 | 6.12 (0.57) | 44" (1118) | 20 1/16" (509) | 11.20 (1.04) | 6.12 (0.57) | 36 1/2" (927) | 15.67 (1.46) | |
| 4046 | 7.04 (0.65) | 44" (1118) | 23 1/16" (585) | 12.92 (1.20) | 7.04 (0.65) | 30 1/2" (775) | 17.65 (1.64) | |
| 4050 ◊ | 7.96 (0.74) | 44" (1118) | 26 1/16" (661) | 14.64 (1.36) | 7.96 (0.74) | 24 1/2" (622) | 19.63 (1.82) | |
| 4056 ◊ | 8.87 (0.82) | 44" (1118) | 29 1/16" (738) | 16.35 (1.52) | 8.87 (0.82) | 18 1/2" (470) | 21.61 (2.01) | |
| 4060 ◊ | 9.79 (0.91) | 44" (1118) | 32 1/16" (814) | 18.07 (1.68) | 9.79 (0.91) | 12 1/2" (318) | 23.59 (2.19) | |
| 4066 ◊ | 10.71 (1.00) | 44" (1118) | 35 1/16" (890) | 19.79 (1.84) | 10.70 (1.00) | 6 1/2" (165) | 25.56 (2.38) | |
| 4070 ◊* | 7.65 (0.71) | 44" (1118) | 25 1/16" (636) | 21.51 (2.00) | 7.65 (0.71) | 14*** (356)** | 27.54 (2.56) | |
| 4076 ◊* | 8.26 (0.77) | 44" (1118) | 27 1/16" (687) | 23.23 (2.16) | 8.26 (0.77) | 8*** (203)** | 29.52 (2.74) | |

For arch single-hung window specifications, see pages 31 and 33.

For reverse cottage, twin and triple single-hung window specifications, see pages 41, 43 and 45.

* "Top of Subfloor to Top of Inside Sill Stop" is calculated based upon a structural header height of 6'-10 1/2" (2096) except for XX70 and XX76 heights, which are calculated using a header height of 8' (2438).
 ◊ Meets or exceed clear opening area of 5.7 sq. ft. or 0.53 m², clear opening width of 20" (508) and clear opening height of 24" (610).
 * Available only with a 2:1 reverse cottage sash ratio.
 ** Calculated based upon a structural header height of 8' (2438).

SINGLE-HUNG WINDOWS

Table of Sizes - Picture Window With Flanking 16-Wide Single-Hungs

Scale 1/8" (3) = 1'-0" (305) – 1:96

| Window Dimension | 5'-11 1/2" (1816) | 6'-5 1/2" (1969) | 6'-11 1/2" (2121) | 7'-5 1/2" (2273) | 7'-11 1/2" (2426) | 8'-5 1/2" (2578) |
|--|----------------------|---------------------|----------------------|---------------------|----------------------|---------------------|
| Minimum Rough Opening | 6'-0" (1829) | 6'-6" (1981) | 7'-0" (2134) | 7'-6" (2286) | 8'-0" (2438) | 8'-6" (2591) |
| Unobstructed Glass (center sash only) | 29 1/4" (743) | 35 1/4" (895) | 41 1/4" (1048) | 47 1/4" (1200) | 53 1/4" (1353) | 59 1/4" (1505) |

| | | | | | | | | |
|----------------------|-----------------|-------------------|--|--|--|--|--|--|
| 11 1/4" (292) | 1'-0" (305) | 5 1/4" (133) | | | | | | |
| 1'-5 1/2" (445) | 1'-6" (457) | 11 1/4" (286) | | | | | | |
| 1'-11 1/2" (497) | 2'-0" (610) | 17 1/4" (438) | | | | | | |
| 3'-11 1/2" (1207) | 4'-0" (1219) | 41 1/4" (1048) | | | | | | |
| 4'-5 1/2" (1359) | 4'-6" (1372) | 47 1/4" (1200) | | | | | | |
| 4'-11 1/2" (1511) | 5'-0" (1524) | 53 1/4" (1353) | | | | | | |
| 5'-5 1/2" (1664) | 5'-6" (1676) | 59 1/4" (1505) | | | | | | |
| 5'-11 1/2" (1816) | 6'-0" (1829) | 65 1/4" (1657) | | | | | | |

Windows have one continuous outer frame.

Unobstructed glass width dimension of flanking sash is 11 1/4" (286). For unobstructed glass height dimensions of flanking single-hungs, see page 32.

Matching transoms are also shown.

Details shown on pages 50-51.

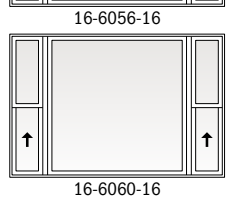
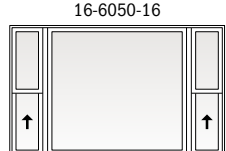
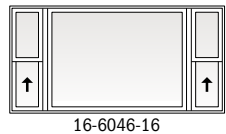
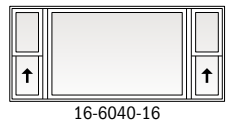
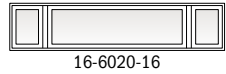
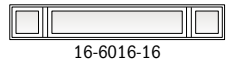
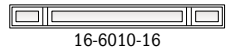
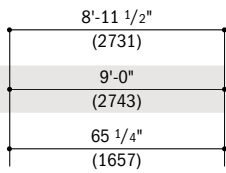
Grille patterns shown on page 47.

* "Window Dimension" always refers to outside frame-to-frame dimension.

* "Minimum Rough Opening" dimensions may need to be increased to allow for use of building wraps, flashing, sill panning, brackets, fasteners or other items. See page 110 for more details.

* Dimensions in parentheses are in millimeters.

See notes on previous page.



Single-Hung Window Opening and Area Specifications – 3:2 Reverse Cottage Sash Ratio

| Window Number | Clear Opening Area | | Clear Opening in Full Open Position | | Glass Area | Vent Area | Top of Subfloor to Top of Inside Sill Stop | Overall Window Area |
|---------------|----------------------------|------------|-------------------------------------|--------------------|-------------|----------------|--|---------------------|
| | Sq. Ft./ (m ²) | | Width Inches/(mm) | Height Inches/(mm) | | | | |
| 1626 | 0.88 (0.08) | 14" (356) | 9 1/16" (230) | 1.65 (0.15) | 0.88 (0.08) | 54 1/2" (1384) | 3.59 (0.33) | |
| 1630 | 1.07 (0.10) | 14" (356) | 11 1/16" (280) | 2.12 (0.20) | 1.07 (0.10) | 48 1/2" (1232) | 4.31 (0.40) | |
| 1636 | 1.37 (0.13) | 14" (356) | 14 1/16" (357) | 2.59 (0.24) | 1.37 (0.13) | 42 1/2" (1080) | 5.04 (0.47) | |
| 1640 | 1.56 (0.15) | 14" (356) | 16 1/16" (407) | 3.05 (0.28) | 1.56 (0.15) | 36 1/2" (927) | 5.77 (0.54) | |
| 1646 | 1.85 (0.17) | 14" (356) | 19 1/16" (484) | 3.52 (0.33) | 1.85 (0.17) | 30 1/2" (775) | 6.50 (0.60) | |
| 1650 | 2.05 (0.19) | 14" (356) | 21 1/16" (534) | 3.99 (0.37) | 2.05 (0.19) | 24 1/2" (622) | 7.23 (0.67) | |
| 1656 | 2.24 (0.21) | 14" (356) | 23 1/16" (585) | 4.46 (0.41) | 2.24 (0.21) | 18 1/2" (470) | 7.96 (0.74) | |
| 1660 | 2.53 (0.24) | 14" (356) | 26 1/16" (661) | 4.93 (0.46) | 2.53 (0.24) | 12 1/2" (318) | 8.69 (0.81) | |
| 1666 | 2.73 (0.25) | 14" (356) | 28 1/16" (712) | 5.40 (0.50) | 2.73 (0.25) | 6 1/2" (165) | 9.42 (0.88) | |
| 2026 | 1.26 (0.12) | 20" (508) | 9 1/16" (230) | 2.53 (0.24) | 1.26 (0.12) | 54 1/2" (1384) | 4.81 (0.45) | |
| 2030 | 1.53 (0.14) | 20" (508) | 11 1/16" (280) | 3.25 (0.30) | 1.53 (0.14) | 48 1/2" (1232) | 5.79 (0.54) | |
| 2036 | 1.95 (0.18) | 20" (508) | 14 1/16" (357) | 3.96 (0.37) | 1.95 (0.18) | 42 1/2" (1080) | 6.77 (0.63) | |
| 2040 | 2.23 (0.21) | 20" (508) | 16 1/16" (407) | 4.68 (0.44) | 2.23 (0.21) | 36 1/2" (927) | 7.75 (0.72) | |
| 2046 | 2.64 (0.25) | 20" (508) | 19 1/16" (484) | 5.40 (0.50) | 2.64 (0.25) | 30 1/2" (775) | 8.73 (0.81) | |
| 2050 | 2.92 (0.27) | 20" (508) | 21 1/16" (534) | 6.12 (0.57) | 2.92 (0.27) | 24 1/2" (622) | 9.71 (0.90) | |
| 2056 | 3.20 (0.30) | 20" (508) | 23 1/16" (585) | 6.84 (0.64) | 3.20 (0.30) | 18 1/2" (470) | 10.69 (0.99) | |
| 2060 | 3.62 (0.34) | 20" (508) | 26 1/16" (661) | 7.56 (0.70) | 3.62 (0.34) | 12 1/2" (318) | 11.67 (1.08) | |
| 2066 | 3.89 (0.36) | 20" (508) | 28 1/16" (712) | 8.28 (0.77) | 3.89 (0.36) | 6 1/2" (165) | 12.65 (1.18) | |
| 2626 | 1.63 (0.15) | 26" (660) | 9 1/16" (230) | 3.41 (0.32) | 1.63 (0.15) | 54 1/2" (1384) | 6.04 (0.56) | |
| 2630 | 1.99 (0.19) | 26" (660) | 11 1/16" (280) | 4.37 (0.41) | 1.99 (0.19) | 48 1/2" (1232) | 7.27 (0.68) | |
| 2636 | 2.54 (0.24) | 26" (660) | 14 1/16" (357) | 5.34 (0.50) | 2.54 (0.24) | 42 1/2" (1080) | 8.50 (0.79) | |
| 2640 | 2.90 (0.27) | 26" (660) | 16 1/16" (407) | 6.31 (0.59) | 2.90 (0.27) | 36 1/2" (927) | 9.73 (0.90) | |
| 2646 | 3.44 (0.32) | 26" (660) | 19 1/16" (484) | 7.28 (0.68) | 3.44 (0.32) | 30 1/2" (775) | 10.96 (1.02) | |
| 2650 | 3.80 (0.35) | 26" (660) | 21 1/16" (534) | 8.25 (0.77) | 3.80 (0.35) | 24 1/2" (622) | 12.19 (1.13) | |
| 2656 | 4.16 (0.39) | 26" (660) | 23 1/16" (585) | 9.22 (0.86) | 4.16 (0.39) | 18 1/2" (470) | 13.42 (1.25) | |
| 2660 | 4.70 (0.44) | 26" (660) | 26 1/16" (661) | 10.19 (0.95) | 4.70 (0.44) | 12 1/2" (318) | 14.65 (1.36) | |
| 2666 | 5.06 (0.47) | 26" (660) | 28 1/16" (712) | 11.16 (1.04) | 5.06 (0.47) | 6 1/2" (165) | 15.88 (1.48) | |
| 3026 | 2.01 (0.19) | 32" (813) | 9 1/16" (230) | 4.28 (0.40) | 2.01 (0.19) | 54 1/2" (1384) | 7.27 (0.68) | |
| 3030 | 2.45 (0.23) | 32" (813) | 11 1/16" (280) | 5.50 (0.51) | 2.45 (0.23) | 48 1/2" (1232) | 8.75 (0.81) | |
| 3036 | 3.12 (0.29) | 32" (813) | 14 1/16" (357) | 6.72 (0.62) | 3.12 (0.29) | 42 1/2" (1080) | 10.23 (0.95) | |
| 3040 | 3.56 (0.33) | 32" (813) | 16 1/16" (407) | 7.94 (0.74) | 3.56 (0.33) | 36 1/2" (927) | 11.71 (1.09) | |
| 3046 | 4.23 (0.39) | 32" (813) | 19 1/16" (484) | 9.16 (0.85) | 4.23 (0.39) | 30 1/2" (775) | 13.19 (1.23) | |
| 3050 | 4.68 (0.43) | 32" (813) | 21 1/16" (534) | 10.38 (0.96) | 4.68 (0.43) | 24 1/2" (622) | 14.67 (1.36) | |
| 3056 | 5.12 (0.48) | 32" (813) | 23 1/16" (585) | 11.60 (1.08) | 5.12 (0.48) | 18 1/2" (470) | 16.15 (1.50) | |
| 3060 ◊ | 5.79 (0.54) | 32" (813) | 26 1/16" (661) | 12.82 (1.19) | 5.79 (0.54) | 12 1/2" (318) | 17.63 (1.64) | |
| 3066 ◊ | 6.23 (0.58) | 32" (813) | 28 1/16" (712) | 14.03 (1.30) | 6.23 (0.58) | 6 1/2" (165) | 19.11 (1.78) | |
| 3626 | 2.39 (0.22) | 38" (965) | 9 1/16" (230) | 5.16 (0.48) | 2.39 (0.22) | 54 1/2" (1384) | 8.50 (0.79) | |
| 3630 | 2.91 (0.27) | 38" (965) | 11 1/16" (280) | 6.63 (0.62) | 2.91 (0.27) | 48 1/2" (1232) | 10.23 (0.95) | |
| 3636 | 3.71 (0.34) | 38" (965) | 14 1/16" (357) | 8.10 (0.75) | 3.71 (0.34) | 42 1/2" (1080) | 11.96 (1.11) | |
| 3640 | 4.23 (0.39) | 38" (965) | 16 1/16" (407) | 9.57 (0.89) | 4.23 (0.39) | 36 1/2" (927) | 13.69 (1.27) | |
| 3646 | 5.02 (0.47) | 38" (965) | 19 1/16" (484) | 11.04 (1.03) | 5.02 (0.47) | 30 1/2" (775) | 15.42 (1.43) | |
| 3650 | 5.55 (0.52) | 38" (965) | 21 1/16" (534) | 12.51 (1.16) | 5.55 (0.52) | 24 1/2" (622) | 17.15 (1.59) | |
| 3656 | 6.08 (0.57) | 38" (965) | 23 1/16" (585) | 13.98 (1.30) | 6.08 (0.57) | 18 1/2" (470) | 18.88 (1.75) | |
| 3660 ◊ | 6.87 (0.64) | 38" (965) | 26 1/16" (661) | 15.44 (1.44) | 6.87 (0.64) | 12 1/2" (318) | 20.61 (1.91) | |
| 3666 ◊ | 7.40 (0.69) | 38" (965) | 28 1/16" (712) | 16.91 (1.57) | 7.40 (0.69) | 6 1/2" (165) | 22.34 (2.08) | |
| 4026 | 2.76 (0.26) | 44" (1118) | 9 1/16" (230) | 6.04 (0.56) | 2.76 (0.26) | 54 1/2" (1384) | 9.73 (0.90) | |
| 4030 | 3.37 (0.31) | 44" (1118) | 11 1/16" (280) | 7.76 (0.72) | 3.37 (0.31) | 48 1/2" (1232) | 11.71 (1.09) | |
| 4036 | 4.29 (0.40) | 44" (1118) | 14 1/16" (357) | 9.48 (0.88) | 4.29 (0.40) | 42 1/2" (1080) | 13.69 (1.27) | |
| 4040 | 4.90 (0.46) | 44" (1118) | 16 1/16" (407) | 11.20 (1.04) | 4.90 (0.46) | 36 1/2" (927) | 15.67 (1.46) | |
| 4046 | 5.82 (0.54) | 44" (1118) | 19 1/16" (484) | 12.92 (1.20) | 5.82 (0.54) | 30 1/2" (775) | 17.65 (1.64) | |
| 4050 | 6.43 (0.60) | 44" (1118) | 21 1/16" (534) | 14.64 (1.36) | 6.43 (0.60) | 24 1/2" (622) | 19.63 (1.82) | |
| 4056 | 7.04 (0.65) | 44" (1118) | 23 1/16" (585) | 16.35 (1.52) | 7.04 (0.65) | 18 1/2" (470) | 21.61 (2.01) | |
| 4060 ◊ | 7.96 (0.74) | 44" (1118) | 26 1/16" (661) | 18.07 (1.68) | 7.96 (0.74) | 12 1/2" (318) | 23.59 (2.19) | |
| 4066 ◊ | 8.57 (0.80) | 44" (1118) | 28 1/16" (712) | 19.79 (1.84) | 8.57 (0.80) | 6 1/2" (165) | 25.56 (2.38) | |

*"Top of Subfloor to Top of Inside Sill Stop" is calculated based upon a structural header height of 6'-10 1/2" (2096).
 *Dimensions in parentheses are in millimeters or square meters.
 ◊Meets or exceed clear opening area of 5.7 sq.ft. or 0.53 m², clear opening width of 20" (508) and clear opening height of 24" (610).

100 Series Single-Hung Windows

SINGLE-HUNG WINDOWS

Table of Sizes - Picture Window With Flanking 20-Wide Single-Hungs

Scale 1/8" (3) = 1'-0" (305) – 1:96

| Window Dimension | 6'-11 1/2" (2121) | 7'-5 1/2" (2273) | 7'-11 1/2" (2426) | 8'-5 1/2" (2578) | 8'-11 1/2" (2731) |
|--|----------------------|---------------------|----------------------|---------------------|----------------------|
| Minimum Rough Opening | 7'-0" (2134) | 7'-6" (2286) | 8'-0" (2438) | 8'-6" (2591) | 9'-0" (2743) |
| Unobstructed Glass (center sash only) | 29 1/4" (743) | 35 1/4" (895) | 41 1/4" (1048) | 47 1/4" (1200) | 53 1/4" (1353) |

| | | | | | | | |
|----------------------|-----------------|-------------------|--|--|--|--|--|
| 11 1/2" (292) | 1'-0" (305) | 5 1/4" (133) | | | | | |
| 1'-5 1/2" (445) | 1'-6" (457) | 11 1/4" (286) | | | | | |
| 1'-11 1/2" (597) | 2'-0" (610) | 17 1/4" (438) | | | | | |
| 3'-11 1/2" (1207) | 4'-0" (1219) | 41 1/4" (1048) | | | | | |
| 4'-5 1/2" (1359) | 4'-6" (1372) | 47 1/4" (1200) | | | | | |
| 4'-11 1/2" (1511) | 5'-0" (1524) | 53 1/4" (1353) | | | | | |
| 5'-5 1/2" (1664) | 5'-6" (1676) | 59 1/4" (1505) | | | | | |
| 5'-11 1/2" (1816) | 6'-0" (1829) | 65 1/4" (1657) | | | | | |

Windows have one continuous outer frame.

Unobstructed glass width dimension of flanking sash is 17 1/4" (438). For unobstructed glass height dimensions of flanking single-hungs, see page 32.

Matching transoms are also shown.

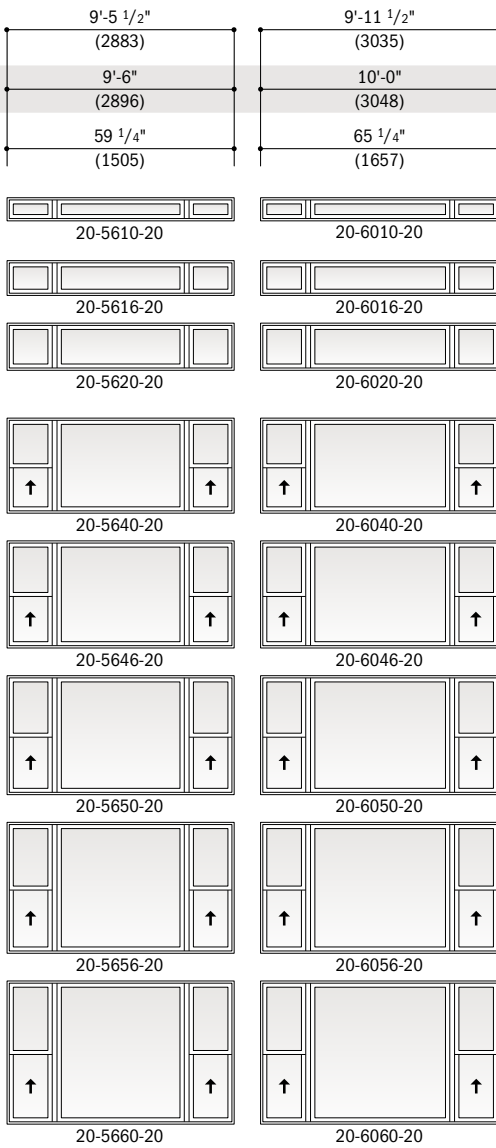
Details shown on pages 50-51.

Grille patterns shown on page 47.

• "Window Dimension" always refers to outside frame-to-frame dimension.
 • "Minimum Rough Opening" dimensions may need to be increased to allow for use of building wraps, flashing, sill panning, brackets, fasteners or other items. See page 110 for more details.
 • Dimensions in parentheses are in millimeters.

Notes on previous page also apply to this page.

Twin Single-Hung Window Opening and Area Specifications



| Window Number | Clear Opening Area Sq. Ft./ (m ²) | Clear Opening in Full Open Position | | Glass Area Sq. Ft./ (m ²) | Vent Area Sq. Ft./ (m ²) | Top of Subfloor to Top of Inside Sill Stop Inches/ (mm) | Overall Window Area Sq. Ft./ (m ²) |
|---------------|---|-------------------------------------|---------------------|---------------------------------------|--------------------------------------|---|--|
| | | Width Inches/ (mm) | Height Inches/ (mm) | | | | |
| 1620-2 | 0.78 (0.07) | 14" (356) | 8 1/16" (204) | 2.36 (0.22) | 1.56 (0.15) | 60 1/2" (1537) | 5.79 (0.54) |
| 1626-2 | 1.07 (0.10) | 14" (356) | 11 1/16" (280) | 3.30 (0.31) | 2.15 (0.20) | 54 1/2" (1384) | 7.27 (0.68) |
| 1630-2 | 1.37 (0.13) | 14" (356) | 14 1/16" (357) | 4.23 (0.39) | 2.73 (0.25) | 48 1/2" (1232) | 8.75 (0.81) |
| 1636-2 | 1.66 (0.15) | 14" (356) | 17 1/16" (433) | 5.17 (0.48) | 3.31 (0.31) | 42 1/2" (1080) | 10.23 (0.95) |
| 1640-2 | 1.95 (0.18) | 14" (356) | 20 1/16" (509) | 6.11 (0.57) | 3.90 (0.36) | 36 1/2" (927) | 11.71 (1.09) |
| 1646-2 | 2.24 (0.21) | 14" (356) | 23 1/16" (585) | 7.05 (0.66) | 4.48 (0.42) | 30 1/2" (775) | 13.19 (1.23) |
| 1650-2 | 2.53 (0.24) | 14" (356) | 26 1/16" (661) | 7.98 (0.74) | 5.06 (0.47) | 24 1/2" (622) | 14.67 (1.36) |
| 1656-2 | 2.82 (0.26) | 14" (356) | 29 1/16" (738) | 8.92 (0.83) | 5.65 (0.53) | 18 1/2" (470) | 16.15 (1.50) |
| 1660-2 | 3.12 (0.29) | 14" (356) | 32 1/16" (814) | 9.86 (0.92) | 6.23 (0.58) | 12 1/2" (318) | 17.63 (1.64) |
| 2020-2 | 1.12 (0.10) | 20" (508) | 8 1/16" (204) | 3.62 (0.34) | 2.23 (0.21) | 60 1/2" (1537) | 7.75 (0.72) |
| 2026-2 | 1.53 (0.14) | 20" (508) | 11 1/16" (280) | 5.05 (0.47) | 3.07 (0.29) | 54 1/2" (1384) | 9.73 (0.90) |
| 2030-2 | 1.95 (0.18) | 20" (508) | 14 1/16" (357) | 6.49 (0.60) | 3.90 (0.36) | 48 1/2" (1232) | 11.71 (1.09) |
| 2036-2 | 2.37 (0.22) | 20" (508) | 17 1/16" (433) | 7.93 (0.74) | 4.73 (0.44) | 42 1/2" (1080) | 13.69 (1.27) |
| 2040-2 | 2.78 (0.26) | 20" (508) | 20 1/16" (509) | 9.37 (0.87) | 5.57 (0.52) | 36 1/2" (927) | 15.67 (1.46) |
| 2046-2 | 3.20 (0.30) | 20" (508) | 23 1/16" (585) | 10.80 (1.00) | 6.40 (0.60) | 30 1/2" (775) | 17.65 (1.64) |
| 2050-2 | 3.62 (0.34) | 20" (508) | 26 1/16" (661) | 12.24 (1.14) | 7.23 (0.67) | 24 1/2" (622) | 19.63 (1.82) |
| 2056-2 | 4.03 (0.38) | 20" (508) | 29 1/16" (738) | 13.68 (1.27) | 8.07 (0.75) | 18 1/2" (470) | 21.61 (2.01) |
| 2060-2 | 4.45 (0.41) | 20" (508) | 32 1/16" (814) | 15.12 (1.40) | 8.90 (0.83) | 12 1/2" (318) | 23.59 (2.19) |
| 2620-2 | 1.45 (0.14) | 26" (660) | 8 1/16" (204) | 4.87 (0.45) | 2.90 (0.27) | 60 1/2" (1537) | 9.71 (0.90) |
| 2626-2 | 1.99 (0.19) | 26" (660) | 11 1/16" (280) | 6.81 (0.63) | 3.99 (0.37) | 54 1/2" (1384) | 12.19 (1.13) |
| 2630-2 | 2.54 (0.24) | 26" (660) | 14 1/16" (357) | 8.75 (0.81) | 5.07 (0.47) | 48 1/2" (1232) | 14.67 (1.36) |
| 2636-2 | 3.08 (0.29) | 26" (660) | 17 1/16" (433) | 10.69 (0.99) | 6.15 (0.57) | 42 1/2" (1080) | 17.15 (1.59) |
| 2640-2 | 3.62 (0.34) | 26" (660) | 20 1/16" (509) | 12.62 (1.17) | 7.24 (0.67) | 36 1/2" (927) | 19.63 (1.82) |
| 2646-2 | 4.16 (0.39) | 26" (660) | 23 1/16" (585) | 14.56 (1.35) | 8.32 (0.77) | 30 1/2" (775) | 22.11 (2.05) |
| 2650-2 | 4.70 (0.44) | 26" (660) | 26 1/16" (661) | 16.50 (1.53) | 9.40 (0.87) | 24 1/2" (622) | 24.59 (2.28) |
| 2656-2 | 5.24 (0.49) | 26" (660) | 29 1/16" (738) | 18.44 (1.71) | 10.49 (0.97) | 18 1/2" (470) | 27.06 (2.51) |
| 2660-2 | 5.79 (0.54) | 26" (660) | 32 1/16" (814) | 20.37 (1.89) | 11.57 (1.08) | 12 1/2" (318) | 29.54 (2.75) |
| 3020-2 | 1.79 (0.17) | 32" (813) | 8 1/16" (204) | 6.13 (0.57) | 3.57 (0.33) | 60 1/2" (1537) | 11.67 (1.08) |
| 3026-2 | 2.45 (0.23) | 32" (813) | 11 1/16" (280) | 8.57 (0.80) | 4.91 (0.46) | 54 1/2" (1384) | 14.65 (1.36) |
| 3030-2 | 3.12 (0.29) | 32" (813) | 14 1/16" (357) | 11.01 (1.02) | 6.24 (0.58) | 48 1/2" (1232) | 17.63 (1.64) |
| 3036-2 | 3.79 (0.35) | 32" (813) | 17 1/16" (433) | 13.44 (1.25) | 7.57 (0.70) | 42 1/2" (1080) | 20.61 (1.91) |
| 3040-2 | 4.45 (0.41) | 32" (813) | 20 1/16" (509) | 15.88 (1.48) | 8.91 (0.83) | 36 1/2" (927) | 23.59 (2.19) |
| 3046-2 | 5.12 (0.48) | 32" (813) | 23 1/16" (585) | 18.32 (1.70) | 10.24 (0.95) | 30 1/2" (775) | 26.56 (2.47) |
| 3050-2 | 5.79 (0.54) | 32" (813) | 26 1/16" (661) | 20.76 (1.93) | 11.57 (1.08) | 24 1/2" (622) | 29.54 (2.75) |
| 3056-2 | 6.45 (0.60) | 32" (813) | 29 1/16" (738) | 23.19 (2.16) | 12.91 (1.20) | 18 1/2" (470) | 32.52 (3.02) |
| 3060-2 | 7.12 (0.66) | 32" (813) | 32 1/16" (814) | 25.63 (2.38) | 14.24 (1.32) | 12 1/2" (318) | 35.50 (3.30) |
| 3620-2 | 2.12 (0.20) | 38" (965) | 8 1/16" (204) | 7.39 (0.69) | 4.24 (0.39) | 60 1/2" (1537) | 13.63 (1.27) |
| 3626-2 | 2.91 (0.27) | 38" (965) | 11 1/16" (280) | 10.33 (0.96) | 5.83 (0.54) | 54 1/2" (1384) | 17.11 (1.59) |
| 3630-2 | 3.71 (0.34) | 38" (965) | 14 1/16" (357) | 13.26 (1.23) | 7.41 (0.69) | 48 1/2" (1232) | 20.59 (1.91) |
| 3636-2 | 4.50 (0.42) | 38" (965) | 17 1/16" (433) | 16.20 (1.51) | 8.99 (0.84) | 42 1/2" (1080) | 24.06 (2.24) |
| 3640-2 | 5.29 (0.49) | 38" (965) | 20 1/16" (509) | 19.14 (1.78) | 10.58 (0.98) | 36 1/2" (927) | 27.54 (2.56) |
| 3646-2 | 6.08 (0.57) | 38" (965) | 23 1/16" (585) | 22.08 (2.05) | 12.16 (1.13) | 30 1/2" (775) | 31.02 (2.88) |
| 3650-2 | 6.87 (0.64) | 38" (965) | 26 1/16" (661) | 25.01 (2.32) | 13.74 (1.28) | 24 1/2" (622) | 34.50 (3.21) |
| 3656-2 | 7.66 (0.71) | 38" (965) | 29 1/16" (738) | 27.95 (2.60) | 15.33 (1.42) | 18 1/2" (470) | 37.98 (3.53) |
| 3660-2 | 8.46 (0.79) | 38" (965) | 32 1/16" (814) | 30.89 (2.87) | 16.91 (1.57) | 12 1/2" (318) | 41.46 (3.85) |
| 4020-2 | 2.46 (0.23) | 44" (1118) | 8 1/16" (204) | 8.65 (0.80) | 4.91 (0.46) | 60 1/2" (1537) | 15.59 (1.45) |
| 4026-2 | 3.37 (0.31) | 44" (1118) | 11 1/16" (280) | 12.08 (1.12) | 6.75 (0.63) | 54 1/2" (1384) | 19.56 (1.82) |
| 4030-2 | 4.29 (0.40) | 44" (1118) | 14 1/16" (357) | 15.52 (1.44) | 8.58 (0.80) | 48 1/2" (1232) | 23.54 (2.19) |
| 4036-2 | 5.21 (0.48) | 44" (1118) | 17 1/16" (433) | 18.96 (1.76) | 10.41 (0.97) | 42 1/2" (1080) | 27.52 (2.56) |
| 4040-2 | 6.12 (0.57) | 44" (1118) | 20 1/16" (509) | 22.40 (2.08) | 12.25 (1.14) | 36 1/2" (927) | 31.50 (2.93) |
| 4046-2 | 7.04 (0.65) | 44" (1118) | 23 1/16" (585) | 25.83 (2.40) | 14.08 (1.31) | 30 1/2" (775) | 35.48 (3.30) |
| 4050-2 | 7.96 (0.74) | 44" (1118) | 26 1/16" (661) | 29.27 (2.72) | 15.91 (1.48) | 24 1/2" (622) | 39.46 (3.67) |
| 4056-2 | 8.87 (0.82) | 44" (1118) | 29 1/16" (738) | 32.71 (3.04) | 17.75 (1.65) | 18 1/2" (470) | 43.44 (4.04) |
| 4060-2 | 9.79 (0.91) | 44" (1118) | 32 1/16" (814) | 36.15 (3.36) | 19.58 (1.82) | 12 1/2" (318) | 47.42 (4.41) |

*"Top of Subfloor to Top of Inside Sill Stop" is calculated based upon a structural header height of 6'-10 1/2" (2096).
 • Dimensions in parentheses are in millimeters or square meters.
 ◊ Meets or exceed clear opening area of 5.7 sq. ft. or 0.53 m², clear opening width of 20" (508) and clear opening height of 24" (610).

100 Series Single-Hung Windows

SINGLE-HUNG WINDOWS

Table of Sizes - Picture Window With Flanking 26-Wide Single-Hungs

Scale 1/8" (3) = 1'-0" (305) – 1:96

| Window Dimension | 7'-11 1/2" (2426) | 8'-5 1/2" (2578) | 8'-11 1/2" (2731) | 9'-5 1/2" (2883) | 9'-11 1/2" (3035) |
|--|----------------------|---------------------|----------------------|---------------------|----------------------|
| Minimum Rough Opening | 8'-0" (2438) | 8'-6" (2591) | 9'-0" (2743) | 9'-6" (2896) | 10'-0" (3048) |
| Unobstructed Glass (center sash only) | 29 1/4" (743) | 35 1/4" (895) | 41 1/4" (1048) | 47 1/4" (1200) | 53 1/4" (1353) |

| | | | | | | | |
|----------------------|-----------------|-------------------|-------------------------|-------------------------|-------------------------|-------------------------|-------------------------|
| 11 1/2" (292) | 1'-0" (305) | 5 1/4" (133) | 26-3010-26 | 26-3610-26 | 26-4010-26 | 26-4610-26 | 26-5010-26 |
| 1'-5 1/2" (445) | 1'-6" (457) | 11 1/4" (286) | 26-3016-26 | 26-3616-26 | 26-4016-26 | 26-4616-26 | 26-5016-26 |
| 1'-11 1/2" (697) | 2'-0" (610) | 17 1/4" (438) | 26-3020-26 | 26-3620-26 | 26-4020-26 | 26-4620-26 | 26-5020-26 |
| 3'-11 1/2" (1207) | 4'-0" (1219) | 41 1/4" (1048) | 26-3040-26 | 26-3640-26 | 26-4040-26 | 26-4640-26 | 26-5040-26 |
| 4'-5 1/2" (1359) | 4'-6" (1372) | 47 1/4" (1200) | 26-3046-26 | 26-3646-26 | 26-4046-26 | 26-4646-26 | 26-5046-26 |
| 4'-11 1/2" (1511) | 5'-0" (1524) | 53 1/4" (1353) | 26-3050-26 | 26-3650-26 | 26-4050-26 | 26-4650-26 | 26-5050-26 |
| 5'-5 1/2" (1664) | 5'-6" (1676) | 59 1/4" (1505) | 26-3056-26 | 26-3656-26 | 26-4056-26 | 26-4656-26 | 26-5056-26 |
| 5'-11 1/2" (1816) | 6'-0" (1829) | 65 1/4" (1657) | 26-3060-26 [Ⓟ] | 26-3660-26 [Ⓟ] | 26-4060-26 [Ⓟ] | 26-4660-26 [Ⓟ] | 26-5060-26 [Ⓟ] |

Windows have one continuous outer frame.

Unobstructed glass width dimension of flanking sash is 23 1/4" (591). For unobstructed glass height dimensions of flanking single-hungs, see page 32.

Matching transoms are also shown.

Details shown on pages 50-51.

Grille patterns shown on page 47.

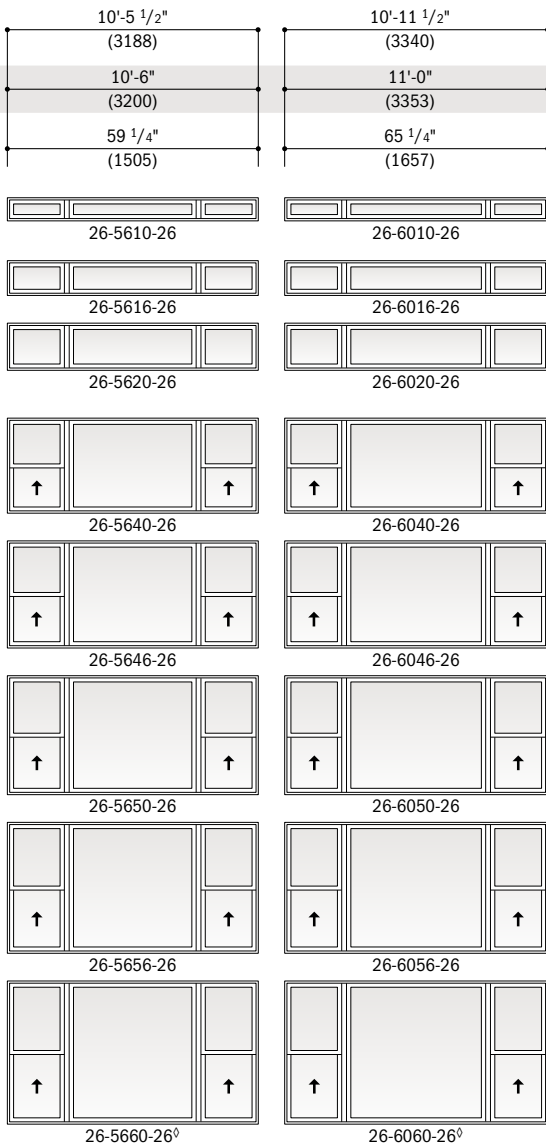
* "Window Dimension" always refers to outside frame-to-frame dimension.

** "Minimum Rough Opening" dimensions may need to be increased to allow for use of building wraps, flashing, sill panning, brackets, fasteners or other items. See page 110 for more details.

• Dimensions in parentheses are in millimeters.

Ⓟ Meets or exceeds clear opening area of 5.7 sq. ft. or 0.53 m², clear opening width of 20" (508) and clear opening height of 24" (610).

Notes on previous page also apply to this page.



Triple Single-Hung Window Opening and Area Specifications

| Window Number | Clear Opening Area Sq. Ft./ (m ²) | Clear Opening in Full Open Position | | Glass Area Sq. Ft./ (m ²) | Vent Area Sq. Ft./ (m ²) | Top of Subfloor to Top of Inside Sill Stop Inches/ (mm) | Overall Window Area Sq. Ft./ (m ²) |
|---------------|---|-------------------------------------|---------------------|---------------------------------------|--------------------------------------|---|--|
| | | Width Inches/ (mm) | Height Inches/ (mm) | | | | |
| 1620-3 | 0.78 (0.07) | 14" (356) | 8 1/16" (204) | 3.54 (0.33) | 2.35 (0.22) | 60 1/2" (1537) | 8.73 (0.81) |
| 1626-3 | 1.07 (0.10) | 14" (356) | 11 1/16" (280) | 4.94 (0.46) | 3.22 (0.30) | 54 1/2" (1384) | 10.96 (1.02) |
| 1630-3 | 1.37 (0.13) | 14" (356) | 14 1/16" (357) | 6.35 (0.59) | 4.10 (0.38) | 48 1/2" (1232) | 13.19 (1.23) |
| 1636-3 | 1.66 (0.15) | 14" (356) | 17 1/16" (433) | 7.76 (0.72) | 4.97 (0.46) | 42 1/2" (1080) | 15.42 (1.43) |
| 1640-3 | 1.95 (0.18) | 14" (356) | 20 1/16" (509) | 9.16 (0.85) | 5.85 (0.54) | 36 1/2" (927) | 17.65 (1.64) |
| 1646-3 | 2.24 (0.21) | 14" (356) | 23 1/16" (585) | 10.57 (0.98) | 6.72 (0.62) | 30 1/2" (775) | 19.88 (1.85) |
| 1650-3 | 2.53 (0.24) | 14" (356) | 26 1/16" (661) | 11.97 (1.11) | 7.60 (0.71) | 24 1/2" (622) | 22.11 (2.05) |
| 1656-3 | 2.82 (0.26) | 14" (356) | 29 1/16" (738) | 13.38 (1.24) | 8.47 (0.79) | 18 1/2" (470) | 24.34 (2.26) |
| 1660-3 | 3.12 (0.29) | 14" (356) | 32 1/16" (814) | 14.79 (1.37) | 9.35 (0.87) | 12 1/2" (318) | 26.56 (2.47) |
| 2020-3 | 1.12 (0.10) | 20" (508) | 8 1/16" (204) | 5.42 (0.50) | 3.35 (0.31) | 60 1/2" (1537) | 11.67 (1.08) |
| 2026-3 | 1.53 (0.14) | 20" (508) | 11 1/16" (280) | 7.58 (0.70) | 4.60 (0.43) | 54 1/2" (1384) | 14.65 (1.36) |
| 2030-3 | 1.95 (0.18) | 20" (508) | 14 1/16" (357) | 9.74 (0.90) | 5.85 (0.54) | 48 1/2" (1232) | 17.63 (1.64) |
| 2036-3 | 2.37 (0.22) | 20" (508) | 17 1/16" (433) | 11.89 (1.11) | 7.10 (0.66) | 42 1/2" (1080) | 20.61 (1.91) |
| 2040-3 | 2.78 (0.26) | 20" (508) | 20 1/16" (509) | 14.05 (1.31) | 8.35 (0.78) | 36 1/2" (927) | 23.59 (2.19) |
| 2046-3 | 3.20 (0.30) | 20" (508) | 23 1/16" (585) | 16.20 (1.51) | 9.60 (0.89) | 30 1/2" (775) | 26.56 (2.47) |
| 2050-3 | 3.62 (0.34) | 20" (508) | 26 1/16" (661) | 18.36 (1.71) | 10.85 (1.01) | 24 1/2" (622) | 29.54 (2.75) |
| 2056-3 | 4.03 (0.38) | 20" (508) | 29 1/16" (738) | 20.52 (1.91) | 12.10 (1.12) | 18 1/2" (470) | 32.52 (3.02) |
| 2060-3 | 4.45 (0.41) | 20" (508) | 32 1/16" (814) | 22.67 (2.11) | 13.35 (1.24) | 12 1/2" (318) | 35.50 (3.30) |
| 2620-3 | 1.45 (0.14) | 26" (660) | 8 1/16" (204) | 7.31 (0.68) | 4.35 (0.41) | 60 1/2" (1537) | 14.61 (1.36) |
| 2626-3 | 1.99 (0.19) | 26" (660) | 11 1/16" (280) | 10.22 (0.95) | 5.98 (0.56) | 54 1/2" (1384) | 18.34 (1.70) |
| 2630-3 | 2.54 (0.24) | 26" (660) | 14 1/16" (357) | 13.12 (1.22) | 7.60 (0.71) | 48 1/2" (1232) | 22.06 (2.05) |
| 2636-3 | 3.08 (0.29) | 26" (660) | 17 1/16" (433) | 16.03 (1.49) | 9.23 (0.86) | 42 1/2" (1080) | 25.79 (2.40) |
| 2640-3 | 3.62 (0.34) | 26" (660) | 20 1/16" (509) | 18.93 (1.76) | 10.85 (1.01) | 36 1/2" (927) | 29.52 (2.74) |
| 2646-3 | 4.16 (0.39) | 26" (660) | 23 1/16" (585) | 21.84 (2.03) | 12.48 (1.16) | 30 1/2" (775) | 33.25 (3.09) |
| 2650-3 | 4.70 (0.44) | 26" (660) | 26 1/16" (661) | 24.75 (2.30) | 14.10 (1.31) | 24 1/2" (622) | 36.98 (3.44) |
| 2656-3 | 5.24 (0.49) | 26" (660) | 29 1/16" (738) | 27.65 (2.57) | 15.73 (1.46) | 18 1/2" (470) | 40.71 (3.78) |
| 2660-3 | 5.79 (0.54) | 26" (660) | 32 1/16" (814) | 30.56 (2.84) | 17.35 (1.61) | 12 1/2" (318) | 44.44 (4.13) |
| 3020-3 | 1.79 (0.17) | 32" (813) | 8 1/16" (204) | 9.20 (0.85) | 5.36 (0.50) | 60 1/2" (1537) | 17.54 (1.63) |
| 3026-3 | 2.45 (0.23) | 32" (813) | 11 1/16" (280) | 12.85 (1.19) | 7.36 (0.68) | 54 1/2" (1384) | 22.02 (2.05) |
| 3030-3 | 3.12 (0.29) | 32" (813) | 14 1/16" (357) | 16.51 (1.53) | 9.36 (0.87) | 48 1/2" (1232) | 26.50 (2.46) |
| 3036-3 | 3.79 (0.35) | 32" (813) | 17 1/16" (433) | 20.16 (1.87) | 11.36 (1.06) | 42 1/2" (1080) | 30.98 (2.88) |
| 3040-3 | 4.45 (0.41) | 32" (813) | 20 1/16" (509) | 23.82 (2.21) | 13.36 (1.24) | 36 1/2" (927) | 35.46 (3.29) |
| 3046-3 | 5.12 (0.48) | 32" (813) | 23 1/16" (585) | 27.48 (2.55) | 15.36 (1.43) | 30 1/2" (775) | 39.94 (3.71) |
| 3050-3 | 5.79 (0.54) | 32" (813) | 26 1/16" (661) | 31.13 (2.89) | 17.36 (1.61) | 24 1/2" (622) | 44.42 (4.13) |
| 3056-3 | 6.45 (0.60) | 32" (813) | 29 1/16" (738) | 34.79 (3.23) | 19.36 (1.80) | 18 1/2" (470) | 48.90 (4.54) |
| 3060-3 | 7.12 (0.66) | 32" (813) | 32 1/16" (814) | 38.45 (3.57) | 21.36 (1.98) | 12 1/2" (318) | 53.38 (4.96) |
| 3620-3 | 2.12 (0.20) | 38" (965) | 8 1/16" (204) | 11.08 (1.03) | 6.36 (0.59) | 60 1/2" (1537) | 20.48 (1.90) |
| 3626-3 | 2.91 (0.27) | 38" (965) | 11 1/16" (280) | 15.49 (1.44) | 8.74 (0.81) | 54 1/2" (1384) | 25.71 (2.39) |
| 3630-3 | 3.71 (0.34) | 38" (965) | 14 1/16" (357) | 19.89 (1.85) | 11.11 (1.03) | 48 1/2" (1232) | 30.94 (2.87) |
| 3636-3 | 4.50 (0.42) | 38" (965) | 17 1/16" (433) | 24.30 (2.26) | 13.49 (1.25) | 42 1/2" (1080) | 36.17 (3.36) |
| 3640-3 | 5.29 (0.49) | 38" (965) | 20 1/16" (509) | 28.71 (2.67) | 15.86 (1.47) | 36 1/2" (927) | 41.40 (3.85) |
| 3646-3 | 6.08 (0.57) | 38" (965) | 23 1/16" (585) | 33.11 (3.08) | 18.24 (1.69) | 30 1/2" (775) | 46.63 (4.33) |
| 3650-3 | 6.87 (0.64) | 38" (965) | 26 1/16" (661) | 37.52 (3.49) | 20.61 (1.92) | 24 1/2" (622) | 51.86 (4.82) |
| 3656-3 | 7.66 (0.71) | 38" (965) | 29 1/16" (738) | 41.93 (3.90) | 22.99 (2.14) | 18 1/2" (470) | 57.09 (5.30) |
| 3660-3 | 8.46 (0.79) | 38" (965) | 32 1/16" (814) | 46.33 (4.30) | 25.36 (2.36) | 12 1/2" (318) | 62.31 (5.79) |
| 4020-3 | 2.46 (0.23) | 44" (1118) | 8 1/16" (204) | 12.97 (1.21) | 7.37 (0.69) | 60 1/2" (1537) | 23.42 (2.18) |
| 4026-3 | 3.37 (0.31) | 44" (1118) | 11 1/16" (280) | 18.12 (1.68) | 10.12 (0.94) | 54 1/2" (1384) | 29.40 (2.73) |
| 4030-3 | 4.29 (0.40) | 44" (1118) | 14 1/16" (357) | 23.28 (2.16) | 12.87 (1.20) | 48 1/2" (1232) | 35.38 (3.29) |
| 4036-3 | 5.21 (0.48) | 44" (1118) | 17 1/16" (433) | 28.44 (2.64) | 15.62 (1.45) | 42 1/2" (1080) | 41.36 (3.84) |
| 4040-3 | 6.12 (0.57) | 44" (1118) | 20 1/16" (509) | 33.59 (3.12) | 18.37 (1.71) | 36 1/2" (927) | 47.34 (4.40) |
| 4046-3 | 7.04 (0.65) | 44" (1118) | 23 1/16" (585) | 38.75 (3.60) | 21.12 (1.96) | 30 1/2" (775) | 53.31 (4.95) |
| 4050-3 | 7.96 (0.74) | 44" (1118) | 26 1/16" (661) | 43.91 (4.08) | 23.87 (2.22) | 24 1/2" (622) | 59.29 (5.51) |
| 4056-3 | 8.87 (0.82) | 44" (1118) | 29 1/16" (738) | 49.06 (4.56) | 26.62 (2.47) | 18 1/2" (470) | 65.27 (6.06) |
| 4060-3 | 9.79 (0.91) | 44" (1118) | 32 1/16" (814) | 54.22 (5.04) | 29.37 (2.73) | 12 1/2" (318) | 71.25 (6.62) |

* "Top of Subfloor to Top of Inside Sill Stop" is calculated based upon a structural header height of 6'-10 1/2" (2096).
 • Dimensions in parentheses are in millimeters or square meters.
 ◊ Meets or exceed clear opening area of 5.7 sq. ft. or 0.53 m², clear opening width of 20" (508) and clear opening height of 24" (610).

SINGLE-HUNG WINDOWS

Table of Sizes - Picture Window With Flanking 30-Wide Single-Hungs

Notes on next page also apply to this page.

Scale 1/8" (3) = 1'-0" (305) – 1:96

| Window Dimension | 8'-11 1/2" (2731) | 9'-5 1/2" (2883) | 9'-11 1/2" (3035) | 10'-5 1/2" (3188) |
|--|----------------------|---------------------|----------------------|----------------------|
| Minimum Rough Opening | 9'-0" (2743) | 9'-6" (2896) | 10'-0" (3048) | 10'-6" (3200) |
| Unobstructed Glass (center sash only) | 29 1/4" (743) | 35 1/4" (895) | 41 1/4" (1048) | 47 1/4" (1200) |

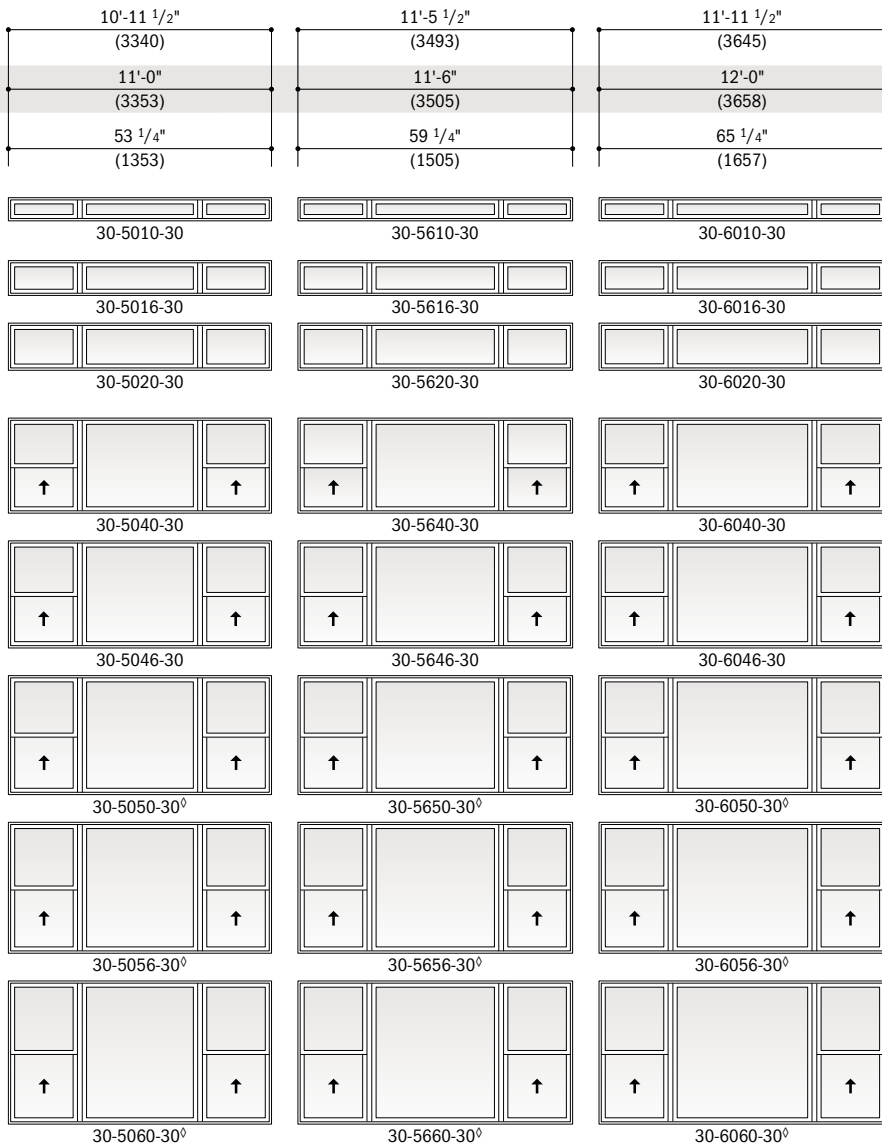
| | | | | | | |
|----------------------|-----------------|-------------------|--|--|--|--|
| 11 1/2" (292) | 1'-0" (305) | 5 1/4" (133) | | | | |
| 1'-5 1/2" (445) | 1'-6" (457) | 11 1/4" (286) | | | | |
| 1'-11 1/2" (697) | 2'-0" (610) | 17 1/4" (438) | | | | |
| 3'-11 1/2" (1207) | 4'-0" (1219) | 41 1/4" (1048) | | | | |
| 4'-5 1/2" (1359) | 4'-6" (1372) | 47 1/4" (1200) | | | | |
| 4'-11 1/2" (1511) | 5'-0" (1524) | 53 1/4" (1353) | | | | |
| 5'-5 1/2" (1664) | 5'-6" (1676) | 59 1/4" (1505) | | | | |
| 5'-11 1/2" (1816) | 6'-0" (1829) | 65 1/4" (1657) | | | | |

* "Window Dimension" always refers to outside frame-to-frame dimension.

** "Minimum Rough Opening" dimensions may need to be increased to allow for use of building wraps, flashing, sill panning, brackets, fasteners or other items. See page 110 for more details.

• Dimensions in parentheses are in millimeters.

◊ Meets or exceeds clear opening area of 5.7 sq. ft. or 0.53 m², clear opening width of 20" (508) and clear opening height of 24" (610).



Windows have one continuous outer frame.

Unobstructed glass width dimension of flanking sash is 29 1/4" (743). For unobstructed glass height dimensions of flanking single-hungs, see page 32.

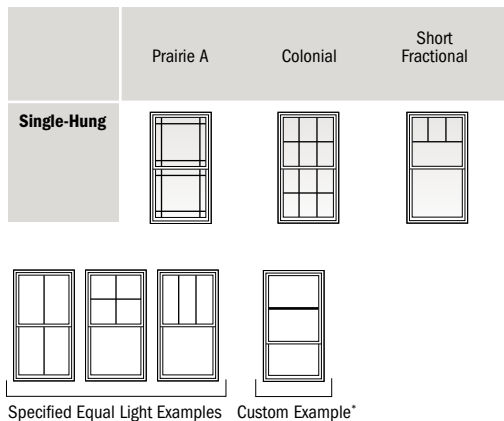
Matching transoms are also shown.

Details shown on pages 50-51.

Grille patterns shown below.

- * "Window Dimension" always refers to outside frame-to-frame dimension.
- ** **Minimum Rough Opening** dimensions may need to be increased to allow for use of building wraps, flashing, sill panning, brackets, fasteners or other items. See page 110 for more details.
- * Dimensions in parentheses are in millimeters.
- ◊ Meets or exceed clear opening area of 5.7 sq. ft. or 0.53 m², clear opening width of 20" (508) and clear opening height of 24" (610).

Grille Patterns



Specified Equal Light Examples Custom Example*

Single-hung window patterns are also available in Upper Sash Only (USO) configurations. For picture window patterns that require alignment with single-hung patterns, identify the single-hung sash style (equal or reverse cottage) when ordering.

Number of lights and overall pattern varies with window size. Patterns shown may not be available for all sizes. Specified equal light and custom grille patterns are also available.

For specified equal light, specify number of same-size rectangles across or down. For more information on divided light, see page 13 or visit andersenwindows.com/grilles.

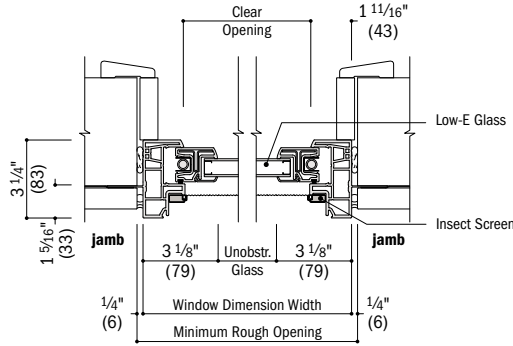
*Grille illustration reflects a window taller than 6'-5 1/2" (1969) with a 2:1 sash ratio.
• Dimensions in parentheses are in millimeters.

SINGLE-HUNG WINDOWS

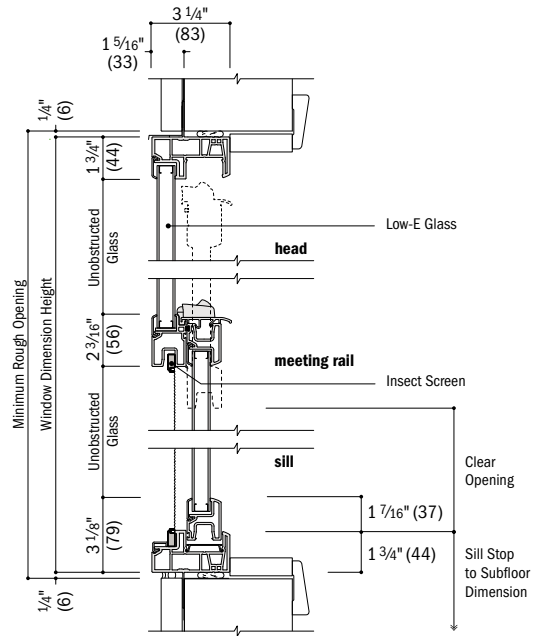
Arch Single-Hung Window Details - New Construction

Scale 1 1/2" (38) = 1'-0" (305) - 1:8

1 3/8" flange setback

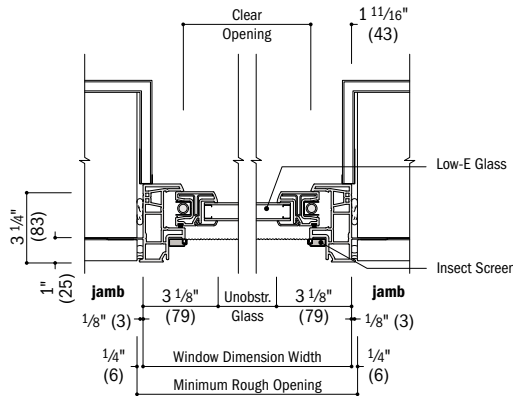


Horizontal Section
Arch Single-Hung

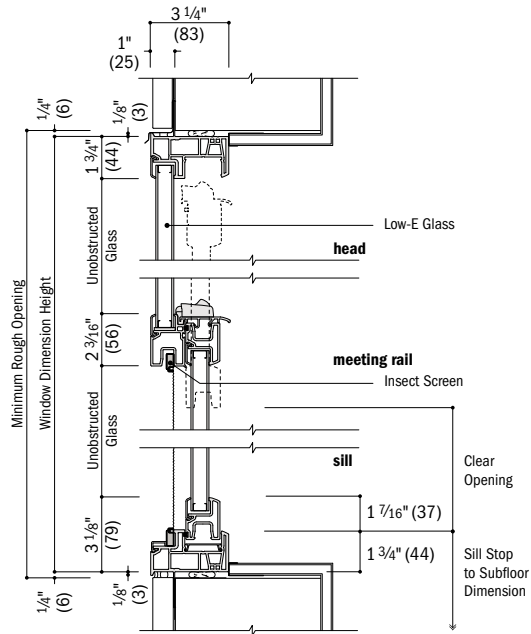


Vertical Section
Arch Single-Hung

1" flange setback with stucco key



Horizontal Section
Arch Single-Hung - Stucco Exterior



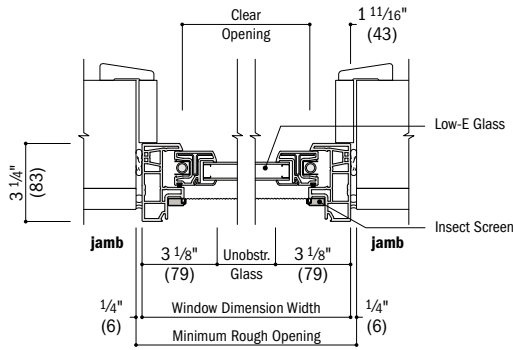
Vertical Section
Arch Single-Hung - Stucco Exterior

- Drip cap is required to complete window installation as shown but may not be included with the window. Use of drip cap is recommended for proper installation.
- Light-colored areas are parts included with window. Dark-colored areas are additional Andersen® parts required to complete window assembly as shown.
- **Minimum rough openings may need to be increased to allow for use of building wraps, flashing, sill panning, brackets, fasteners or other items. See installation information on page 110.**
- Details are for illustration only and are not intended to represent product installation methods or materials. Refer to product installation instructions at andersenwindows.com.
- Dimensions in parentheses are in millimeters.

Arch Single-Hung Window Details – Replacement

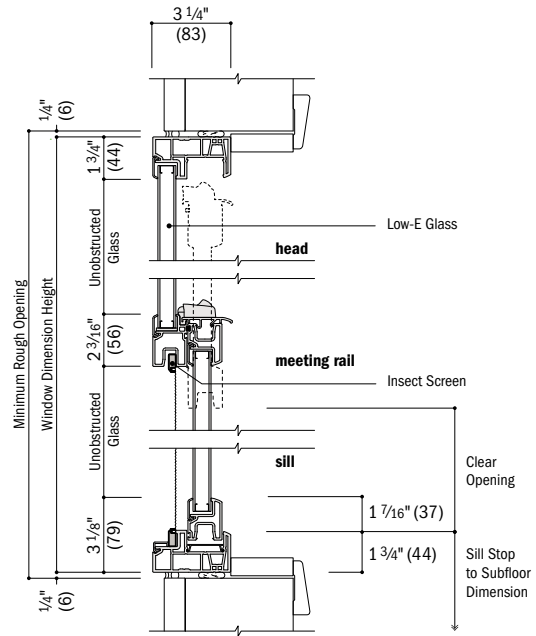
Scale 1 1/2" (38) = 1'-0" (305) – 1:8

no flange



Horizontal Section

Arch Single-Hung - Existing Framed Opening



Vertical Section

Arch Single-Hung - Existing Framed Opening

100 Series Single-Hung Windows

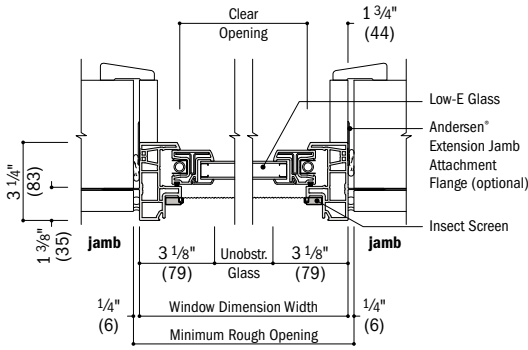
- Drip cap is required to complete window installation as shown but may not be included with the window. Use of drip cap is recommended for proper installation.
- Light-colored areas are parts included with window. Dark-colored areas are additional Andersen® parts required to complete window assembly as shown.
- **Minimum rough openings may need to be increased to allow for use of building wraps, flashing, sill panning, brackets, fasteners or other items. See installation information on page 110.**
- Details are for illustration only and are not intended to represent product installation methods or materials. Refer to product installation instructions at andersenwindows.com.
- Dimensions in parentheses are in millimeters.

SINGLE-HUNG WINDOWS

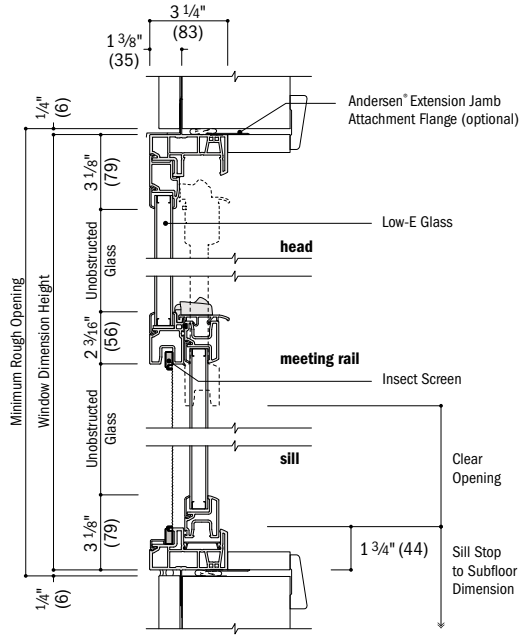
Single-Hung Window Details – New Construction

Scale 1 1/2" (38) = 1'-0" (305) – 1:8

1 3/8" flange setback

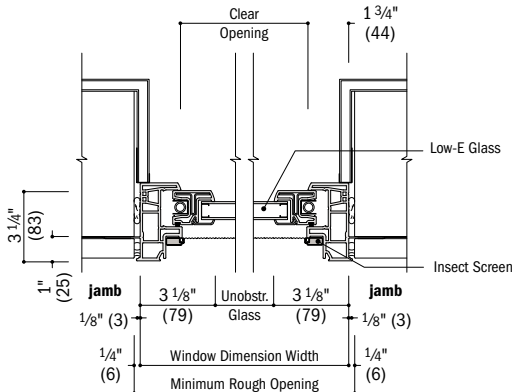


Horizontal Section

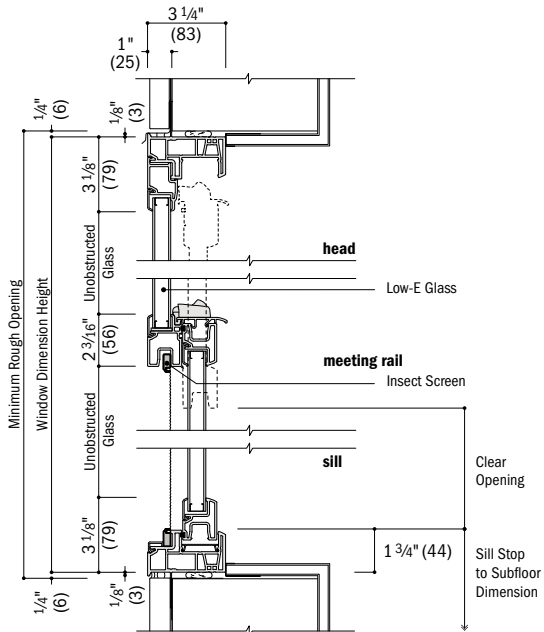


Vertical Section

1" flange setback with stucco key



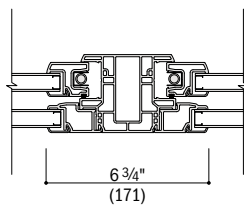
Horizontal Section
Stucco Exterior



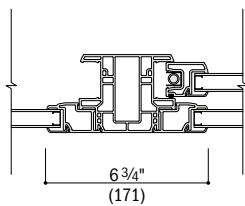
Vertical Section
Stucco Exterior

See pages 84-87 for joining details.

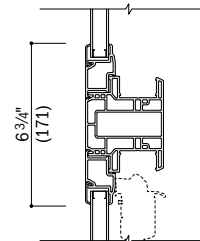
integrals



Horizontal Section
Twin or Triple Single-Hung



Horizontal Section
Picture With Flanking Single-Hung



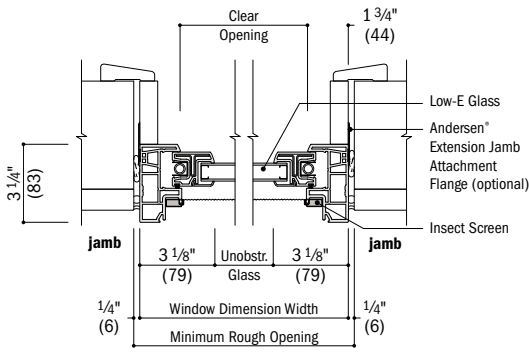
Vertical Section
Transom Over Single-Hung

- Drip cap is required to complete window installation as shown but may not be included with the window. Use of drip cap is recommended for proper installation.
- Light-colored areas are parts included with window. Dark-colored areas are additional Andersen® parts required to complete window assembly as shown.
- **Minimum rough openings may need to be increased to allow for use of building wraps, flashing, sill panning, brackets, fasteners or other items. See installation information on page 110.**
- Details are for illustration only and are not intended to represent product installation methods or materials. Refer to product installation instructions at andersenwindows.com.
- Dimensions in parentheses are in millimeters.

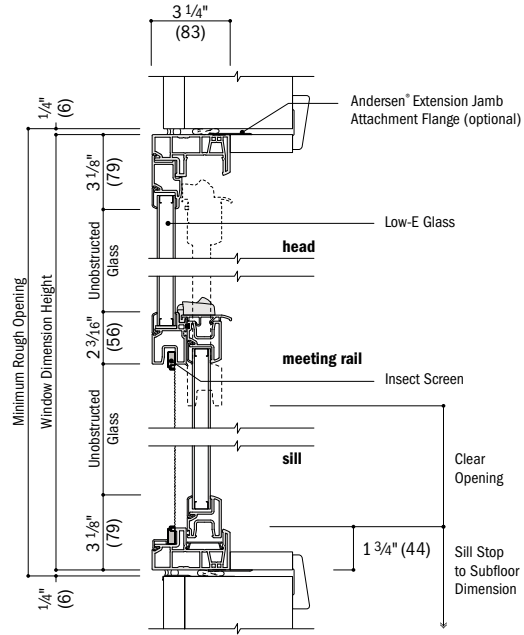
Single-Hung Window Details – Replacement

Scale 1 1/2" (38) = 1'-0" (305) – 1:8

no flange

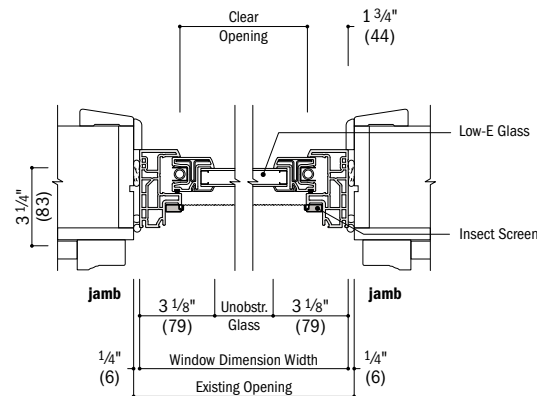


Horizontal Section
Existing Framed Opening

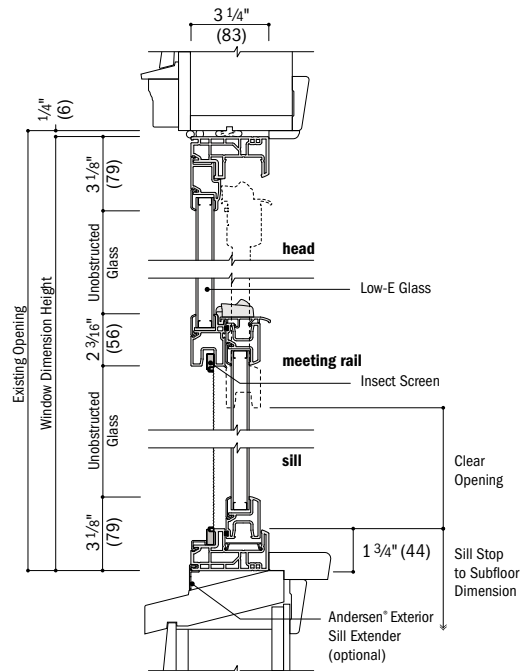


Vertical Section
Existing Framed Opening

insert



Horizontal Section
Existing Window Opening

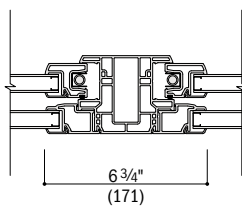


Vertical Section
Existing Window Opening

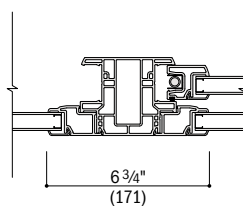
Installation accessories
for insert frame shown on
page 109.

**See pages 84-87 for
joining details.**

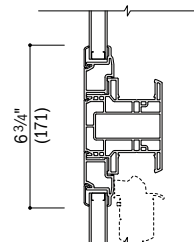
integrals



Horizontal Section
Twin or Triple Single-Hung



Horizontal Section
Picture With Flanking Single-Hung



Vertical Section
Transom Over Single-Hung

- Drip cap is required to complete window installation as shown but may not be included with the window. Use of drip cap is recommended for proper installation.
- Light-colored areas are parts included with window. Dark-colored areas are additional Andersen® parts required to complete window assembly as shown.
- **Minimum rough openings may need to be increased to allow for use of building wraps, flashing, sill panning, brackets, fasteners or other items. See installation information on page 110.**
- Details are for illustration only and are not intended to represent product installation methods or materials. Refer to product installation instructions at andersenwindows.com.
- Dimensions in parentheses are in millimeters.

100 Series Single-Hung
Windows

GLIDING WINDOWS

Table of Gliding Window Sizes – Active-Stationary or Stationary-Active (XO/OX) Sash

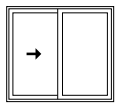
Scale 1/8" (3) = 1'-0" (305) – 1:96

| Window Dimension | 1'-11 1/2" | 2'-5 1/2" | 2'-11 1/2" | 3'-5 1/2" | 3'-11 1/2" | 4'-5 1/2" | 4'-11 1/2" | 5'-5 1/2" | 5'-11 1/2" |
|--|------------|-----------|------------|-----------|------------|-----------|------------|-----------|------------|
| | (597) | (749) | (902) | (1054) | (1207) | (1359) | (1511) | (1664) | (1816) |
| Minimum Rough Opening | 2'-0" | 2'-6" | 3'-0" | 3'-6" | 4'-0" | 4'-6" | 5'-0" | 5'-6" | 6'-0" |
| | (610) | (762) | (914) | (1067) | (1219) | (1372) | (1524) | (1676) | (1829) |
| Unobstructed Glass (width of single sash) | 7 9/16" | 10 9/16" | 13 9/16" | 16 9/16" | 19 9/16" | 22 9/16" | 25 9/16" | 28 9/16" | 31 9/16" |
| | (192) | (268) | (344) | (420) | (496) | (573) | (649) | (725) | (801) |

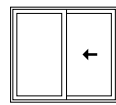
| CUSTOM WIDTHS – 23 1/2" to 71 1/2" | | | | | | | | | |
|------------------------------------|------|------|------|------|-------------------|-------------------|-------------------|-------------------|-------------------|
| 11 1/2" | 2010 | 2610 | 3010 | 3610 | 4010 | 4610 | 5010 | 5610 | 6010 |
| 1'-5 1/2" | 2016 | 2616 | 3016 | 3616 | 4016 | 4616 | 5016 | 5616 | 6016 |
| 1'-11 1/2" | 2020 | 2620 | 3020 | 3620 | 4020 | 4620 | 5020 | 5620 | 6020 |
| 2'-5 1/2" | 2026 | 2626 | 3026 | 3626 | 4026 | 4626 | 5026 | 5626 | 6026 ^o |
| 2'-11 1/2" | 2030 | 2630 | 3030 | 3630 | 4030 | 4630 | 5030 ^o | 5630 ^o | 6030 ^o |
| 3'-5 1/2" | 2036 | 2636 | 3036 | 3636 | 4036 | 4636 ^o | 5036 ^o | 5636 ^o | 6036 ^o |
| 3'-11 1/2" | 2040 | 2640 | 3040 | 3640 | 4040 ^o | 4640 ^o | 5040 ^o | 5640 ^o | 6040 ^o |
| 4'-5 1/2" | 2046 | 2646 | 3046 | 3646 | 4046 ^o | 4646 ^o | 5046 ^o | 5646 ^o | 6046 ^o |
| 4'-11 1/2" | 2050 | 2650 | 3050 | 3650 | 4050 ^o | 4650 ^o | 5050 ^o | 5650 ^o | 6050 ^o |
| 5'-5 1/2" | 2056 | 2656 | 3056 | 3656 | 4056 ^o | 4656 ^o | 5056 ^o | 5656 ^o | 6056 ^o |
| 5'-11 1/2" | 2060 | 2660 | 3060 | 3660 | 4060 ^o | 4660 ^o | 5060 ^o | 5660 ^o | 6060 ^o |



Custom-size windows are available in 1/8" (3) increments. See page 90 for custom sizes and specifications.



Active-Stationary



Stationary-Active

Choose active-stationary (XO) or stationary-active (OX) as viewed from the exterior. Two locks are standard on all heights greater than 4'-2" (1270). Details shown on pages 64-65. Grille patterns shown on page 63.

* "Window Dimension" always refers to outside frame-to-frame dimension.

** "Minimum Rough Opening" dimensions may need to be increased to allow for use of building wraps, flashing, sill panning, brackets, fasteners or other items. See page 110 for more details.

• Dimensions in parentheses are in millimeters.

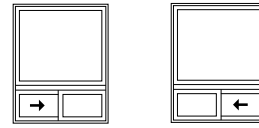
◊ Meets or exceeds clear opening area of 5.7 sq. ft. or 0.53 m², clear opening width of 20" (508) and clear opening height of 24" (610). See table on pages 58-59.

Table of Sizes – Picture Over Gliding Window With Active-Stationary or Stationary-Active (XO/OX) Sash

Scale 1/8" (3) = 1'-0" (305) – 1:96

| Window Dimension | 2'-11 1/2" (902) | 3'-11 1/2" (1207) | 4'-11 1/2" (1511) | 5'-11 1/2" (1816) |
|---|---------------------|----------------------|----------------------|----------------------|
| Minimum Rough Opening | 3'-0" (914) | 4'-0" (1219) | 5'-0" (1524) | 6'-0" (1829) |
| Unobstructed Glass (upper sash only) | 29 1/4" (743) | 41 1/4" (1048) | 53 1/4" (1353) | 65 1/4" (1657) |

| | | | | | | |
|----------------------|-----------------|-------------------|--------------|--------------|--------------|--------------|
| 4'-11 1/2" (1511) | 5'-0" (1524) | 35 1/4" (895) | | | | |
| | | | 3036 3016 | 4036 4016 | 5036 5016 | 6036 6016 |
| 5'-11 1/2" (1816) | 6'-0" (1829) | 41 1/4" (1048) | | | | |
| | | | 3040 3020 | 4040 4020 | 5040 5020 | 6040 6020 |
| 6'-11 1/2" (2121) | 7'-0" (2134) | 53 1/4" (1353) | | | | |
| | | | 3050 3020 | 4050 4020 | 5050 5020 | 6050 6020 |



Active-Stationary Stationary-Active

Choose active-stationary (**XO**) or stationary-active (**OX**) as viewed from the exterior. Windows have one continuous outer frame.

For unobstructed glass dimensions of lower sash, see page 52.

Details shown on pages 64-65.

Grille patterns shown on page 63.

- "Window Dimension" always refers to outside frame-to-frame dimension.
- "Minimum Rough Opening" dimensions may need to be increased to allow for use of building wraps, flashing, sill panning, brackets, fasteners or other items. See page 110 for more details.
- Dimensions in parentheses are in millimeters.

GLIDING WINDOWS

Table Gliding Window Sizes – Active-Stationary-Active (XOX) 1:2:1 Sash Ratio

Scale 1/8" (3) = 1'-0" (305) – 1:96

Notes on next page also apply to this page.

| Window Dimension | 4'-11 1/2" (1511) | 5'-11 1/2" (1816) | 6'-11 1/2" (2121) | 7'-5 1/2" (2273) | 7'-11 1/2" (2426) | 8'-5 1/2" (2578) |
|--|----------------------|----------------------|----------------------|---------------------|----------------------|---------------------|
| Minimum Rough Opening | 5'-0" (1524) | 6'-0" (1829) | 7'-0" (2134) | 7'-6" (2286) | 8'-0" (2438) | 8'-6" (2591) |
| Unobstructed Glass (width of center sash) | 27 7/8" (708) | 33 7/8" (861) | 39 7/8" (1013) | 42 7/8" (1089) | 45 7/8" (1165) | 48 7/8" (1242) |
| Unobstructed Glass (width of single venting sash) | 10 17/32" (267) | 13 17/32" (344) | 16 17/32" (420) | 18 17/32" (458) | 19 17/32" (496) | 21 17/32" (534) |

CUSTOM WIDTHS – 59 1/2" to 143 1/2"

| CUSTOM HEIGHTS – 17 1/2" to 71 1/2" | CUSTOM WIDTHS – 59 1/2" to 143 1/2" | | | | | |
|-------------------------------------|-------------------------------------|------|------|------|------|------|
| | 5016 | 6016 | 7016 | 7616 | 8016 | 8616 |
| 1'-5 1/2" (445) | | | | | | |
| 1'-11 1/2" (597) | | | | | | |
| 2'-5 1/2" (749) | | | | | | |
| 2'-11 1/2" (902) | | | | | | |
| 3'-5 1/2" (1054) | | | | | | |
| 3'-11 1/2" (1207) | | | | | | |
| 4'-5 1/2" (1359) | | | | | | |
| 4'-11 1/2" (1511) | | | | | | |
| 5'-5 1/2" (1664) | | | | | | |
| 5'-11 1/2" (1816) | | | | | | |

* "Window Dimension" always refers to outside frame-to-frame dimension.

* "Minimum Rough Opening" dimensions may need to be increased to allow for use of building wraps, flashing, sill panning, brackets, fasteners or other items. See page 110 for more details.

• Dimensions in parentheses are in millimeters.

◊ Meets or exceeds clear opening area of 5.7 sq. ft. or 0.53 m², clear opening width of 20" (508) and clear opening height of 24" (610). See table on pages 60-61.

| | | | |
|----------------------|----------------------|-----------------------|-----------------------|
| 8'-11 1/2" (2731) | 9'-11 1/2" (3035) | 10'-11 1/2" (3340) | 11'-11 1/2" (3645) |
| 9'-0" (2743) | 10'-0" (3048) | 11'-0" (3353) | 12'-0" (3658) |
| 51 7/8" (1318) | 57 7/8" (1470) | 63 7/8" (1623) | 69 7/8" (1775) |
| 22 17/32" (572) | 25 17/32" (648) | 28 17/32" (725) | 31 17/32" (801) |



Custom-size windows are available in 1/8" (3) increments. See page 90 for custom sizes and specifications.

| | | | |
|-------------------|--------------------|--------------------|--------------------|
| 9016 | 10016 | 11016 | 12016 |
| 9020 | 10020 | 11020 | 12020 |
| 9026 | 10026 | 11026 | 12026 ^o |
| 9030 | 10030 | 11030 ^o | 12030 ^o |
| 9036 ^o | 10036 ^o | 11036 ^o | 12036 ^o |
| 9040 ^o | 10040 ^o | 11040 ^o | 12040 ^o |
| 9046 ^o | 10046 ^o | 11046 ^o | 12046 ^o |
| 9050 ^o | 10050 ^o | 11050 ^o | 12050 ^o |
| 9056 ^o | 10056 ^o | 11056 ^o | 12056 ^o |
| 9060 ^o | 10060 ^o | 11060 ^o | 12060 ^o |



Active-Stationary-Active

Exterior view shown. Sash configuration is active-stationary-active (XOX) with a 1:2:1 sash ratio. Two locks for each sash are standard on all heights greater than 4'-2" (1270).

Details shown on pages 64-65. Grille patterns shown on page 63.

* "Window Dimension" always refers to outside frame-to-frame dimension.
 • "Minimum Rough Opening" dimensions may need to be increased to allow for use of building wraps, flashing, sill panning, brackets, fasteners or other items. See page 110 for more details.
 • Dimensions in parentheses are in millimeters.
 ◊ Meets or exceed clear opening area of 5.7 sq. ft. or 0.53 m², clear opening width of 20" (508) and clear opening height of 24" (610). See table on pages 60-61.

GLIDING WINDOWS

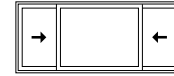
Table of Sizes – Picture Window Over Gliding With Active-Stationary-Active (XOX) 1:2:1 Sash Ratio

Scale 1/8" (3) = 1'-0" (305) – 1:96

| Window Dimension | 5'-11 1/2" (1816) | 6'-11 1/2" (2121) | 7'-11 1/2" (2426) | 8'-11 1/2" (2731) |
|---|----------------------|----------------------|----------------------|----------------------|
| Minimum Rough Opening | 6'-0" (1829) | 7'-0" (2134) | 8'-0" (2438) | 9'-0" (2743) |
| Unobstructed Glass (upper sash only) | 65 1/4" (1657) | 77 1/4" (1962) | 89 1/4" (2267) | 101 1/4" (2572) |

| | | | | |
|----------------------|-------------------|-------------------|-------------------|-------------------|
| 4'-11 1/2" (1511) | 5'-0" (1524) | 5'-0" (1524) | 5'-0" (1524) | 5'-0" (1524) |
| | 35 1/4" (895) | 35 1/4" (895) | 35 1/4" (895) | 35 1/4" (895) |
| 5'-11 1/2" (1816) | 6'-0" (1829) | 6'-0" (1829) | 6'-0" (1829) | 6'-0" (1829) |
| | 41 1/4" (1048) | 41 1/4" (1048) | 41 1/4" (1048) | 41 1/4" (1048) |
| 6'-11 1/2" (2121) | 7'-0" (2134) | 7'-0" (2134) | 7'-0" (2134) | 7'-0" (2134) |
| | 53 1/4" (1353) | 53 1/4" (1353) | 53 1/4" (1353) | 53 1/4" (1353) |

| | | | |
|--------------|--------------|--------------|--------------|
| 6036 6016 | 7036 7016 | 8036 8016 | 9036 9016 |
| 6040 6020 | 7040 7020 | 8040 8020 | 9040 9020 |
| 6050 6020 | 7050 7020 | 8050 8020 | 9050 9020 |



Active-Stationary-Active

Exterior view shown. Lower sash configuration is active-stationary-active (XOX) with a 1:2:1 sash ratio. Windows have one continuous outer frame.

For unobstructed glass dimensions of lower sash, see pages 54-55.

Details shown on pages 64-65.
Grille patterns shown on page 63.

• "Window Dimension" always refers to outside frame-to-frame dimension.
• "Minimum Rough Opening" dimensions may need to be increased to allow for use of building wraps, flashing, sill panning, brackets, fasteners or other items. See page 110 for more details.
• Dimensions in parentheses are in millimeters.

Table of Gliding Window Sizes – Active-Stationary-Active (XOX) 1:1:1 Equal Sash Ratio

Scale 1/8" (3) = 1'-0" (305) – 1:96

| Window Dimension | 3'-11 1/2" | 4'-11 1/2" | 5'-11 1/2" | 6'-11 1/2" | 7'-5 1/2" | 7'-11 1/2" | 8'-5 1/2" |
|--|------------|------------|------------|------------|-----------|------------|-----------|
| | (1207) | (1511) | (1816) | (2121) | (2273) | (2426) | (2578) |
| Minimum Rough Opening | 4'-0" | 5'-0" | 6'-0" | 7'-0" | 7'-6" | 8'-0" | 8'-6" |
| | (1219) | (1524) | (1829) | (2134) | (2286) | (2438) | (2591) |
| Unobstructed Glass (width of center sash) | 12 11/32" | 16 11/32" | 20 11/32" | 24 11/32" | 26 11/32" | 28 11/32" | 30 11/32" |
| | (313) | (415) | (517) | (618) | (669) | (720) | (771) |
| Unobstructed Glass (width of single venting sash) | 12 9/32" | 16 9/32" | 20 9/32" | 24 9/32" | 26 9/32" | 28 9/32" | 30 9/32" |
| | (312) | (414) | (516) | (617) | (668) | (719) | (770) |

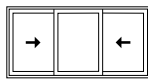
CUSTOM WIDTHS – 47 1/2" to 101 1/2"

CUSTOM HEIGHTS – 17 1/2" to 71 1/2"

| Height | 4016 | 5016 | 6016 | 7016 | 7616 | 8016 | 8616 |
|-------------------|------|------|------|------|------|------|------|
| 1'-5 1/2" (445) | | | | | | | |
| 1'-11 1/2" (597) | | | | | | | |
| 2'-5 1/2" (749) | | | | | | | |
| 2'-11 1/2" (902) | | | | | | | |
| 3'-5 1/2" (1054) | | | | | | | |
| 3'-11 1/2" (1207) | | | | | | | |
| 4'-5 1/2" (1359) | | | | | | | |
| 4'-11 1/2" (1511) | | | | | | | |
| 5'-5 1/2" (1664) | | | | | | | |
| 5'-11 1/2" (1816) | | | | | | | |



Custom-size windows are available in 1/8" (3) increments. See page 90 for custom sizes and specifications.



Active-Stationary-Active

Exterior view shown. Sash configuration is active-stationary-active (XOX) with a 1:1:1 equal sash ratio. Two locks are standard on all heights greater than 4'-2" (1270). Grille patterns shown on page 63.

*"Window Dimension" always refers to outside frame-to-frame dimension.
 • "Minimum Rough Opening" dimensions may need to be increased to allow for use of building wraps, flashing, sill panning, brackets, fasteners or other items. See page 110 for more details.
 • Dimensions in parentheses are in millimeters.
 ◊Meets or exceed clear opening area of 5.7 sq. ft. or 0.53 m², clear opening width of 20" (508) and clear opening height of 24" (610). See table on pages 62-63.

100 Series Gliding Windows

Gliding Window Opening and Area Specifications – Active-Stationary or Stationary-Active (XO/OX) Sash *(continued)*

| Window Number | Clear Opening Area Sq. Ft./ (m ²) | Clear Opening in Full Open Position | | Total Glass Area Sq. Ft./ (m ²) | Fixed Sash Glass Area Sq. Ft./ (m ²) | Active Sash Glass Area Sq. Ft./ (m ²) | Vent Area Sq. Ft./ (m ²) | Top of Subfloor to Top of Inside Sill Stop Inches/ (mm) | Overall Window Area Sq. Ft./ (m ²) |
|---------------|--|-------------------------------------|------------------------|--|---|--|---|--|---|
| | | Width Inches/ (mm) | Height Inches/ (mm) | | | | | | |
| 4626 | 4.16 (0.39) | 23 1/16" (585) | 26" (660) | 7.28 (0.68) | 3.64 (0.34) | 3.64 (0.34) | 4.16 (0.39) | 54 1/2" (1384) | 10.96 (1.02) |
| 4630 | 5.12 (0.48) | 23 1/16" (585) | 32" (813) | 9.16 (0.85) | 4.58 (0.43) | 4.58 (0.43) | 5.12 (0.48) | 48 1/2" (1232) | 13.19 (1.23) |
| 4636 ◊ | 6.08 (0.56) | 23 1/16" (585) | 38" (965) | 11.04 (1.03) | 5.52 (0.51) | 5.51 (0.51) | 6.08 (0.56) | 42 1/2" (1080) | 15.42 (1.43) |
| 4640 ◊ | 7.04 (0.65) | 23 1/16" (585) | 44" (1118) | 12.92 (1.20) | 6.46 (0.60) | 6.45 (0.60) | 7.04 (0.65) | 36 1/2" (927) | 17.65 (1.64) |
| 4646 ◊ | 8.00 (0.74) | 23 1/16" (585) | 50" (1270) | 14.80 (1.37) | 7.40 (0.69) | 7.39 (0.69) | 8.00 (0.74) | 30 1/2" (775) | 19.88 (1.85) |
| 4650 ◊ | 8.96 (0.83) | 23 1/16" (585) | 56" (1422) | 16.67 (1.55) | 8.34 (0.78) | 8.33 (0.77) | 8.96 (0.83) | 24 1/2" (622) | 22.11 (2.05) |
| 4656 ◊ | 9.92 (0.92) | 23 1/16" (585) | 62" (1575) | 18.55 (1.72) | 9.28 (0.86) | 9.27 (0.86) | 9.92 (0.92) | 18 1/2" (470) | 24.34 (2.26) |
| 4660 ◊ | 10.88 (1.01) | 23 1/16" (585) | 68" (1727) | 20.43 (1.90) | 10.23 (0.95) | 10.21 (0.95) | 10.88 (1.01) | 12 1/2" (318) | 26.56 (2.47) |
| 5010 | 1.45 (0.13) | 26 1/16" (661) | 8" (203) | 1.86 (0.17) | 0.93 (0.09) | 0.93 (0.09) | 1.45 (0.13) | 72 1/2" (1842) | 4.75 (0.44) |
| 5016 | 2.53 (0.24) | 26 1/16" (661) | 14" (356) | 3.99 (0.37) | 2.00 (0.19) | 1.99 (0.19) | 2.53 (0.24) | 66 1/2" (1689) | 7.23 (0.67) |
| 5020 | 3.62 (0.34) | 26 1/16" (661) | 20" (508) | 6.12 (0.57) | 3.06 (0.28) | 3.06 (0.28) | 3.62 (0.34) | 60 1/2" (1537) | 9.71 (0.90) |
| 5026 | 4.70 (0.44) | 26 1/16" (661) | 26" (660) | 8.25 (0.77) | 4.13 (0.38) | 4.12 (0.38) | 4.70 (0.44) | 54 1/2" (1384) | 12.19 (1.13) |
| 5030 ◊ | 5.79 (0.54) | 26 1/16" (661) | 32" (813) | 10.38 (0.96) | 5.19 (0.48) | 5.18 (0.48) | 5.79 (0.54) | 48 1/2" (1232) | 14.67 (1.36) |
| 5036 ◊ | 6.87 (0.64) | 26 1/16" (661) | 38" (965) | 12.51 (1.16) | 6.26 (0.58) | 6.25 (0.58) | 6.87 (0.64) | 42 1/2" (1080) | 17.15 (1.59) |
| 5040 ◊ | 7.96 (0.74) | 26 1/16" (661) | 44" (1118) | 14.64 (1.36) | 7.32 (0.68) | 7.31 (0.68) | 7.96 (0.74) | 36 1/2" (927) | 19.63 (1.82) |
| 5046 ◊ | 9.04 (0.84) | 26 1/16" (661) | 50" (1270) | 16.76 (1.56) | 8.39 (0.78) | 8.38 (0.78) | 9.04 (0.84) | 30 1/2" (775) | 22.11 (2.05) |
| 5050 ◊ | 10.13 (0.94) | 26 1/16" (661) | 56" (1422) | 18.89 (1.76) | 9.45 (0.88) | 9.44 (0.88) | 10.13 (0.94) | 24 1/2" (622) | 24.59 (2.28) |
| 5056 ◊ | 11.21 (1.04) | 26 1/16" (661) | 62" (1575) | 21.02 (1.95) | 10.52 (0.98) | 10.50 (0.98) | 11.21 (1.04) | 18 1/2" (470) | 27.06 (2.51) |
| 5060 ◊ | 12.30 (1.14) | 26 1/16" (661) | 68" (1727) | 23.15 (2.15) | 11.58 (1.08) | 11.57 (1.07) | 12.30 (1.14) | 12 1/2" (318) | 29.54 (2.74) |
| 5610 | 1.61 (0.15) | 29 1/16" (738) | 8" (203) | 2.08 (0.19) | 1.04 (0.10) | 1.04 (0.10) | 1.61 (0.15) | 72 1/2" (1842) | 5.23 (0.49) |
| 5616 | 2.82 (0.26) | 29 1/16" (738) | 14" (356) | 4.46 (0.41) | 2.23 (0.21) | 2.23 (0.21) | 2.82 (0.26) | 66 1/2" (1689) | 7.96 (0.74) |
| 5620 | 4.03 (0.37) | 29 1/16" (738) | 20" (508) | 6.84 (0.64) | 3.42 (0.32) | 3.42 (0.32) | 4.03 (0.37) | 60 1/2" (1537) | 10.69 (0.99) |
| 5626 | 5.24 (0.49) | 29 1/16" (738) | 26" (660) | 9.22 (0.86) | 4.61 (0.43) | 4.61 (0.43) | 5.24 (0.49) | 54 1/2" (1384) | 13.42 (1.25) |
| 5630 ◊ | 6.45 (0.60) | 29 1/16" (738) | 32" (813) | 11.60 (1.08) | 5.80 (0.54) | 5.79 (0.54) | 6.45 (0.60) | 48 1/2" (1232) | 16.15 (1.50) |
| 5636 ◊ | 7.66 (0.71) | 29 1/16" (738) | 38" (965) | 13.98 (1.30) | 6.99 (0.65) | 6.98 (0.65) | 7.66 (0.71) | 42 1/2" (1080) | 18.88 (1.75) |
| 5640 ◊ | 8.87 (0.82) | 29 1/16" (738) | 44" (1118) | 16.35 (1.52) | 8.18 (0.76) | 8.17 (0.76) | 8.87 (0.82) | 36 1/2" (927) | 21.61 (2.01) |
| 5646 ◊ | 10.08 (0.94) | 29 1/16" (738) | 50" (1270) | 18.73 (1.74) | 9.37 (0.87) | 9.36 (0.87) | 10.08 (0.94) | 30 1/2" (775) | 24.34 (2.26) |
| 5650 ◊ | 11.29 (1.05) | 29 1/16" (738) | 56" (1422) | 21.11 (1.96) | 10.56 (0.98) | 10.55 (0.98) | 11.29 (1.05) | 24 1/2" (622) | 27.06 (2.51) |
| 5656 ◊ | 12.50 (1.16) | 29 1/16" (738) | 62" (1575) | 23.49 (2.18) | 11.75 (1.09) | 11.74 (1.09) | 12.50 (1.16) | 18 1/2" (470) | 29.79 (2.77) |
| 5660 ◊ | 13.71 (1.27) | 29 1/16" (738) | 68" (1727) | 25.87 (2.40) | 12.94 (1.20) | 12.92 (1.20) | 13.71 (1.27) | 12 1/2" (318) | 32.52 (3.02) |
| 6010 | 1.78 (0.17) | 32 1/16" (814) | 8" (203) | 2.30 (0.21) | 1.15 (0.11) | 1.15 (0.11) | 1.78 (0.17) | 72 1/2" (1842) | 5.71 (0.53) |
| 6016 | 3.11 (0.29) | 32 1/16" (814) | 14" (356) | 4.93 (0.46) | 2.47 (0.23) | 2.46 (0.23) | 3.11 (0.29) | 66 1/2" (1689) | 8.69 (0.81) |
| 6020 | 4.45 (0.41) | 32 1/16" (814) | 20" (508) | 7.56 (0.70) | 3.78 (0.35) | 3.78 (0.35) | 4.45 (0.41) | 60 1/2" (1537) | 11.67 (1.08) |
| 6026 ◊ | 5.78 (0.54) | 32 1/16" (814) | 26" (660) | 10.19 (0.95) | 5.10 (0.47) | 5.09 (0.47) | 5.78 (0.54) | 54 1/2" (1384) | 14.65 (1.36) |
| 6030 ◊ | 7.12 (0.66) | 32 1/16" (814) | 32" (813) | 12.82 (1.19) | 6.41 (0.60) | 6.40 (0.59) | 7.12 (0.66) | 48 1/2" (1232) | 17.63 (1.64) |
| 6036 ◊ | 8.45 (0.79) | 32 1/16" (814) | 38" (965) | 15.44 (1.43) | 7.73 (0.72) | 7.72 (0.72) | 8.45 (0.79) | 42 1/2" (1080) | 20.61 (1.91) |
| 6040 ◊ | 9.79 (0.91) | 32 1/16" (814) | 44" (1118) | 18.07 (1.68) | 9.04 (0.84) | 9.03 (0.84) | 9.79 (0.91) | 36 1/2" (927) | 23.59 (2.19) |
| 6046 ◊ | 11.12 (1.03) | 32 1/16" (814) | 50" (1270) | 20.70 (1.92) | 10.36 (0.96) | 10.34 (0.96) | 11.12 (1.03) | 30 1/2" (775) | 26.56 (2.47) |
| 6050 ◊ | 12.46 (1.16) | 32 1/16" (814) | 56" (1422) | 23.33 (2.17) | 11.67 (1.08) | 11.66 (1.08) | 12.46 (1.16) | 24 1/2" (622) | 29.54 (2.74) |
| 6056 ◊ | 13.79 (1.28) | 32 1/16" (814) | 62" (1575) | 25.96 (2.41) | 12.99 (1.21) | 12.97 (1.21) | 13.79 (1.28) | 18 1/2" (470) | 32.52 (3.02) |
| 6060 ◊ | 15.13 (1.41) | 32 1/16" (814) | 68" (1727) | 28.59 (2.66) | 14.30 (1.33) | 14.28 (1.33) | 15.13 (1.41) | 12 1/2" (318) | 35.50 (3.30) |

*"Top of Subfloor to Top of Inside Sill Stop" is calculated based upon a structural header height of 6'-10 1/2" (2096).

*Dimensions in parentheses are in millimeters or square meters.

◊Meets or exceed clear opening area of 5.7 sq. ft. or 0.53 m², clear opening width of 20" (508) and clear opening height of 24" (610).

Gliding Window Opening and Area Specifications – Active-Stationary-Active (XOX) 1:2:1 Sash Ratio *(continued)*

| Window Number | Clear Opening Area Sq. Ft./ (m ²) | Clear Opening in Full Open Position | | Total Glass Area Sq. Ft./ (m ²) | Fixed Sash Glass Area Sq. Ft./ (m ²) | Single Active Sash Glass Area Sq. Ft./ (m ²) | Vent Area Sq. Ft./ (m ²) | Top of Subfloor to Top of Inside Sill Stop Inches/ (mm) | Overall Window Area Sq. Ft./ (m ²) |
|---------------|--|-------------------------------------|------------------------|--|---|---|---|--|---|
| | | Width Inches/ (mm) | Height Inches/ (mm) | | | | | | |
| 8656 ◊ | 9.64 (0.90) | 22 3/8" (569) | 62" (1575) | 37.41 (3.48) | 20.11 (1.87) | 8.65 (0.80) | 19.29 (1.79) | 18 1/2" (470) | 46.17 (4.29) |
| 8660 ◊ | 10.58 (0.98) | 22 3/8" (569) | 68" (1727) | 41.20 (3.83) | 22.15 (2.06) | 9.53 (0.89) | 21.15 (1.97) | 12 1/2" (318) | 50.40 (4.68) |
| 9016 | 2.32 (0.22) | 23 7/8" (607) | 14" (356) | 7.57 (0.70) | 4.05 (0.38) | 1.76 (0.16) | 4.65 (0.43) | 66 1/2" (1689) | 13.06 (1.21) |
| 9020 | 3.32 (0.31) | 23 7/8" (607) | 20" (508) | 11.61 (1.08) | 6.22 (0.58) | 2.70 (0.25) | 6.64 (0.62) | 60 1/2" (1537) | 17.54 (1.63) |
| 9026 | 4.32 (0.40) | 23 7/8" (607) | 26" (660) | 15.65 (1.45) | 8.38 (0.78) | 3.64 (0.34) | 8.63 (0.80) | 54 1/2" (1384) | 22.02 (2.05) |
| 9030 | 5.31 (0.49) | 23 7/8" (607) | 32" (813) | 19.69 (1.83) | 10.54 (0.98) | 4.58 (0.43) | 10.62 (0.99) | 48 1/2" (1232) | 26.50 (2.46) |
| 9036 ◊ | 6.31 (0.59) | 23 7/8" (607) | 38" (965) | 23.73 (2.20) | 12.70 (1.18) | 5.51 (0.51) | 12.61 (1.17) | 42 1/2" (1080) | 30.98 (2.88) |
| 9040 ◊ | 7.30 (0.68) | 23 7/8" (607) | 44" (1118) | 27.77 (2.58) | 14.86 (1.38) | 6.45 (0.60) | 14.60 (1.36) | 36 1/2" (927) | 35.46 (3.29) |
| 9046 ◊ | 8.30 (0.77) | 23 7/8" (607) | 50" (1270) | 31.81 (2.95) | 17.02 (1.58) | 7.39 (0.69) | 16.60 (1.54) | 30 1/2" (775) | 39.94 (3.71) |
| 9050 ◊ | 9.29 (0.86) | 23 7/8" (607) | 56" (1422) | 35.84 (3.33) | 19.19 (1.78) | 8.33 (0.77) | 18.59 (1.73) | 24 1/2" (622) | 44.42 (4.13) |
| 9056 ◊ | 10.29 (0.96) | 23 7/8" (607) | 62" (1575) | 39.88 (3.71) | 21.35 (1.98) | 9.27 (0.86) | 20.58 (1.91) | 18 1/2" (470) | 48.90 (4.54) |
| 9060 ◊ | 11.29 (1.05) | 23 7/8" (607) | 68" (1727) | 43.92 (4.08) | 23.51 (2.18) | 10.21 (0.95) | 22.57 (2.10) | 12 1/2" (318) | 53.38 (4.96) |
| 10016 | 2.62 (0.24) | 26 7/8" (683) | 14" (356) | 8.51 (0.79) | 4.52 (0.42) | 1.99 (0.19) | 5.23 (0.49) | 66 1/2" (1689) | 14.52 (1.35) |
| 10020 | 3.74 (0.35) | 26 7/8" (683) | 20" (508) | 13.05 (1.21) | 6.93 (0.64) | 3.06 (0.28) | 7.47 (0.69) | 60 1/2" (1537) | 19.50 (1.81) |
| 10026 | 4.86 (0.45) | 26 7/8" (683) | 26" (660) | 17.59 (1.63) | 9.35 (0.87) | 4.12 (0.38) | 9.71 (0.90) | 54 1/2" (1384) | 24.48 (2.27) |
| 10030 | 5.98 (0.56) | 26 7/8" (683) | 32" (813) | 22.13 (2.06) | 11.76 (1.09) | 5.18 (0.48) | 11.96 (1.11) | 48 1/2" (1232) | 29.46 (2.74) |
| 10036 ◊ | 7.10 (0.66) | 26 7/8" (683) | 38" (965) | 26.67 (2.48) | 14.17 (1.32) | 6.25 (0.58) | 14.20 (1.32) | 42 1/2" (1080) | 34.44 (3.20) |
| 10040 ◊ | 8.22 (0.76) | 26 7/8" (683) | 44" (1118) | 31.20 (2.90) | 16.58 (1.54) | 7.31 (0.68) | 16.44 (1.53) | 36 1/2" (927) | 39.42 (3.66) |
| 10046 ◊ | 9.34 (0.87) | 26 7/8" (683) | 50" (1270) | 35.74 (3.32) | 18.99 (1.76) | 8.38 (0.78) | 18.68 (1.74) | 30 1/2" (775) | 44.40 (4.12) |
| 10050 ◊ | 10.46 (0.97) | 26 7/8" (683) | 56" (1422) | 40.28 (3.74) | 21.40 (1.99) | 9.44 (0.88) | 20.92 (1.94) | 24 1/2" (622) | 49.38 (4.59) |
| 10056 ◊ | 11.58 (1.08) | 26 7/8" (683) | 62" (1575) | 44.82 (4.16) | 23.82 (2.21) | 10.50 (0.98) | 23.16 (2.15) | 18 1/2" (470) | 54.36 (5.05) |
| 10060 ◊ | 12.70 (1.18) | 26 7/8" (683) | 68" (1727) | 49.36 (4.59) | 26.23 (2.44) | 11.57 (1.07) | 25.40 (2.36) | 12 1/2" (318) | 59.34 (5.51) |
| 11016 | 2.91 (0.27) | 29 7/8" (759) | 14" (356) | 9.45 (0.88) | 4.99 (0.46) | 2.23 (0.21) | 5.81 (0.54) | 66 1/2" (1689) | 15.98 (1.48) |
| 11020 | 4.15 (0.39) | 29 7/8" (759) | 20" (508) | 14.49 (1.35) | 7.65 (0.71) | 3.42 (0.32) | 8.31 (0.77) | 60 1/2" (1537) | 21.46 (1.99) |
| 11026 | 5.40 (0.50) | 29 7/8" (759) | 26" (660) | 19.53 (1.81) | 10.31 (0.96) | 4.61 (0.43) | 10.80 (1.00) | 54 1/2" (1384) | 26.94 (2.50) |
| 11030 ◊ | 6.64 (0.62) | 29 7/8" (759) | 32" (813) | 24.56 (2.28) | 12.98 (1.21) | 5.79 (0.54) | 13.29 (1.23) | 48 1/2" (1232) | 32.42 (3.01) |
| 11036 ◊ | 7.89 (0.73) | 29 7/8" (759) | 38" (965) | 29.60 (2.75) | 15.64 (1.45) | 6.98 (0.65) | 15.78 (1.47) | 42 1/2" (1080) | 37.90 (3.52) |
| 11040 ◊ | 9.14 (0.85) | 29 7/8" (759) | 44" (1118) | 34.64 (3.22) | 18.30 (1.70) | 8.17 (0.76) | 18.27 (1.70) | 36 1/2" (927) | 43.38 (4.03) |
| 11046 ◊ | 10.38 (0.96) | 29 7/8" (759) | 50" (1270) | 39.68 (3.69) | 20.96 (1.95) | 9.36 (0.87) | 20.76 (1.93) | 30 1/2" (775) | 48.86 (4.54) |
| 11050 ◊ | 11.63 (1.08) | 29 7/8" (759) | 56" (1422) | 44.72 (4.15) | 23.62 (2.19) | 10.55 (0.98) | 23.25 (2.16) | 24 1/2" (622) | 54.34 (5.05) |
| 11056 ◊ | 12.87 (1.20) | 29 7/8" (759) | 62" (1575) | 49.76 (4.62) | 26.28 (2.44) | 11.74 (1.09) | 25.75 (2.39) | 18 1/2" (470) | 59.81 (5.56) |
| 11060 ◊ | 14.12 (1.31) | 29 7/8" (759) | 68" (1727) | 54.80 (5.09) | 28.95 (2.69) | 12.92 (1.20) | 28.24 (2.62) | 12 1/2" (318) | 65.29 (6.07) |
| 12016 | 3.20 (0.30) | 32 7/8" (836) | 14" (356) | 10.39 (0.96) | 5.46 (0.51) | 2.46 (0.23) | 6.40 (0.59) | 66 1/2" (1689) | 17.44 (1.62) |
| 12020 | 4.57 (0.42) | 32 7/8" (836) | 20" (508) | 15.92 (1.48) | 8.37 (0.78) | 3.78 (0.35) | 9.14 (0.85) | 60 1/2" (1537) | 23.42 (2.18) |
| 12026 ◊ | 5.94 (0.55) | 32 7/8" (836) | 26" (660) | 21.46 (1.99) | 11.28 (1.05) | 5.09 (0.47) | 11.88 (1.10) | 54 1/2" (1384) | 29.40 (2.73) |
| 12030 ◊ | 7.31 (0.68) | 32 7/8" (836) | 32" (813) | 27.00 (2.51) | 14.19 (1.32) | 6.40 (0.59) | 14.62 (1.36) | 48 1/2" (1232) | 35.38 (3.29) |
| 12036 ◊ | 8.68 (0.81) | 32 7/8" (836) | 38" (965) | 32.54 (3.02) | 17.11 (1.59) | 7.72 (0.72) | 17.36 (1.61) | 42 1/2" (1080) | 41.36 (3.84) |
| 12040 ◊ | 10.05 (0.93) | 32 7/8" (836) | 44" (1118) | 38.08 (3.54) | 20.02 (1.86) | 9.03 (0.84) | 20.10 (1.87) | 36 1/2" (927) | 47.34 (4.40) |
| 12046 ◊ | 11.42 (1.06) | 32 7/8" (836) | 50" (1270) | 43.62 (4.05) | 22.93 (2.13) | 10.34 (0.96) | 22.85 (2.12) | 30 1/2" (775) | 53.31 (4.95) |
| 12050 ◊ | 12.79 (1.19) | 32 7/8" (836) | 56" (1422) | 49.16 (4.57) | 25.84 (2.40) | 11.66 (1.08) | 25.59 (2.38) | 24 1/2" (622) | 59.29 (5.51) |
| 12056 ◊ | 14.16 (1.32) | 32 7/8" (836) | 62" (1575) | 54.70 (5.08) | 28.75 (2.67) | 12.97 (1.21) | 28.33 (2.63) | 18 1/2" (470) | 65.27 (6.06) |
| 12060 ◊ | 15.54 (1.44) | 32 7/8" (836) | 68" (1727) | 60.23 (5.60) | 31.67 (2.94) | 14.28 (1.33) | 31.07 (2.89) | 12 1/2" (318) | 71.25 (6.62) |

• "Top of Subfloor to Top of Inside Sill Stop" is calculated based upon a structural header height of 6'-10 1/2" (2096).
 • Dimensions in parentheses are in millimeters or square meters.
 ◊ Meets or exceed clear opening area of 5.7 sq. ft. or 0.53 m², clear opening width of 20" (508) and clear opening height of 24" (610).

100 Series Gliding Windows

Gliding Window Opening and Area Specifications – Active-Stationary-Active (XOX) 1:1:1 Equal Sash Ratio *(continued)*

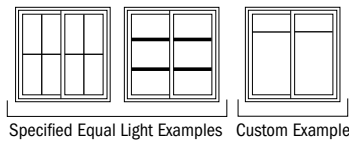
| Window Number | Clear Opening Area Sq. Ft./ (m ²) | Clear Opening in Full Open Position | | Total Glass Area Sq. Ft./ (m ²) | Fixed Sash Glass Area Sq. Ft./ (m ²) | Single Active Sash Glass Area Sq. Ft./ (m ²) | Vent Area Sq. Ft./ (m ²) | Top of Subfloor to Top of Inside Sill Stop Inches/ (mm) | Overall Window Area Sq. Ft./ (m ²) |
|---------------|--|-------------------------------------|------------------------|--|---|---|---|--|---|
| | | Width Inches/ (mm) | Height Inches/ (mm) | | | | | | |
| 8056 ◊ | 11.48 (1.07) | 26 5/8" (677) | 62" (1575) | 34.95 (3.25) | 11.66 (1.08) | 11.64 (1.08) | 22.97 (2.13) | 18 1/2" (470) | 43.44 (4.04) |
| 8060 ◊ | 12.59 (1.17) | 26 5/8" (677) | 68" (1727) | 38.48 (3.58) | 12.84 (1.19) | 12.82 (1.19) | 25.19 (2.34) | 12 1/2" (318) | 47.42 (4.41) |
| 8616 | 2.79 (0.26) | 28 5/8" (728) | 14" (356) | 7.10 (0.66) | 2.37 (0.22) | 2.37 (0.22) | 5.57 (0.52) | 66 1/2" (1689) | 12.34 (1.15) |
| 8620 | 3.98 (0.37) | 28 5/8" (728) | 20" (508) | 10.89 (1.01) | 3.63 (0.34) | 3.63 (0.34) | 7.96 (0.74) | 60 1/2" (1537) | 16.56 (1.54) |
| 8626 | 5.18 (0.48) | 28 5/8" (728) | 26" (660) | 14.68 (1.36) | 4.90 (0.46) | 4.89 (0.45) | 10.35 (0.96) | 54 1/2" (1384) | 20.79 (1.93) |
| 8630 ◊ | 6.37 (0.59) | 28 5/8" (728) | 32" (813) | 18.47 (1.72) | 6.16 (0.57) | 6.15 (0.57) | 12.74 (1.18) | 48 1/2" (1232) | 25.02 (2.32) |
| 8636 ◊ | 7.57 (0.70) | 28 5/8" (728) | 38" (965) | 22.26 (2.07) | 7.43 (0.69) | 7.42 (0.69) | 15.13 (1.41) | 42 1/2" (1080) | 29.25 (2.72) |
| 8640 ◊ | 8.76 (0.81) | 28 5/8" (728) | 44" (1118) | 26.05 (2.42) | 8.69 (0.81) | 8.68 (0.81) | 17.52 (1.63) | 36 1/2" (927) | 33.48 (3.11) |
| 8646 ◊ | 9.95 (0.92) | 28 5/8" (728) | 50" (1270) | 29.84 (2.77) | 9.95 (0.92) | 9.94 (0.92) | 19.91 (1.85) | 30 1/2" (775) | 37.71 (3.50) |
| 8650 ◊ | 11.15 (1.04) | 28 5/8" (728) | 56" (1422) | 33.63 (3.12) | 11.22 (1.04) | 11.20 (1.04) | 22.30 (2.07) | 24 1/2" (622) | 41.94 (3.90) |
| 8656 ◊ | 12.34 (1.15) | 28 5/8" (728) | 62" (1575) | 37.41 (3.48) | 12.48 (1.16) | 12.47 (1.16) | 24.69 (2.29) | 18 1/2" (470) | 46.17 (4.29) |
| 8660 ◊ | 13.54 (1.26) | 28 5/8" (728) | 68" (1727) | 41.20 (3.83) | 13.75 (1.28) | 13.73 (1.28) | 27.08 (2.52) | 12 1/2" (318) | 50.40 (4.68) |

• "Top of Subfloor to Top of Inside Sill Stop" is calculated based upon a structural header height of 6'-10 1/2" (2096).
 • Dimensions in parentheses are in millimeters or square meters.
 ◊ Meets or exceed clear opening area of 5.7 sq. ft. or 0.53 m², clear opening width of 20" (508) and clear opening height of 24" (610).

Grille Patterns

| | Prairie A | Colonial | Modified Colonial | Tall Fractional | Short Fractional |
|----------------|-----------|----------|-------------------|-----------------|------------------|
| Gliding | | | | | |

Number of lights and overall pattern varies with window size. Patterns shown may not be available for all sizes. Specified equal light and custom patterns are also available. For specified equal light, specify number of same-size rectangles across or down. For more information on divided light, see page 13 or visit andersenwindows.com/grilles.

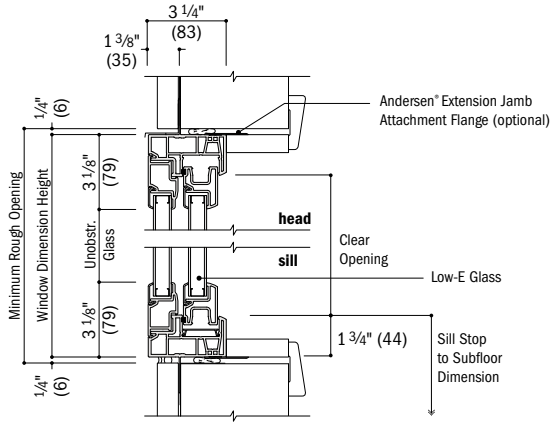


GLIDING WINDOWS

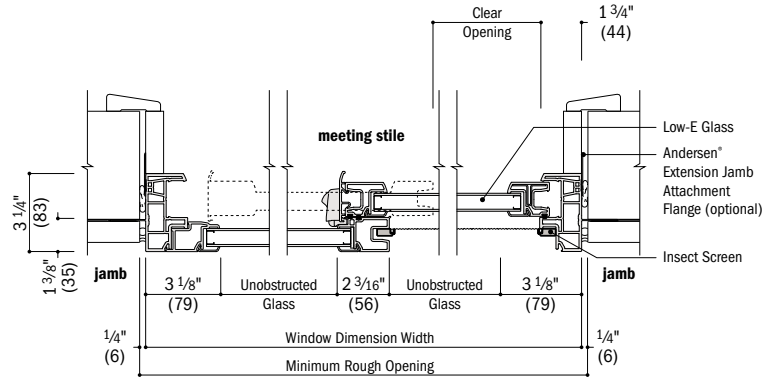
Gliding Window Details - New Construction

Scale 1 1/2" (38) = 1'-0" (305) - 1:8

1 3/8" flange setback

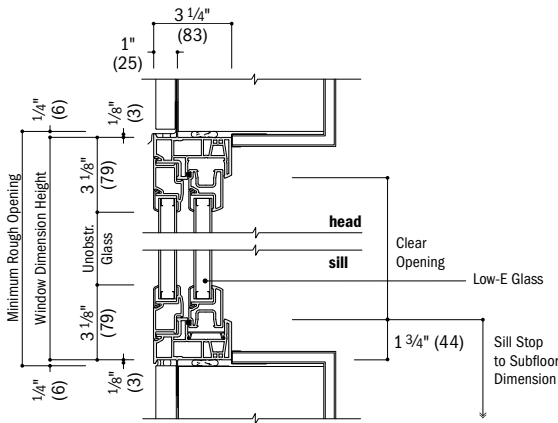


Vertical Section

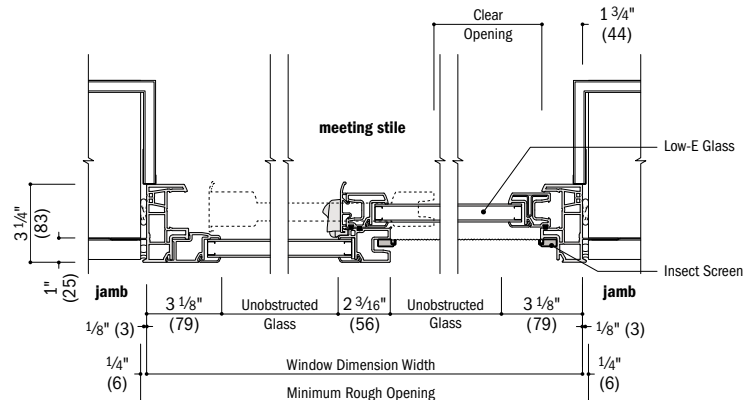


Horizontal Section

1" flange setback with stucco key

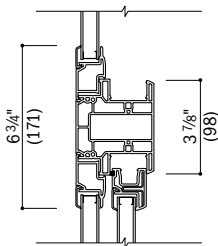


Vertical Section
Stucco Exterior



Horizontal Section
Stucco Exterior

integral



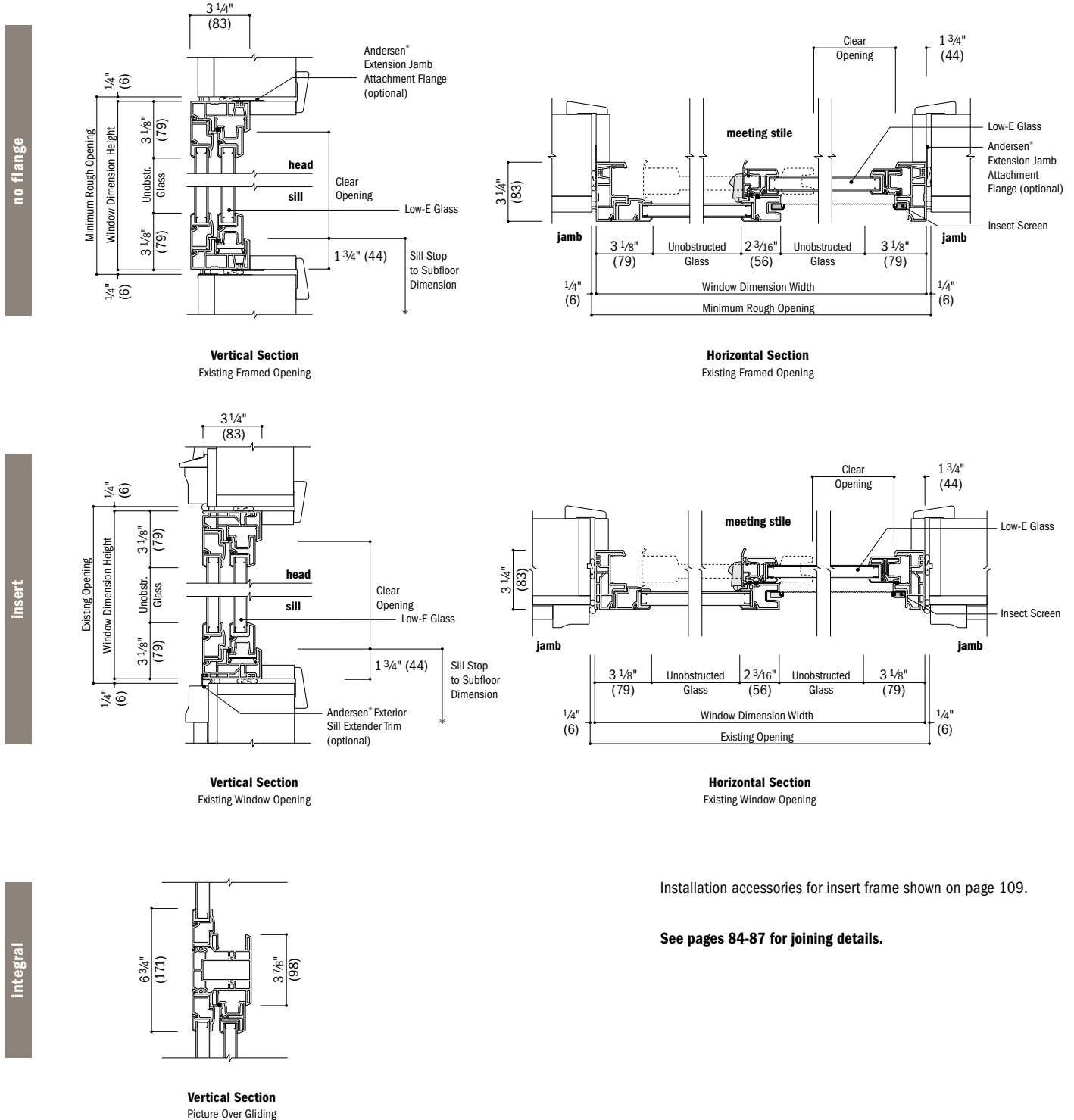
Vertical Section
Picture Over Gliding

See pages 84-87 for joining details.

- Drip cap is required to complete window installation as shown but may not be included with the window. Use of drip cap is recommended for proper installation.
- Light-colored areas are parts included with window. Dark-colored areas are additional Andersen® parts required to complete window assembly as shown.
- **Minimum rough openings may need to be increased to allow for use of building wraps, flashing, sill panning, brackets, fasteners or other items. See installation information on page 110.**
- Details are for illustration only and are not intended to represent product installation methods or materials. Refer to product installation instructions at andersenwindows.com.
- Dimensions in parentheses are in millimeters.

Gliding Window Details - Replacement

Scale 1 1/2" (38) = 1'-0" (305) - 1:8



100 Series Gliding Windows

Installation accessories for insert frame shown on page 109.

See pages 84-87 for joining details.

- Drip cap is required to complete window installation as shown but may not be included with the window. Use of drip cap is recommended for proper installation.
- Light-colored areas are parts included with window. Dark-colored areas are additional Andersen® parts required to complete window assembly as shown.
- **Minimum rough openings may need to be increased to allow for use of building wraps, flashing, sill panning, brackets, fasteners or other items. See installation information on page 110.**
- Details are for illustration only and are not intended to represent product installation methods or materials. Refer to product installation instructions at andersenwindows.com.
- Dimensions in parentheses are in millimeters.

PICTURE, TRANSOM & SPECIALTY WINDOWS

Table of Picture and Single Transom Window Sizes

Scale 1/8" (3) = 1'-0" (305) – 1:96

Notes on next page also apply to this page.

| Window Dimension | 11 1/2" | 1'-5 1/2" | 1'-11 1/2" | 2'-5 1/2" | 2'-11 1/2" | 3'-5 1/2" | 3'-11 1/2" | 4'-5 1/2" | 4'-11 1/2" | 5'-5 1/2" |
|------------------------------|---------|-----------|------------|-----------|------------|-----------|------------|-----------|------------|-----------|
| | (292) | (445) | (597) | (749) | (902) | (1054) | (1207) | (1359) | (1511) | (1664) |
| Minimum Rough Opening | 1'-0" | 1'-6" | 2'-0" | 2'-6" | 3'-0" | 3'-6" | 4'-0" | 4'-6" | 5'-0" | 5'-6" |
| | (305) | (457) | (610) | (762) | (914) | (1067) | (1219) | (1372) | (1524) | (1676) |
| Unobstructed Glass | 5 1/4" | 11 1/4" | 17 1/4" | 23 1/4" | 29 1/4" | 35 1/4" | 41 1/4" | 47 1/4" | 53 1/4" | 59 1/4" |
| | (133) | (286) | (438) | (591) | (743) | (895) | (1048) | (1200) | (1353) | (1505) |

CUSTOM WIDTHS – 11 1/2" to 95 1/2"

| Window Dimension | 11 1/2" | 1'-5 1/2" | 1'-11 1/2" | 2'-5 1/2" | 2'-11 1/2" | 3'-5 1/2" | 3'-11 1/2" | 4'-5 1/2" | 4'-11 1/2" | 5'-5 1/2" |
|------------------|---------|-----------|------------|-----------|------------|-----------|------------|-----------|------------|-----------|
| 11 1/2" | (292) | (445) | (597) | (749) | (902) | (1054) | (1207) | (1359) | (1511) | (1664) |
| 1'-5 1/2" | (445) | (457) | (610) | (762) | (914) | (1067) | (1219) | (1372) | (1524) | (1676) |
| 1'-11 1/2" | (597) | (610) | (610) | (762) | (914) | (1067) | (1219) | (1372) | (1524) | (1676) |
| 2'-5 1/2" | (749) | (762) | (914) | (914) | (914) | (914) | (914) | (914) | (914) | (914) |
| 2'-11 1/2" | (902) | (914) | (914) | (914) | (914) | (914) | (914) | (914) | (914) | (914) |
| 3'-5 1/2" | (1054) | (1067) | (1067) | (1067) | (1067) | (1067) | (1067) | (1067) | (1067) | (1067) |
| 3'-11 1/2" | (1207) | (1219) | (1219) | (1219) | (1219) | (1219) | (1219) | (1219) | (1219) | (1219) |
| 4'-5 1/2" | (1359) | (1372) | (1372) | (1372) | (1372) | (1372) | (1372) | (1372) | (1372) | (1372) |
| 4'-11 1/2" | (1511) | (1524) | (1524) | (1524) | (1524) | (1524) | (1524) | (1524) | (1524) | (1524) |
| 5'-5 1/2" | (1664) | (1676) | (1676) | (1676) | (1676) | (1676) | (1676) | (1676) | (1676) | (1676) |
| 5'-11 1/2" | (1816) | (1829) | (1829) | (1829) | (1829) | (1829) | (1829) | (1829) | (1829) | (1829) |
| 6'-5 1/2" | (1969) | (1981) | (1981) | (1981) | (1981) | (1981) | (1981) | (1981) | (1981) | (1981) |

* "Window Dimension" always refers to outside frame-to-frame dimension.
 • "Minimum Rough Opening" dimensions may need to be increased to allow for use of building wraps, flashing, sill panning, brackets, fasteners or other items. See page 110 for more details.
 • Dimensions in parentheses are in millimeters.

Picture and transom sizes on pages 66-71.

| | | | | |
|----------------------|---------------------|----------------------|---------------------|----------------------|
| 5'-11 1/2" (1816) | 6'-5 1/2" (1969) | 6'-11 1/2" (2121) | 7'-5 1/2" (2273) | 7'-11 1/2" (2426) |
| 6'-0" (1829) | 6'-6" (1981) | 7'-0" (2134) | 7'-6" (2286) | 8'-0" (2438) |
| 65 1/4" (1657) | 71 1/4" (1810) | 77 1/4" (1962) | 83 1/4" (2115) | 89 1/4" (2267) |



Custom-size windows are available in 1/8" (3) increments. See page 90 for custom sizes and specifications.

Details shown on pages 81-82.

Grille patterns shown on page 77.

| | | | | |
|------|------|------|------|------|
| 6010 | 6610 | 7010 | 7610 | 8010 |
| 6016 | 6616 | 7016 | 7616 | 8016 |
| 6020 | 6620 | 7020 | 7620 | 8020 |
| 6026 | 6626 | 7026 | 7626 | 8026 |
| 6030 | 6630 | 7030 | 7630 | 8030 |
| 6036 | 6636 | 7036 | 7636 | 8036 |
| 6040 | 6640 | 7040 | 7640 | 8040 |
| 6046 | 6646 | 7046 | 7646 | 8046 |
| 6050 | 6650 | 7050 | 7650 | 8050 |
| 6056 | 6656 | 7056 | 7656 | 8056 |
| 6060 | 6660 | 7060 | 7660 | 8060 |
| 6066 | | | | |

continued on next page

- "Window Dimension" always refers to outside frame-to-frame dimension.
- "Minimum Rough Opening" dimensions may need to be increased to allow for use of building wraps, flashing, sill panning, brackets, fasteners or other items. See page 110 for more details.
- Dimensions in parentheses are in millimeters.

PICTURE, TRANSOM & SPECIALTY WINDOWS

Table of Picture and Single Transom Window Sizes (continued)

Notes on next page also apply to this page.

Scale 1/8" (3) = 1'-0" (305) – 1:96

| | | | | | | | | | | |
|------------------------------|------------------|--------------------|---------------------|--------------------|---------------------|---------------------|----------------------|---------------------|----------------------|---------------------|
| Window Dimension | 11 1/2" (292) | 1'-5 1/2" (445) | 1'-11 1/2" (597) | 2'-5 1/2" (749) | 2'-11 1/2" (902) | 3'-5 1/2" (1054) | 3'-11 1/2" (1207) | 4'-5 1/2" (1359) | 4'-11 1/2" (1511) | 5'-5 1/2" (1664) |
| Minimum Rough Opening | 1'-0" (305) | 1'-6" (457) | 2'-0" (610) | 2'-6" (762) | 3'-0" (914) | 3'-6" (1067) | 4'-0" (1219) | 4'-6" (1372) | 5'-0" (1524) | 5'-6" (1676) |
| Unobstructed Glass | 5 1/4" (133) | 11 1/4" (286) | 17 1/4" (438) | 23 1/4" (591) | 29 1/4" (743) | 35 1/4" (895) | 41 1/4" (1048) | 47 1/4" (1200) | 53 1/4" (1353) | 59 1/4" (1505) |

CUSTOM WIDTHS – 11 1/2" to 95 1/2"

| | | | | | | | | | | | |
|--|-------------------------------------|------|------|------|------|------|------|------|------|------|------|
| 6'-11 1/2" (2121) 7'-0" (2134) 7'-7 1/4" (1962) | CUSTOM HEIGHTS – 11 1/2" to 95 1/2" | 1070 | 1670 | 2070 | 2670 | 3070 | 3670 | 4070 | 4670 | 5070 | 5670 |
| | | 1076 | 1676 | 2076 | 2676 | 3076 | 3676 | 4076 | 4676 | 5076 | 5676 |
| | | 1080 | 1680 | 2080 | 2680 | 3080 | 3680 | 4080 | 4680 | 5080 | 5680 |

- "Window Dimension" always refers to outside frame-to-frame dimension.
- "Minimum Rough Opening" dimensions may need to be increased to allow for use of building wraps, flashing, sill panning, brackets, fasteners or other items. See page 110 for more details.
- Dimensions in parentheses are in millimeters.

Picture and Single Transom Window Area Specifications

| Window Number | Glass Area Sq. Ft./ (m ²) | Overall Window Area Sq. Ft./ (m ²) |
|---------------|--|---|
| 1010 | 0.19 (0.02) | 0.92 (0.09) |
| 1016 | 0.41 (0.04) | 1.40 (0.13) |
| 1020 | 0.63 (0.06) | 1.88 (0.17) |
| 1026 | 0.85 (0.08) | 2.36 (0.22) |
| 1030 | 1.07 (0.10) | 2.84 (0.26) |
| 1036 | 1.29 (0.12) | 3.31 (0.31) |
| 1040 | 1.50 (0.14) | 3.79 (0.35) |
| 1046 | 1.72 (0.16) | 4.27 (0.40) |
| 1050 | 1.94 (0.18) | 4.75 (0.44) |
| 1056 | 2.16 (0.20) | 5.23 (0.49) |
| 1060 | 2.38 (0.22) | 5.71 (0.53) |
| 1066 | 2.60 (0.24) | 6.19 (0.57) |
| 1070 | 2.82 (0.26) | 6.67 (0.62) |
| 1076 | 3.04 (0.28) | 7.15 (0.66) |
| 1080 | 3.25 (0.30) | 7.63 (0.71) |
| 1610 | 0.41 (0.04) | 1.40 (0.13) |
| 1616 | 0.88 (0.08) | 2.13 (0.20) |
| 1620 | 1.35 (0.13) | 2.86 (0.27) |
| 1626 | 1.82 (0.17) | 3.59 (0.33) |
| 1630 | 2.29 (0.21) | 4.31 (0.40) |
| 1636 | 2.75 (0.26) | 5.04 (0.47) |
| 1640 | 3.22 (0.30) | 5.77 (0.54) |
| 1646 | 3.69 (0.34) | 6.50 (0.60) |

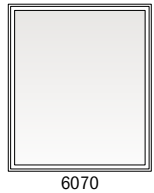
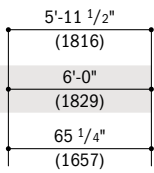
| Window Number | Glass Area Sq. Ft./ (m ²) | Overall Window Area Sq. Ft./ (m ²) |
|---------------|--|---|
| 1650 | 4.16 (0.39) | 7.23 (0.67) |
| 1656 | 4.63 (0.43) | 7.96 (0.74) |
| 1660 | 5.10 (0.47) | 8.69 (0.81) |
| 1666 | 5.57 (0.52) | 9.42 (0.87) |
| 1670 | 6.04 (0.56) | 10.15 (0.94) |
| 1676 | 6.50 (0.60) | 10.88 (1.01) |
| 1680 | 6.97 (0.65) | 11.61 (1.08) |
| 2010 | 0.63 (0.06) | 1.88 (0.17) |
| 2016 | 1.35 (0.13) | 2.86 (0.27) |
| 2020 | 2.07 (0.19) | 3.84 (0.36) |
| 2026 | 2.79 (0.26) | 4.81 (0.45) |
| 2030 | 3.50 (0.33) | 5.79 (0.54) |
| 2036 | 4.22 (0.39) | 6.77 (0.63) |
| 2040 | 4.94 (0.46) | 7.75 (0.72) |
| 2046 | 5.66 (0.53) | 8.73 (0.81) |
| 2050 | 6.38 (0.59) | 9.71 (0.90) |
| 2056 | 7.10 (0.66) | 10.69 (0.99) |
| 2060 | 7.82 (0.73) | 11.67 (1.08) |
| 2066 | 8.54 (0.79) | 12.65 (1.17) |
| 2070 | 9.25 (0.86) | 13.63 (1.27) |
| 2076 | 9.97 (0.93) | 14.61 (1.36) |
| 2080 | 10.69 (0.99) | 15.59 (1.45) |
| 2610 | 0.85 (0.08) | 2.36 (0.22) |

| Window Number | Glass Area Sq. Ft./ (m ²) | Overall Window Area Sq. Ft./ (m ²) |
|---------------|--|---|
| 2616 | 1.82 (0.17) | 3.59 (0.33) |
| 2620 | 2.79 (0.26) | 4.81 (0.45) |
| 2626 | 3.75 (0.35) | 6.04 (0.56) |
| 2630 | 4.72 (0.44) | 7.27 (0.68) |
| 2636 | 5.69 (0.53) | 8.50 (0.79) |
| 2640 | 6.66 (0.62) | 9.73 (0.90) |
| 2646 | 7.63 (0.71) | 10.96 (1.02) |
| 2650 | 8.60 (0.80) | 12.19 (1.13) |
| 2656 | 9.57 (0.89) | 13.42 (1.25) |
| 2660 | 10.54 (0.98) | 14.65 (1.36) |
| 2666 | 11.50 (1.07) | 15.88 (1.47) |
| 2670 | 12.47 (1.16) | 17.11 (1.59) |
| 2676 | 13.44 (1.25) | 18.34 (1.70) |
| 2680 | 14.41 (1.34) | 19.56 (1.82) |
| 3010 | 1.07 (0.10) | 2.84 (0.26) |
| 3016 | 2.29 (0.21) | 4.31 (0.40) |
| 3020 | 3.50 (0.33) | 5.79 (0.54) |
| 3026 | 4.72 (0.44) | 7.27 (0.68) |
| 3030 | 5.94 (0.55) | 8.75 (0.81) |
| 3036 | 7.16 (0.67) | 10.23 (0.95) |
| 3040 | 8.38 (0.78) | 11.71 (1.09) |

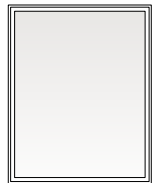
• Dimensions in parentheses are in square meters.

continued on next page

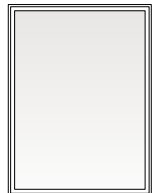
Picture and transom sizes on pages 66-71.



6070



6076



6080

Custom-size windows are available in 1/8" (3) increments. See page 90 for custom sizes and specifications.

Details shown on pages 81-82. Grille patterns shown on page 77.

• "Window Dimension" always refers to outside frame-to-frame dimension.
 • "Minimum Rough Opening" dimensions may need to be increased to allow for use of building wraps, flashing, sill panning, brackets, fasteners or other items. See page 110 for more details.
 • Dimensions in parentheses are in millimeters.

Picture and Single Transom Window Area Specifications *(continued)*

| Window Number | Glass Area Sq. Ft./ (m ²) | Overall Window Area Sq. Ft./ (m ²) |
|---------------|--|---|
| 3046 | 9.60 (0.89) | 13.19 (1.23) |
| 3050 | 10.82 (1.00) | 14.67 (1.36) |
| 3056 | 12.04 (1.12) | 16.15 (1.50) |
| 3060 | 13.25 (1.23) | 17.63 (1.64) |
| 3066 | 14.47 (1.34) | 19.11 (1.77) |
| 3070 | 15.69 (1.46) | 20.59 (1.91) |
| 3076 | 16.91 (1.57) | 22.06 (2.05) |
| 3080 | 18.13 (1.68) | 23.54 (2.19) |
| 3610 | 1.29 (0.12) | 3.31 (0.31) |
| 3616 | 2.75 (0.26) | 5.04 (0.47) |
| 3620 | 4.22 (0.39) | 6.77 (0.63) |
| 3626 | 5.69 (0.53) | 8.50 (0.79) |
| 3630 | 7.16 (0.67) | 10.23 (0.95) |
| 3636 | 8.63 (0.80) | 11.96 (1.11) |
| 3640 | 10.10 (0.94) | 13.69 (1.27) |
| 3646 | 11.57 (1.07) | 15.42 (1.43) |
| 3650 | 13.04 (1.21) | 17.15 (1.59) |
| 3656 | 14.50 (1.35) | 18.88 (1.75) |
| 3660 | 15.97 (1.48) | 20.61 (1.91) |
| 3666 | 17.44 (1.62) | 22.34 (2.07) |
| 3670 | 18.91 (1.76) | 24.06 (2.24) |
| 3676 | 20.38 (1.89) | 25.79 (2.40) |
| 3680 | 21.85 (2.03) | 27.52 (2.56) |

| Window Number | Glass Area Sq. Ft./ (m ²) | Overall Window Area Sq. Ft./ (m ²) |
|---------------|--|---|
| 4010 | 1.50 (0.14) | 3.79 (0.35) |
| 4016 | 3.22 (0.30) | 5.77 (0.54) |
| 4020 | 4.94 (0.46) | 7.75 (0.72) |
| 4026 | 6.66 (0.62) | 9.73 (0.90) |
| 4030 | 8.38 (0.78) | 11.71 (1.09) |
| 4036 | 10.10 (0.94) | 13.69 (1.27) |
| 4040 | 11.82 (1.10) | 15.67 (1.46) |
| 4046 | 13.54 (1.26) | 17.65 (1.64) |
| 4050 | 15.25 (1.42) | 19.63 (1.82) |
| 4056 | 16.97 (1.58) | 21.61 (2.01) |
| 4060 | 18.69 (1.74) | 23.59 (2.19) |
| 4066 | 20.41 (1.90) | 25.56 (2.37) |
| 4070 | 22.13 (2.06) | 27.54 (2.56) |
| 4076 | 23.85 (2.22) | 29.52 (2.74) |
| 4080 | 25.57 (2.38) | 31.50 (2.93) |
| 4610 | 1.72 (0.16) | 4.27 (0.40) |
| 4616 | 3.69 (0.34) | 6.50 (0.60) |
| 4620 | 5.66 (0.53) | 8.73 (0.81) |
| 4626 | 7.63 (0.71) | 10.96 (1.02) |
| 4630 | 9.60 (0.89) | 13.19 (1.23) |
| 4636 | 11.57 (1.07) | 15.42 (1.43) |
| 4640 | 13.54 (1.26) | 17.65 (1.64) |
| 4646 | 15.50 (1.44) | 19.88 (1.85) |
| 4650 | 17.47 (1.62) | 22.11 (2.05) |
| 4656 | 19.44 (1.81) | 24.34 (2.26) |
| 4660 | 21.41 (1.99) | 26.56 (2.47) |
| 4666 | 23.38 (2.17) | 28.79 (2.67) |
| 4670 | 25.35 (2.35) | 31.02 (2.88) |
| 4676 | 27.32 (2.54) | 33.25 (3.09) |
| 4680 | 29.29 (2.72) | 35.48 (3.30) |
| 5010 | 1.94 (0.18) | 4.75 (0.44) |
| 5016 | 4.16 (0.39) | 7.23 (0.67) |
| 5020 | 6.38 (0.59) | 9.71 (0.90) |
| 5026 | 8.60 (0.80) | 12.19 (1.13) |
| 5030 | 10.82 (1.00) | 14.67 (1.36) |
| 5036 | 13.04 (1.21) | 17.15 (1.59) |
| 5040 | 15.25 (1.42) | 19.63 (1.82) |
| 5046 | 17.47 (1.62) | 22.11 (2.05) |
| 5050 | 19.69 (1.83) | 24.59 (2.28) |
| 5056 | 21.91 (2.04) | 27.06 (2.51) |
| 5060 | 24.13 (2.24) | 29.54 (2.74) |
| 5066 | 26.35 (2.45) | 32.02 (2.97) |
| 5070 | 28.57 (2.65) | 34.50 (3.21) |
| 5076 | 30.79 (2.86) | 36.98 (3.44) |
| 5080 | 33.00 (3.07) | 39.46 (3.67) |
| 5610 | 2.16 (0.20) | 5.23 (0.49) |
| 5616 | 4.63 (0.43) | 7.96 (0.74) |
| 5620 | 7.10 (0.66) | 10.69 (0.99) |
| 5626 | 9.57 (0.89) | 13.42 (1.25) |
| 5630 | 12.04 (1.12) | 16.15 (1.50) |
| 5636 | 14.50 (1.35) | 18.88 (1.75) |
| 5640 | 16.97 (1.58) | 21.61 (2.01) |
| 5646 | 19.44 (1.81) | 24.34 (2.26) |
| 5650 | 21.91 (2.04) | 27.06 (2.51) |
| 5656 | 24.38 (2.26) | 29.79 (2.77) |
| 5660 | 26.85 (2.49) | 32.52 (3.02) |
| 5666 | 29.32 (2.72) | 35.25 (3.27) |
| 5670 | 31.79 (2.95) | 37.98 (3.53) |
| 5676 | 34.25 (3.18) | 40.71 (3.78) |
| 5680 | 36.72 (3.41) | 43.44 (4.04) |

| Window Number | Glass Area Sq. Ft./ (m ²) | Overall Window Area Sq. Ft./ (m ²) |
|---------------|--|---|
| 6010 | 2.38 (0.22) | 5.71 (0.53) |
| 6016 | 5.10 (0.47) | 8.69 (0.81) |
| 6020 | 7.82 (0.73) | 11.67 (1.08) |
| 6026 | 10.54 (0.98) | 14.65 (1.36) |
| 6030 | 13.25 (1.23) | 17.63 (1.64) |
| 6036 | 15.97 (1.48) | 20.61 (1.91) |
| 6040 | 18.69 (1.74) | 23.59 (2.19) |
| 6046 | 21.41 (1.99) | 26.56 (2.47) |
| 6050 | 24.13 (2.24) | 29.54 (2.74) |
| 6056 | 26.85 (2.49) | 32.52 (3.02) |
| 6060 | 29.57 (2.75) | 35.50 (3.30) |
| 6066 | 32.29 (3.00) | 38.48 (3.57) |
| 6070 | 35.00 (3.25) | 41.46 (3.85) |
| 6076 | 37.72 (3.50) | 44.44 (4.13) |
| 6080 | 40.44 (3.76) | 47.42 (4.41) |
| 6610 | 2.60 (0.24) | 6.19 (0.57) |
| 6616 | 5.57 (0.52) | 9.42 (0.87) |
| 6620 | 8.54 (0.79) | 12.65 (1.17) |
| 6626 | 11.50 (1.07) | 15.88 (1.47) |
| 6630 | 14.47 (1.34) | 19.11 (1.77) |
| 6636 | 17.44 (1.62) | 22.34 (2.07) |
| 6640 | 20.41 (1.90) | 25.56 (2.37) |
| 6646 | 23.38 (2.17) | 28.79 (2.67) |
| 6650 | 26.35 (2.45) | 32.02 (2.97) |
| 6656 | 29.32 (2.72) | 35.25 (3.27) |
| 6660 | 32.29 (3.00) | 38.48 (3.57) |
| 7010 | 2.82 (0.26) | 6.67 (0.62) |
| 7016 | 6.04 (0.56) | 10.15 (0.94) |
| 7020 | 9.25 (0.86) | 13.63 (1.27) |
| 7026 | 12.47 (1.16) | 17.11 (1.59) |
| 7030 | 15.69 (1.46) | 20.59 (1.91) |
| 7036 | 18.91 (1.76) | 24.06 (2.24) |
| 7040 | 22.13 (2.06) | 27.54 (2.56) |
| 7046 | 25.35 (2.35) | 31.02 (2.88) |
| 7050 | 28.57 (2.65) | 34.50 (3.21) |
| 7056 | 31.79 (2.95) | 37.98 (3.53) |
| 7060 | 35.00 (3.25) | 41.46 (3.85) |
| 7610 | 3.04 (0.28) | 7.15 (0.66) |
| 7616 | 6.50 (0.60) | 10.88 (1.01) |
| 7620 | 9.97 (0.93) | 14.61 (1.36) |
| 7626 | 13.44 (1.25) | 18.34 (1.70) |
| 7630 | 16.91 (1.57) | 22.06 (2.05) |
| 7636 | 20.38 (1.89) | 25.79 (2.40) |
| 7640 | 23.85 (2.22) | 29.52 (2.74) |
| 7646 | 27.32 (2.54) | 33.25 (3.09) |
| 7650 | 30.79 (2.86) | 36.98 (3.44) |
| 7656 | 34.25 (3.18) | 40.71 (3.78) |
| 7660 | 37.72 (3.50) | 44.44 (4.13) |
| 8010 | 3.25 (0.30) | 7.63 (0.71) |
| 8016 | 6.97 (0.65) | 11.61 (1.08) |
| 8020 | 10.69 (0.99) | 15.59 (1.45) |
| 8026 | 14.41 (1.34) | 19.56 (1.82) |
| 8030 | 18.13 (1.68) | 23.54 (2.19) |
| 8036 | 21.85 (2.03) | 27.52 (2.56) |
| 8040 | 25.57 (2.38) | 31.50 (2.93) |
| 8046 | 29.29 (2.72) | 35.48 (3.30) |
| 8050 | 33.00 (3.07) | 39.46 (3.67) |
| 8056 | 36.72 (3.41) | 43.44 (4.04) |
| 8060 | 40.44 (3.76) | 47.42 (4.41) |

• Dimensions in parentheses are in square meters.

100 Series Picture, Transom & Specialty Windows

PICTURE, TRANSOM & SPECIALTY WINDOWS

Table of Twin and Triple Transom Window Sizes

Scale 1/8" (3) = 1'-0" (305) – 1:96

Notes on next page also apply to this page.

| Window Dimension | 2'-11 1/2" | 3'-5 1/2" | 3'-11 1/2" | 4'-5 1/2" | 4'-11 1/2" | 5'-5 1/2" | 5'-11 1/2" | 6'-11 1/2" |
|--|------------|-----------|------------|-----------|------------|-----------|------------|------------|
| | (902) | (1054) | (1207) | (1359) | (1511) | (1664) | (1816) | (2121) |
| Minimum Rough Opening | 3'-0" | 3'-6" | 4'-0" | 4'-6" | 5'-0" | 5'-6" | 6'-0" | 7'-0" |
| | (914) | (1067) | (1219) | (1372) | (1524) | (1676) | (1829) | (2134) |
| Unobstructed Glass (width of twin single sash) | 11 1/4" | 14 1/4" | 17 1/4" | 20 1/4" | 23 1/4" | 26 1/4" | 29 1/4" | 35 1/4" |
| | (286) | (362) | (438) | (514) | (591) | (667) | (743) | (895) |
| Unobstructed Glass (width of triple single sash) | | | | 11 1/4" | | | 17 1/4" | |
| | | | | (286) | | | (438) | |

CUSTOM WIDTHS TWIN – 35 1/2" to 95 1/2" TRIPLE – 53 1/2" to 143 1/2"

CUSTOM HEIGHTS – 11 1/2" to 23 1/2"

| Window Number | Window Number | Window Number | Window Number | Window Number | Window Number | Window Number | Window Number |
|---------------|---------------|---------------|---------------|---------------|---------------|---------------|---------------|
| 1610-2 | 1910-2 | 2010-2 | 2310-2 | 2610-2 | 2910-2 | 3010-2 | 3610-2 |
| | | | 1610-3 | | | 2010-3 | |
| 1616-2 | 1916-2 | 2016-2 | 2316-2 | 2616-2 | 2916-2 | 3016-2 | 3616-2 |
| | | | 1616-3 | | | 2016-3 | |
| 1620-2 | 1920-2 | 2020-2 | 2320-2 | 2620-2 | 2920-2 | 3020-2 | 3620-2 |
| | | | 1620-3 | | | 2020-3 | |

- * "Window Dimension" always refers to outside frame-to-frame dimension.
- * "Minimum Rough Opening" dimensions may need to be increased to allow for use of building wraps, flashing, sill panning, brackets, fasteners or other items. See page 110 for more details.
- * Dimensions in parentheses are in millimeters.

Twin Transom Window Area Specifications

| Window Number | Glass Area Sq. Ft./ (m ²) | Overall Window Area Sq. Ft./ (m ²) |
|---------------|---------------------------------------|--|
| 1610-2 | 1.02 (0.08) | 2.84 (0.26) |
| 1910-2 | 0.84 (0.10) | 3.31 (0.31) |
| 2010-2 | 1.26 (0.12) | 3.79 (0.35) |
| 2310-2 | 1.48 (0.14) | 4.27 (0.40) |
| 2610-2 | 1.70 (0.16) | 4.75 (0.44) |
| 2910-2 | 1.91 (0.18) | 5.23 (0.49) |
| 3010-2 | 2.13 (0.20) | 5.71 (0.53) |
| 3610-2 | 2.57 (0.24) | 6.67 (0.62) |
| 4010-2 | 3.01 (0.28) | 7.63 (0.71) |
| 1616-2 | 1.76 (0.16) | 4.31 (0.40) |
| 1916-2 | 2.23 (0.21) | 5.04 (0.47) |
| 2016-2 | 2.70 (0.25) | 5.77 (0.54) |
| 2316-2 | 3.16 (0.29) | 6.50 (0.60) |
| 2616-2 | 3.63 (0.34) | 7.23 (0.67) |
| 2916-2 | 4.10 (0.38) | 7.96 (0.74) |
| 3016-2 | 4.57 (0.42) | 8.69 (0.81) |
| 3616-2 | 5.51 (0.51) | 10.15 (0.94) |
| 4016-2 | 6.45 (0.60) | 11.61 (1.08) |
| 1620-2 | 2.70 (0.25) | 5.79 (0.54) |
| 1920-2 | 3.41 (0.32) | 6.77 (0.63) |
| 2020-2 | 4.13 (0.38) | 7.75 (0.72) |
| 2320-2 | 4.85 (0.45) | 8.73 (0.81) |
| 2620-2 | 5.57 (0.52) | 9.71 (0.90) |
| 2920-2 | 6.29 (0.58) | 10.69 (0.99) |
| 3020-2 | 7.01 (0.65) | 11.67 (1.08) |
| 3620-2 | 8.45 (0.78) | 13.63 (1.27) |
| 4020-2 | 9.88 (0.92) | 15.59 (1.45) |

* Dimensions in parentheses are in square meters.

Triple Transom Window Area Specifications

| Window Number | Glass Area Sq. Ft./ (m ²) | Overall Window Area Sq. Ft./ (m ²) |
|---------------|---------------------------------------|--|
| 1610-3 | 1.23 (0.11) | 4.27 (0.40) |
| 2010-3 | 1.89 (0.18) | 5.71 (0.53) |
| 2610-3 | 2.54 (0.24) | 7.15 (0.66) |
| 3010-3 | 3.20 (0.30) | 8.59 (0.80) |
| 3610-3 | 3.86 (0.36) | 10.02 (0.93) |
| 4010-3 | 4.51 (0.42) | 11.46 (1.06) |
| 1616-3 | 2.64 (0.24) | 6.50 (0.60) |
| 2016-3 | 4.04 (0.38) | 8.69 (0.81) |
| 2616-3 | 5.45 (0.51) | 10.88 (1.01) |
| 3016-3 | 6.86 (0.64) | 13.06 (1.21) |
| 3616-3 | 8.26 (0.77) | 15.25 (1.42) |
| 4016-3 | 9.67 (0.90) | 17.44 (1.62) |
| 1620-3 | 4.04 (0.38) | 8.73 (0.81) |
| 2020-3 | 6.20 (0.58) | 11.67 (1.08) |
| 2620-3 | 8.36 (0.78) | 14.61 (1.36) |
| 3020-3 | 10.51 (0.98) | 17.54 (1.63) |
| 3620-3 | 12.67 (1.18) | 20.48 (1.90) |
| 4020-3 | 14.82 (1.38) | 23.42 (2.18) |

* Dimensions in parentheses are in square meters.

Half Circle Window Area Specifications

| Window Number | Glass Area Sq. Ft./ (m ²) | Overall Window Area Sq. Ft./ (m ²) |
|---------------|---------------------------------------|--|
| 20 | 0.80 (0.07) | 2.02 (0.19) |
| 26 | 1.46 (0.14) | 3.01 (0.28) |
| 30 | 2.32 (0.22) | 4.21 (0.39) |
| 36 | 3.37 (0.31) | 5.60 (0.52) |
| 40 | 4.62 (0.43) | 7.18 (0.67) |
| 46 | 6.06 (0.56) | 8.97 (0.83) |
| 50 | 7.70 (0.72) | 10.95 (1.02) |
| 56 | 9.54 (0.89) | 13.12 (1.22) |
| 60 | 11.58 (1.08) | 15.49 (1.44) |
| 66 | 13.81 (1.28) | 18.06 (1.68) |
| 70 | 16.23 (1.51) | 20.83 (1.93) |
| 76 | 18.85 (1.75) | 23.79 (2.21) |
| 80 | 21.67 (2.01) | 26.94 (2.50) |

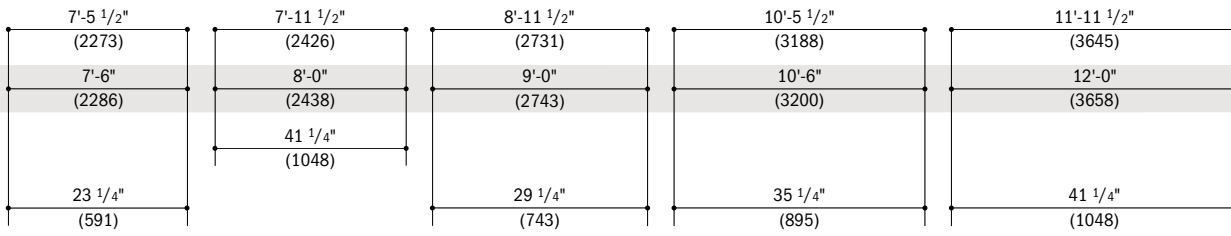
* Dimensions in parentheses are in square meters.

Circle Window Area Specifications

| Window Number | Glass Area Sq. Ft./ (m ²) | Overall Window Area Sq. Ft./ (m ²) |
|---------------|---------------------------------------|--|
| 2020 | 1.61 (0.15) | 3.01 (0.28) |
| 2626 | 2.93 (0.27) | 4.75 (0.44) |
| 3030 | 4.65 (0.43) | 6.87 (0.64) |
| 3636 | 6.75 (0.63) | 9.39 (0.87) |
| 4040 | 9.25 (0.86) | 12.31 (1.14) |

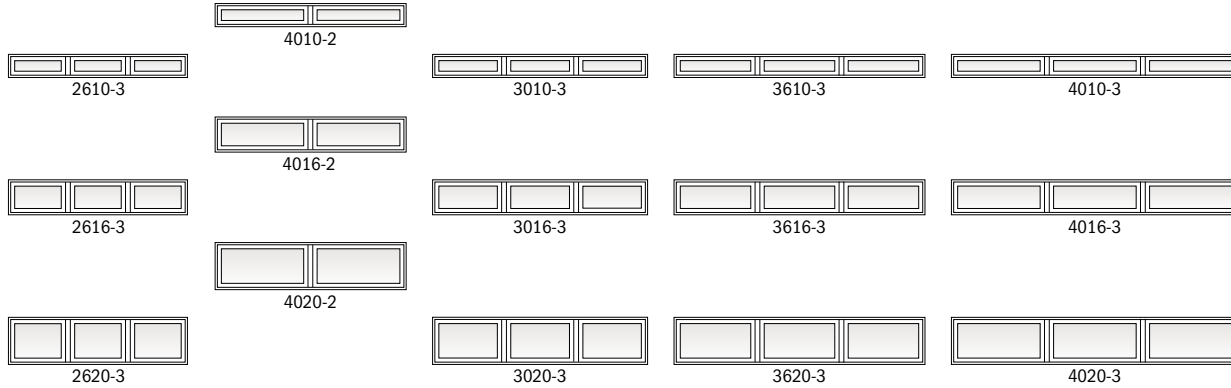
* Dimensions in parentheses are in square meters.

Picture and transom sizes on pages 66-71.



Custom-size windows are available in 1/8" (3) increments. See page 90 for custom sizes and specifications.

Windows have one continuous outer frame. Details shown on pages 82-83.



- "Window Dimension" always refers to outside frame-to-frame dimension.
- "Minimum Rough Opening" dimensions may need to be increased to allow for use of building wraps, flashing, sill panning, brackets, fasteners or other items. See page 110 for more details.
- Dimensions in parentheses are in millimeters.

Quarter Circle Window Area Specifications

| Window Number | Glass Area Sq. Ft./ (m ²) | Overall Window Area Sq. Ft./ (m ²) |
|---------------|---------------------------------------|--|
| 1616 | 0.69 (0.06) | 1.82 (0.17) |
| 2020 | 1.62 (0.15) | 3.22 (0.30) |
| 2626 | 2.95 (0.27) | 5.01 (0.47) |
| 3030 | 4.67 (0.43) | 7.19 (0.67) |
| 3636 | 6.78 (0.63) | 9.77 (0.91) |
| 4040 | 9.28 (0.86) | 12.73 (1.18) |
| 4646 | 12.18 (1.13) | 16.09 (1.50) |
| 5050 | 15.47 (1.44) | 19.85 (1.84) |

• Dimensions in parentheses are in square meters.

Springline™ Window Area Specifications

| Window Number | Glass Area Sq. Ft./ (m ²) | Overall Window Area Sq. Ft./ (m ²) |
|---------------|---------------------------------------|--|
| 2020 | 3.23 (0.30) | 5.34 (0.50) |
| 2026 | 3.95 (0.37) | 6.32 (0.59) |
| 2030 | 4.67 (0.43) | 7.30 (0.68) |
| 2036 | 5.38 (0.50) | 8.28 (0.77) |
| 2040 | 6.10 (0.57) | 9.26 (0.86) |
| 2046 | 6.81 (0.63) | 10.24 (0.95) |
| 2050 | 7.53 (0.70) | 11.22 (1.04) |
| 2620 | 4.74 (0.44) | 7.19 (0.67) |
| 2626 | 5.71 (0.53) | 8.42 (0.78) |
| 2630 | 6.67 (0.62) | 9.65 (0.90) |
| 2636 | 7.64 (0.71) | 10.87 (1.01) |
| 2640 | 8.61 (0.80) | 12.10 (1.12) |
| 2646 | 9.57 (0.89) | 13.33 (1.24) |

| Window Number | Glass Area Sq. Ft./ (m ²) | Overall Window Area Sq. Ft./ (m ²) |
|---------------|---------------------------------------|--|
| 2650 | 10.54 (0.98) | 14.56 (1.35) |
| 3020 | 6.45 (0.60) | 9.23 (0.86) |
| 3026 | 7.66 (0.71) | 10.71 (0.99) |
| 3030 | 8.88 (0.82) | 12.19 (1.13) |
| 3036 | 10.10 (0.94) | 13.67 (1.27) |
| 3040 | 11.31 (1.05) | 15.15 (1.41) |
| 3046 | 12.53 (1.16) | 16.63 (1.54) |
| 3050 | 13.74 (1.28) | 18.11 (1.68) |
| 3620 | 8.35 (0.78) | 11.47 (1.07) |
| 3626 | 9.81 (0.91) | 13.20 (1.23) |
| 3630 | 11.28 (1.05) | 14.93 (1.39) |
| 3636 | 12.75 (1.18) | 16.66 (1.55) |
| 3640 | 14.21 (1.32) | 18.39 (1.71) |
| 3646 | 15.68 (1.46) | 20.12 (1.87) |
| 3650 | 17.14 (1.59) | 21.84 (2.03) |
| 4020 | 10.45 (0.97) | 13.90 (1.29) |
| 4026 | 12.16 (1.13) | 15.88 (1.48) |
| 4030 | 13.88 (1.29) | 17.86 (1.66) |
| 4036 | 15.59 (1.45) | 19.84 (1.84) |
| 4040 | 17.31 (1.61) | 21.82 (2.03) |
| 4046 | 19.03 (1.77) | 23.80 (2.21) |
| 4050 | 20.74 (1.93) | 25.78 (2.40) |
| 4620 | 12.74 (1.18) | 16.54 (1.54) |
| 4626 | 14.71 (1.37) | 18.77 (1.74) |
| 4630 | 16.67 (1.55) | 20.99 (1.95) |
| 4636 | 18.64 (1.73) | 23.22 (2.16) |
| 4640 | 20.60 (1.91) | 25.45 (2.36) |
| 4646 | 22.57 (2.10) | 27.68 (2.57) |

| Window Number | Glass Area Sq. Ft./ (m ²) | Overall Window Area Sq. Ft./ (m ²) |
|---------------|---------------------------------------|--|
| 4650 | 24.54 (2.28) | 29.91 (2.78) |
| 5020 | 15.23 (1.41) | 19.36 (1.80) |
| 5026 | 17.45 (1.62) | 21.84 (2.03) |
| 5030 | 19.66 (1.83) | 24.32 (2.26) |
| 5036 | 21.88 (2.03) | 26.80 (2.49) |
| 5040 | 24.09 (2.24) | 29.28 (2.72) |
| 5046 | 26.31 (2.44) | 31.76 (2.95) |
| 5050 | 28.53 (2.65) | 34.24 (3.18) |
| 5620 | 17.92 (1.66) | 22.39 (2.08) |
| 5626 | 20.38 (1.89) | 25.12 (2.33) |
| 5630 | 22.85 (2.12) | 27.85 (2.59) |
| 5636 | 25.31 (2.35) | 30.58 (2.84) |
| 5640 | 27.78 (2.58) | 33.31 (3.09) |
| 5646 | 30.25 (2.81) | 36.03 (3.35) |
| 5650 | 32.71 (3.04) | 38.76 (3.60) |
| 6020 | 20.80 (1.93) | 25.61 (2.38) |
| 6026 | 23.51 (2.18) | 28.59 (2.66) |
| 6030 | 26.23 (2.44) | 31.57 (2.93) |
| 6036 | 28.95 (2.69) | 34.55 (3.21) |
| 6040 | 31.66 (2.94) | 37.53 (3.49) |
| 6046 | 34.38 (3.19) | 40.51 (3.76) |
| 6050 | 37.10 (3.45) | 43.48 (4.04) |

• Dimensions in parentheses are in square meters.

PICTURE, TRANSOM & SPECIALTY WINDOWS

Table of Half Circle Window Sizes

Scale 1/8" (3) = 1'-0" (305) – 1:96

| Window Dimension | 1'-11 1/2" (597) | 2'-5 1/2" (749) | 2'-11 1/2" (902) |
|------------------------------|----------------------|----------------------|---------------------|
| Minimum Rough Opening | 2'-0" (610) | 2'-6" (762) | 3'-0" (914) |
| Unobstructed Glass | 17 1/4" (438) | 23 1/4" (591) | 29 1/4" (743) |
| Radius | 11 3/4" (298) | 14 3/4" (375) | 17 3/4" (451) |
| 1'-2 7/8" (378) | 1'-3 3/8" (391) | 1'-5 7/8" (454) | 1'-8 7/8" (530) |
| 8 5/8" (219) | 11 5/8" (295) | 14 5/8" (371) | 17 3/8" (437) |
| 20 | 26 | 30 | |
| 3'-5 1/2" (1054) | 3'-11 1/2" (1207) | 4'-5 1/2" (1359) | |
| 3'-6" (1067) | 4'-0" (1219) | 4'-6" (1372) | |
| 35 1/4" (895) | 41 1/4" (1048) | 47 1/4" (1200) | |
| 20 3/4" (527) | 23 3/4" (603) | 26 3/4" (679) | |
| 1'-11 7/8" (606) | 2'-2 7/8" (683) | 2'-5 7/8" (759) | 2'-8 7/8" (835) |
| 2'-0 3/8" (619) | 2'-3 3/8" (695) | 2'-6 3/8" (772) | 2'-9 3/8" (848) |
| 17 5/8" (448) | 20 5/8" (524) | 23 5/8" (600) | 26 5/8" (676) |
| 36 | 40 | 46 | |
| 4'-11 1/2" (1511) | 5'-5 1/2" (1664) | 5'-11 1/2" (1816) | 6'-5 1/2" (1969) |
| 5'-0" (1524) | 5'-6" (1676) | 6'-0" (1829) | 6'-6" (1981) |
| 53 1/4" (1353) | 59 1/4" (1505) | 65 1/4" (1657) | 71 1/4" (1810) |
| 29 3/4" (756) | 32 3/4" (832) | 35 3/4" (908) | 38 3/4" (984) |
| 2'-8 7/8" (835) | 2'-11 7/8" (911) | 3'-2 7/8" (987) | 3'-5 7/8" (1064) |
| 2'-9 3/8" (848) | 3'-0 3/8" (924) | 3'-3 3/8" (1000) | 3'-6 3/8" (1076) |
| 26 5/8" (676) | 29 5/8" (752) | 32 5/8" (829) | 35 5/8" (905) |
| 50 | 56 | 60 | 66 |
| 6'-11 1/2" (2121) | 7'-5 1/2" (2273) | 7'-11 1/2" (2426) | |
| 7'-0" (2134) | 7'-6" (2286) | 8'-0" (2438) | |
| 77 1/4" (1962) | 83 1/4" (2115) | 89 1/4" (2267) | |
| 41 3/4" (1060) | 44 3/4" (1137) | 47 3/4" (1213) | |
| 3'-8 7/8" (1140) | 3'-11 7/8" (1216) | 4'-2 7/8" (1292) | 4'-5 7/8" (1368) |
| 3'-9 3/8" (1153) | 4'-0 3/8" (1229) | 4'-3 3/8" (1305) | 4'-6 3/8" (1381) |
| 38 5/8" (981) | 41 5/8" (1057) | 44 5/8" (1133) | 47 5/8" (1209) |
| 70 | 76 | 80 | |



Custom-size half circle windows are available in 1/8" (3) increments. Contact your Andersen supplier for more information.

Details shown on pages 81-82.
Grille patterns shown on page 77.

* "Window Dimension" always refers to outside frame-to-frame dimension.
 • "Minimum Rough Opening" dimensions may need to be increased to allow for use of building wraps, flashing, sill panning, brackets, fasteners or other items. See page 110 for more details.
 • Dimensions in parentheses are in millimeters.

Table of Quarter Circle Window Sizes

Scale 1/8" (3) = 1'-0" (305) – 1:96

| Window Dimension | 1'-5 1/2" (445) | 1'-11 1/2" (597) | 2'-5 1/2" (749) | 2'-11 1/2" (902) |
|------------------------------|--------------------|---------------------|--------------------|---------------------|
| Minimum Rough Opening | 1'-6" (457) | 2'-0" (610) | 2'-6" (762) | 3'-0" (914) |
| Unobstructed Glass | 5 1/4" (133) | 17 1/2" (438) | 23 1/4" (591) | 29 1/4" (743) |
| Radius | 14 3/8" (365) | 20 3/8" (518) | 26 3/8" (670) | 32 3/8" (822) |

| | | | | |
|----------------------|-----------------|-------------------|--|------|
| 1'-5 1/2" (445) | 1'-6" (457) | 5 1/4" (133) | | 1616 |
| 1'-11 1/2" (597) | 2'-0" (610) | 17 1/2" (438) | | 2020 |
| 2'-5 1/2" (749) | 2'-6" (762) | 23 1/4" (591) | | 2626 |
| 2'-11 1/2" (902) | 3'-0" (914) | 29 1/4" (743) | | 3030 |
| 3'-5 1/2" (1054) | 3'-6" (1067) | 35 1/4" (895) | | 3636 |
| 3'-11 1/2" (1207) | 4'-0" (1219) | 41 1/4" (1048) | | 4040 |
| 4'-5 1/2" (1359) | 4'-6" (1372) | 47 1/4" (1200) | | 4646 |
| 4'-11 1/2" (1511) | 5'-0" (1524) | 53 1/4" (1353) | | 5050 |


Custom-size quarter circle windows are available in 1/8" (3) increments.

Contact your Andersen supplier for more information.

Details shown on pages 81-82. Grille patterns shown on page 77.

Table of Circle Window Sizes

Scale 1/8" (3) = 1'-0" (305) – 1:96

| | | | | | |
|------------------------------|---------------------|--------------------|---------------------|---------------------|----------------------|
| Window Dimension | 1'-11 1/2" (597) | 2'-5 1/2" (749) | 2'-11 1/2" (902) | 3'-5 1/2" (1054) | 3'-11 1/2" (1207) |
| Minimum Rough Opening | 2'-0" (610) | 2'-6" (762) | 3'-0" (914) | 3'-6" (1067) | 4'-0" (1219) |
| Unobstructed Glass | 17 1/4" (438) | 23 1/4" (591) | 29 1/4" (743) | 35 1/4" (895) | 41 1/4" (1048) |

| | | | | |
|------|------|------|------|------|
| | | | | |
| 2020 | 2626 | 3030 | 3636 | 4040 |


Custom-size circle windows are available in 1/8" (3) increments. Contact your Andersen supplier for more information.

Details shown on pages 81-82.

Grille patterns shown on page 77.

• "Window Dimension" always refers to outside frame-to-frame dimension.
 • "Minimum Rough Opening" dimensions may need to be increased to allow for use of building wraps, flashing, sill panning, brackets, fasteners or other items. See page 110 for more details.
 • Dimensions in parentheses are in millimeters.

PICTURE, TRANSOM & SPECIALTY WINDOWS



These custom shapes are available in 1/8" (3) increments.

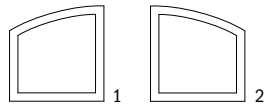
Design Criteria

Listed for each custom shape are factors that must be considered when deciding on a custom-shaped specialty window.

Details shown on pages 81-82.

Grilles are available for most shapes and sizes in colonial and specified equal divided light patterns. For more information on divided light, see page 13 or contact your Andersen supplier.

Custom Unequal Leg Arch



Choose left facing (1) or right facing (2) as viewed from the exterior. Contains unequal legs, two right angles at the sill and an arch at the top.

Custom-size design limitations:

Min./Max. Window Width
17 1/2" (445) to 95 1/2" (2426)

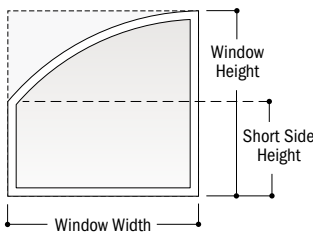
Min./Max. Window Height
11 3/8" (289) to 95 1/2" (2426)

Min./Max. Short Side Height
9 3/4" (248) to 93 7/8" (2384)

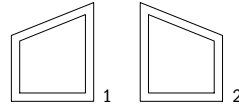
Max. Frame Area: 40 sq. ft. or 3.7 m²

Based on the smallest square or rectangular shape that covers the entire window.

Additional limitations may apply. Contact your Andersen supplier for more information.



Custom Trapezoid



Choose left facing (1) or right facing (2) as viewed from the exterior. Contains a slope to the left or right. Slope is often designed to match a roof's pitch.

Custom-size design limitations:

Min./Max. Window Width
17 1/2" (445) to 107 1/2" (2731)

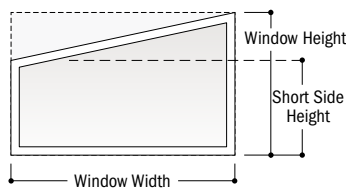
Min./Max. Window Height
9 7/8" (251) to 95 1/2" (2426)

Min./Max. Short Side Height
9 3/4" (248) to 95 3/8" (2423)

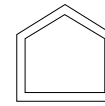
Max. Frame Area: 40 sq. ft. or 3.7 m²

Based on the smallest square or rectangular shape that covers the entire window.

Additional limitations may apply. Contact your Andersen supplier for more information.



Custom Peak Pentagon



Contains sides of equal length, extending at right angles from the sill and two angled sides of equal length that peak above the center of the sill.

Custom-size design limitations:

Min./Max. Window Width
17 1/2" (445) to 107 1/2" (2731)

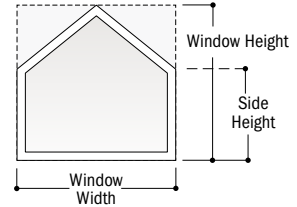
Min./Max. Window Height
14 1/8" (359) to 107 1/2" (2731)

Min./Max. Side Height
9 3/4" (248) to 94 1/8" (2391)

Max. Frame Area: 40 sq. ft. or 3.7 m²

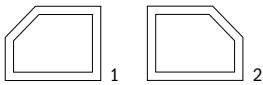
Based on the smallest square or rectangular shape that covers the entire window.

Additional limitations may apply. Contact your Andersen supplier for more information.



*Dimensions in parentheses are in millimeters.

Custom Angled Pentagon



Choose left facing (1) or right facing (2) as viewed from the exterior. Contains an angle cut, or a "clipped corner," sloping to the left or right.

Custom-size design limitations:

Min./Max. Window Width
17 1/2" (445) to 107 1/2" (2731)

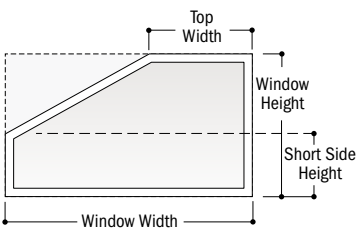
Min./Max. Top Width
9 3/4" (248) to 107 3/8" (2727)

Min./Max. Window Height
14 3/8" (365) to 107 1/2" (2731)

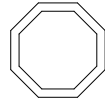
Min./Max. Short Side Height
9 3/4" (248) to 94 1/8" (226)

Max. Frame Area: 40 sq. ft. or 3.7 m²
Based on the smallest square or rectangular shape that covers the entire window.

Additional limitations may apply. Contact your Andersen supplier for more information.



Custom Octagon



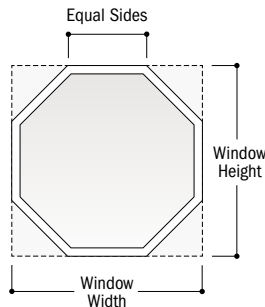
Contains eight equal angles and sides.

Custom-size design limitations:

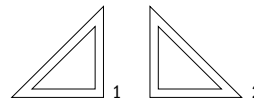
Min./Max. Window Width
23 1/2" (597) to 71 1/2" (1816)

Min./Max. Window Height
23 1/2" (597) to 71 1/2" (1816)

Additional limitations may apply. Contact your Andersen supplier for more information.



Custom Right Triangle



Choose left facing (1) or right facing (2) as viewed from the exterior. Contains one 90-degree angle.

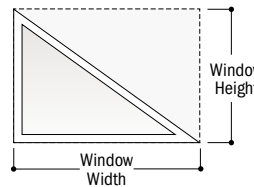
Custom-size design limitations:

Min./Max. Window Width
17 1/2" (445) to 95 1/2" (2426)

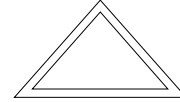
Min./Max. Window Height
17 1/2" (445) to 95 1/2" (2426)

Max. Frame Area: 40 sq. ft. or 3.7 m²
Based on the smallest square or rectangular shape that covers the entire window.

Additional limitations may apply. Contact your Andersen supplier for more information.



Custom Isosceles Triangle



Contains two sides of equal length and two equal angles.

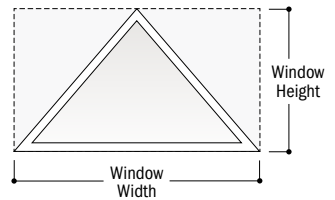
Custom-size design limitations:

Min./Max. Window Width
17 1/2" (445) to 107 1/2" (2731)

Min./Max. Window Height
17 1/2" (445) to 75 7/8" (1927)

Max. Frame Area: 40 sq. ft. or 3.7 m²
Based on the smallest square or rectangular shape that covers the entire window.

Additional limitations may apply. Contact your Andersen supplier for more information.



* Dimensions in parentheses are in millimeters.

PICTURE, TRANSOM & SPECIALTY WINDOWS

Table of Springline™ Window Sizes

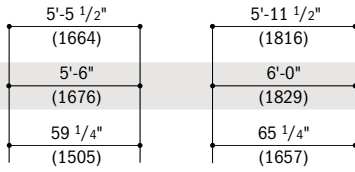
Scale 1/8" (3) = 1'-0" (305) – 1:96

Notes on next page also apply to this page.

| | | | | | | | |
|------------------------------|---------------------|--------------------|---------------------|---------------------|----------------------|---------------------|----------------------|
| Window Width Dimension | 1'-11 1/2" (597) | 2'-5 1/2" (749) | 2'-11 1/2" (902) | 3'-5 1/2" (1054) | 3'-11 1/2" (1207) | 4'-5 1/2" (1359) | 4'-11 1/2" (1511) |
| Minimum Rough Opening | 2'-0" (610) | 2'-6" (762) | 3'-0" (914) | 3'-6" (1067) | 4'-0" (1219) | 4'-6" (1372) | 5'-0" (1524) |
| Unobstructed Glass | 17 1/4" (438) | 23 1/4" (591) | 29 1/4" (743) | 35 1/4" (895) | 41 1/4" (1048) | 47 1/4" (1200) | 53 1/4" (1353) |

| Window Height Shown in Table | CUSTOM SIZES AVAILABLE | | | | | | | |
|------------------------------|------------------------|-------------------|------------------|-------------------|------------------|-------------------|------------------|-------------------|
| | Radius | 11 3/4" (298) | 14 3/4" (375) | 17 3/4" (451) | 20 3/4" (527) | 23 3/4" (603) | 26 3/4" (679) | 29 3/4" (756) |
| Chord Height | | 11 3/4" (298) | 14 3/4" (375) | 17 3/4" (451) | 20 3/4" (527) | 23 3/4" (603) | 26 3/4" (679) | 29 3/4" (756) |
| Side Height | 1'-11 1/2" (597) | 2'-11 1/4" (895) | 3'-2 1/4" (972) | 3'-5 1/4" (1048) | 3'-8 1/4" (1124) | 3'-11 1/4" (1200) | 4'-2 1/4" (1276) | 4'-5 1/4" (1353) |
| | | 2020 | 2620 | 3020 | 3620 | 4020 | 4620 | 5020 |
| | 2'-5 1/2" (749) | 3'-5 1/4" (1048) | 3'-8 1/4" (1124) | 3'-11 1/4" (1200) | 4'-2 1/4" (1276) | 4'-5 1/4" (1353) | 4'-8 1/4" (1429) | 4'-11 1/4" (1505) |
| | | 2026 | 2626 | 3026 | 3626 | 4026 | 4626 | 5026 |
| | 2'-11 1/2" (902) | 3'-11 1/4" (1200) | 4'-2 1/4" (1276) | 4'-5 1/4" (1353) | 4'-8 1/4" (1429) | 4'-11 1/4" (1505) | 5'-2 1/4" (1581) | 5'-5 1/4" (1657) |
| | | 2030 | 2630 | 3030 | 3630 | 4030 | 4630 | 5030 |
| | 3'-5 1/2" (1054) | 4'-5 1/4" (1353) | 4'-8 1/4" (1429) | 4'-11 1/4" (1505) | 5'-2 1/4" (1581) | 5'-5 1/4" (1657) | 5'-8 1/4" (1734) | 5'-11 1/4" (1810) |
| | | 2036 | 2636 | 3036 | 3636 | 4036 | 4636 | 5036 |
| | 3'-11 1/2" (1207) | 4'-11 1/4" (1505) | 5'-2 1/4" (1581) | 5'-5 1/4" (1657) | 5'-8 1/4" (1734) | 5'-11 1/4" (1810) | 6'-2 1/4" (1886) | 6'-5 1/4" (1962) |
| | | 2040 | 2640 | 3040 | 3640 | 4040 | 4640 | 5040 |
| | 4'-5 1/2" (1359) | 5'-5 1/4" (1657) | 5'-8 1/4" (1734) | 5'-11 1/4" (1810) | 6'-2 1/4" (1886) | 6'-5 1/4" (1962) | 6'-8 1/4" (2038) | 6'-11 1/4" (2115) |
| | | 2046 | 2646 | 3046 | 3646 | 4046 | 4646 | 5046 |
| | 4'-11 1/2" (1511) | 5'-11 1/4" (1810) | 6'-2 1/4" (1886) | 6'-5 1/4" (1962) | 6'-8 1/4" (2038) | 6'-11 1/4" (2115) | 7'-2 1/4" (2191) | 7'-5 1/4" (2267) |
| | | 2050 | 2650 | 3050 | 3650 | 4050 | 4650 | 5050 |

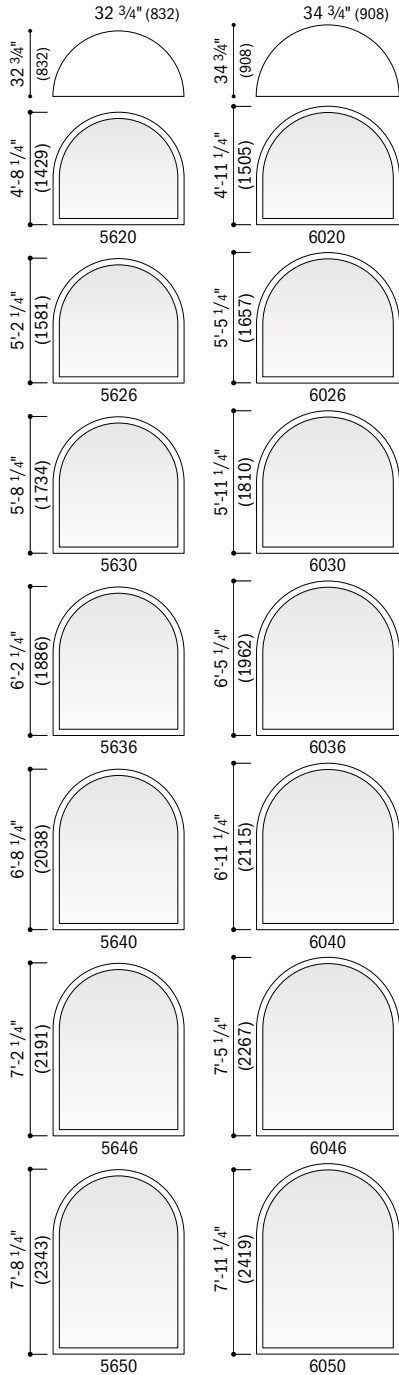
* "Window Dimension" always refers to outside frame-to-frame dimension.
 • "Minimum Rough Opening" dimensions may need to be increased to allow for use of building wraps, flashing, sill panning, brackets, fasteners or other items. See page 110 for more details.
 • Dimensions in parentheses are in millimeters.



Custom-size windows are available in 1/8" (3) increments. Contact your Andersen supplier for more information.

For Springline™ and arch windows, the size designation does not reflect overall window height. (e.g., a 2020 Springline window size has a side height of 1'-11 1/2" and an overall window height of 2'-11 1/4".)

Details shown on pages 81-82.
Grille patterns shown below.



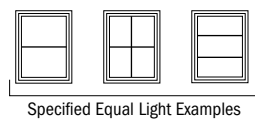
*"Window Dimension" always refers to outside frame-to-frame dimension.
 **"Minimum Rough Opening" dimensions may need to be increased to allow for use of building wraps, flashing, sill panning, brackets, fasteners or other items. See page 110 for more details.
 • Dimensions in parentheses are in millimeters.

Grille Patterns

| | Colonial | Renaissance | Sunburst |
|-----------------------|----------|-------------|----------|
| Half Circle | | | |
| Quarter Circle | | | |
| Circle | | | |
| Springline™ | | | |
| Arch | | | |

Number of lights and overall pattern varies with window size. Patterns are not available in all configurations. Specialty window patterns may not align with picture window patterns when joined. Specified equal light pattern is available for all shapes except quarter circle. For specified equal light, specify number of same-size rectangles across or down. Custom grille patterns are available for picture and transom windows. For more information on divided light, see page 13 or visit andersenwindows.com/grilles.

| | Prairie A | Colonial | Modified Colonial | Tall Fractional | Short Fractional |
|----------------|-----------|----------|-------------------|-----------------|------------------|
| Transom | | | | | |
| Picture | | | | | |



100 Series Picture, Transom & Specialty Windows

PICTURE, TRANSOM & SPECIALTY WINDOWS

Table of Arch Window Sizes

Scale 1/8" (3) = 1'-0" (305) – 1:96

Notes on page 77 also apply to this pages.

| | | | | | | | |
|------------------------------|---------------------|--------------------|---------------------|---------------------|----------------------|---------------------|----------------------|
| Window Width Dimension | 1'-11 1/2" (597) | 2'-5 1/2" (749) | 2'-11 1/2" (902) | 3'-5 1/2" (1054) | 3'-11 1/2" (1207) | 4'-5 1/2" (1359) | 4'-11 1/2" (1511) |
| Minimum Rough Opening | 2'-0" (610) | 2'-6" (762) | 3'-0" (914) | 3'-6" (1067) | 4'-0" (1219) | 4'-6" (1372) | 5'-0" (1524) |
| Unobstructed Glass | 17 1/4" (438) | 23 1/4" (591) | 29 1/4" (743) | 35 1/4" (895) | 41 1/4" (1048) | 47 1/4" (1200) | 53 1/4" (1353) |

Window Height Shown in Table

CUSTOM SIZES AVAILABLE

CUSTOM SIZES AVAILABLE

Minimum Rough Opening = Window Height + 1/2" (13)

Unobstructed Glass = Window Height – 6.25" (159)

| Radius | 23 1/2" (597) | 29 1/2" (749) | 35 1/2" (902) | 41 1/2" (1054) | 47 1/2" (1207) | 53 1/2" (1359) | 59 1/2" (1511) |
|-------------------|--------------------|-------------------|-------------------|--------------------|-------------------|--------------------|--------------------|
| Chord Height | 3 5/32" (80) | 3 15/16" (100) | 4 3/8" (121) | 5 9/16" (141) | 6 3/8" (162) | 7 5/32" (182) | 7 31/32" (202) |
| Side Height | 11 1/2" (292) | 1'-3 7/16" (392) | 1'-4 1/4" (413) | 1'-5 1/16" (433) | 1'-5 7/8" (454) | 1'-6 21/32" (474) | 1'-7 15/32" (495) |
| 2010 | 2010 | 2610 | 3010 | 3610 | 4010 | 4610 | 5010 |
| 1'-5 1/2" (445) | 1'-8 21/32" (524) | 1'-9 7/16" (545) | 1'-10 1/4" (565) | 1'-11 1/16" (586) | 1'-11 7/8" (606) | 2'-0 21/32" (627) | 2'-1 15/32" (647) |
| 2016 | 2016 | 2616 | 3016 | 3616 | 4016 | 4616 | 5016 |
| 1'-11 1/2" (597) | 2'-2 21/32" (677) | 2'-3 7/16" (697) | 2'-4 1/4" (718) | 2'-5 1/16" (738) | 2'-5 7/8" (759) | 2'-6 21/32" (779) | 2'-7 15/32" (799) |
| 2020 | 2020 | 2620 | 3020 | 3620 | 4020 | 4620 | 5020 |
| 2'-5 1/2" (749) | 2'-8 21/32" (829) | 2'-9 7/16" (850) | 2'-10 1/4" (870) | 2'-11 1/16" (891) | 2'-11 7/8" (911) | 3'-0 21/32" (931) | 3'-1 15/32" (952) |
| 2026 | 2026 | 2626 | 3026 | 3626 | 4026 | 4626 | 5026 |
| 2'-11 1/2" (902) | 3'-2 21/32" (982) | 3'-3 7/16" (1002) | 3'-4 1/4" (1023) | 3'-5 1/16" (1043) | 3'-5 7/8" (1063) | 3'-6 21/32" (1084) | 3'-7 15/32" (1104) |
| 2030 | 2030 | 2630 | 3030 | 3630 | 4030 | 4630 | 5030 |
| 3'-5 1/2" (1054) | 3'-8 21/32" (1134) | 3'-9 7/16" (1154) | 3'-10 1/4" (1175) | 3'-11 1/16" (1195) | 3'-11 7/8" (1216) | 4'-0 21/32" (1236) | 4'-1 15/32" (1257) |
| 2036 | 2036 | 2636 | 3036 | 3636 | 4036 | 4636 | 5036 |
| 3'-11 1/2" (1207) | 4'-2 21/32" (1286) | 4'-3 7/16" (1307) | 4'-4 1/4" (1327) | 4'-5 1/16" (1348) | 4'-5 7/8" (1368) | 4'-6 21/32" (1389) | 4'-7 15/32" (1409) |
| 2040 | 2040 | 2640 | 3040 | 3640 | 4040 | 4640 | 5040 |
| 4'-5 1/2" (1359) | 4'-8 21/32" (1439) | 4'-9 7/16" (1459) | 4'-10 1/4" (1480) | 4'-11 1/16" (1500) | 4'-11 7/8" (1521) | 5'-0 21/32" (1541) | 5'-1 15/32" (1561) |
| 2046 | 2046 | 2646 | 3046 | 3646 | 4046 | 4646 | 5046 |
| 4'-11 1/2" (1511) | 5'-2 21/32" (1591) | 5'-3 7/16" (1612) | 5'-4 1/4" (1632) | 5'-5 1/16" (1653) | 5'-5 7/8" (1673) | 5'-6 21/32" (1693) | 5'-7 15/32" (1714) |
| 2050 | 2050 | 2650 | 3050 | 3650 | 4050 | 4650 | 5050 |
| 5'-5 1/2" (1664) | 5'-8 21/32" (1744) | 5'-9 7/16" (1764) | 5'-10 1/4" (1785) | 5'-11 1/16" (1805) | 5'-11 7/8" (1825) | 6'-0 21/32" (1846) | 6'-1 15/32" (1866) |
| 2056 | 2056 | 2656 | 3056 | 3656 | 4056 | 4656 | 5056 |
| 5'-11 1/2" (1816) | 6'-2 21/32" (1896) | 6'-3 7/16" (1916) | 6'-4 1/4" (1937) | 6'-5 1/16" (1957) | 6'-5 7/8" (1978) | 6'-6 21/32" (1998) | 6'-7 15/32" (2019) |
| 2060 | 2060 | 2660 | 3060 | 3660 | 4060 | 4660 | 5060 |

Notes on page 77 also apply to this pages.

| 5'-5 1/2" (1664) | 5'-11 1/2" (1816) | 6'-5 1/2" (1969) | 6'-11 1/2" (2121) | 7'-5 1/2" (2273) | 7'-11 1/2" (2426) |
|----------------------|----------------------|---------------------|------------------------|----------------------|----------------------|
| 5'-6" (1676) | 6'-0" (1829) | 6'-6" (1981) | 7'-0" (2134) | 7'-6" (2286) | 8'-0" (2438) |
| 59 1/4" (1505) | 65 1/4" (1657) | 71 1/4" (1810) | 77 1/4" (1962) | 83 1/4" (2115) | 89 1/4" (2267) |
| 65 1/2"(1664) | 71 1/2"(1816) | 77 1/2"(1969) | 83 1/2"(2121) | 89 1/2"(2273) | 95 1/2"(2426) |
| 1'-8 9/32" (515) | 1'-9 3/32" (535) | 1'-9 7/8" (556) | 1'-10 11/16" (576) | 1'-11 1/2" (597) | 2'-0 9/32" (617) |
| 5610 | 6010 | 6610 | 7010 | 7610 | 8010 |
| 2'-2 9/32" (667) | 2'-3 3/32" (688) | 2'-3 7/8" (708) | 2'-4 11/16" (729) | 2'-5 1/2" (749) | 2'-6 9/32" (769) |
| 5616 | 6016 | 6616 | 7016 | 7616 | 8016 |
| 2'-8 9/32" (820) | 2'-9 3/32" (840) | 2'-9 7/8" (861) | 2'-10 11/16" (881) | 2'-11 1/2" (901) | 3'-0 9/32" (922) |
| 5620 | 6020 | 6620 | 7020 | 7620 | 8020 |
| 3'-2 9/32" (972) | 3'-3 3/32" (993) | 3'-3 7/8" (1013) | 3'-4 11/16" (1033) | 3'-5 1/2" (1054) | 3'-6 9/32" (1074) |
| 5626 | 6026 | 6626 | 7026 | 7626 | 8026 |
| 3'-8 9/32" (1125) | 3'-9 3/32" (1145) | 3'-9 7/8" (1165) | 3'-10 11/16" (1186) | 3'-11 1/2" (1206) | 4'-0 9/32" (1227) |
| 5630 | 6030 | 6630 | 7030 | 7630 | 8030 |
| 4'-2 9/32" (1277) | 4'-3 3/32" (1297) | 4'-3 7/8" (1318) | 4'-4 11/16" (1338) | 4'-5 1/2" (1359) | 4'-6 9/32" (1379) |
| 5636 | 6036 | 6636 | 7036 | 7636 | 8036 |
| 4'-8 9/32" (1429) | 4'-9 3/32" (1450) | 4'-9 7/8" (1470) | 4'-10 11/16" (1491) | 4'-11 1/2" (1511) | 5'-0 9/32" (1531) |
| 5640 | 6040 | 6640 | 7040 | 7640 | 8040 |
| 5'-2 9/32" (1582) | 5'-3 3/32" (1602) | 5'-3 7/8" (1623) | 5'-4 11/16" (1643) | 5'-5 1/2" (1663) | 5'-6 9/32" (1684) |
| 5646 | 6046 | 6646 | 7046 | 7646 | 8046 |
| 5'-8 9/32" (1734) | 5'-9 3/32" (1755) | 5'-9 7/8" (1775) | 5'-10 11/16" (1795) | 5'-11 1/2" (1816) | 6'-0 9/32" (1836) |
| 5650 | 6050 | 6650 | 7050 | 7650 | 8050 |
| 6'-2 9/32" (1887) | 6'-3 3/32" (1907) | 6'-3 7/8" (1927) | 6'-4 11/16" (1948) | 6'-5 1/2" (1968) | 6'-6 9/32" (1989) |
| 5656 | 6056 | 6656 | 7056 | 7656 | 8056 |
| 6'-8 9/32" (2039) | 6'-9 3/32" (2059) | 6'-9 7/8" (2080) | 6'-10 11/16" (2100) | 6'-11 1/2" (2121) | 7'-0 9/32" (2141) |
| 5660 | 6060 | 6660 | 7060 | 7660 | 8060 |

100 Series Picture,
Transom & Specialty
Windows

PICTURE, TRANSOM & SPECIALTY WINDOWS

Arch Window Area Specifications

| Window Number | Glass Area Sq. Ft./ (m ²) | Overall Window Area Sq. Ft./ (m ²) |
|---------------|--|---|
| 2010 | 0.93 (0.09) | 2.22 (0.21) |
| 2016 | 1.65 (0.15) | 3.20 (0.30) |
| 2020 | 2.37 (0.22) | 4.18 (0.39) |
| 2026 | 3.09 (0.29) | 5.16 (0.48) |
| 2030 | 3.81 (0.35) | 6.14 (0.57) |
| 2036 | 4.52 (0.42) | 7.12 (0.66) |
| 2040 | 5.24 (0.49) | 8.10 (0.75) |
| 2046 | 5.96 (0.55) | 9.08 (0.84) |
| 2050 | 6.68 (0.62) | 10.06 (0.93) |
| 2056 | 7.40 (0.69) | 11.04 (1.03) |
| 2060 | 8.12 (0.75) | 12.02 (1.12) |
| 2610 | 1.34 (0.12) | 2.90 (0.27) |
| 2616 | 2.31 (0.21) | 4.13 (0.38) |
| 2620 | 3.28 (0.30) | 5.36 (0.50) |
| 2626 | 4.25 (0.39) | 6.59 (0.61) |
| 2630 | 5.22 (0.48) | 7.82 (0.73) |
| 2636 | 6.19 (0.57) | 9.05 (0.84) |
| 2640 | 7.16 (0.66) | 10.28 (0.95) |
| 2646 | 8.12 (0.75) | 11.51 (1.07) |
| 2650 | 9.09 (0.84) | 12.74 (1.18) |
| 2656 | 10.06 (0.93) | 13.97 (1.30) |
| 2660 | 11.03 (1.02) | 15.20 (1.41) |
| 3010 | 1.80 (0.17) | 3.63 (0.34) |
| 3016 | 3.02 (0.28) | 5.11 (0.47) |
| 3020 | 4.24 (0.39) | 6.59 (0.61) |
| 3026 | 5.46 (0.51) | 8.07 (0.75) |
| 3030 | 6.68 (0.62) | 9.54 (0.89) |
| 3036 | 7.90 (0.73) | 11.02 (1.02) |
| 3040 | 9.11 (0.85) | 12.50 (1.16) |
| 3046 | 10.33 (0.96) | 13.98 (1.30) |
| 3050 | 11.55 (1.07) | 15.46 (1.44) |
| 3056 | 12.77 (1.19) | 16.94 (1.57) |
| 3060 | 13.99 (1.30) | 18.42 (1.71) |
| 3610 | 2.30 (0.21) | 4.40 (0.41) |
| 3616 | 3.77 (0.35) | 6.13 (0.57) |
| 3620 | 5.24 (0.49) | 7.86 (0.73) |
| 3626 | 6.71 (0.62) | 9.59 (0.89) |
| 3630 | 8.18 (0.76) | 11.31 (1.05) |
| 3636 | 9.65 (0.90) | 13.04 (1.21) |
| 3640 | 11.12 (1.03) | 14.77 (1.37) |
| 3646 | 12.59 (1.17) | 16.50 (1.53) |
| 3650 | 14.05 (1.31) | 18.23 (1.69) |
| 3656 | 15.52 (1.44) | 19.96 (1.85) |
| 3660 | 16.99 (1.58) | 21.69 (2.02) |
| 4010 | 2.85 (0.27) | 5.21 (0.48) |
| 4016 | 4.57 (0.42) | 7.19 (0.67) |
| 4020 | 6.29 (0.58) | 9.17 (0.85) |
| 4026 | 8.01 (0.74) | 11.15 (1.04) |
| 4030 | 9.73 (0.90) | 13.13 (1.22) |
| 4036 | 11.45 (1.06) | 15.11 (1.40) |
| 4040 | 13.17 (1.22) | 17.09 (1.59) |
| 4046 | 14.88 (1.38) | 19.07 (1.77) |
| 4050 | 16.60 (1.54) | 21.05 (1.96) |
| 4056 | 18.32 (1.70) | 23.03 (2.14) |
| 4060 | 20.04 (1.86) | 25.00 (2.32) |
| 4610 | 3.45 (0.32) | 6.07 (0.56) |
| 4616 | 5.42 (0.50) | 8.30 (0.77) |
| 4620 | 7.38 (0.69) | 10.53 (0.98) |
| 4626 | 9.35 (0.87) | 12.76 (1.19) |
| 4630 | 11.32 (1.05) | 14.99 (1.39) |
| 4636 | 13.29 (1.23) | 17.22 (1.60) |

| Window Number | Glass Area Sq. Ft./ (m ²) | Overall Window Area Sq. Ft./ (m ²) |
|---------------|--|---|
| 4640 | 15.26 (1.42) | 19.45 (1.81) |
| 4646 | 17.23 (1.60) | 21.68 (2.01) |
| 4650 | 19.20 (1.78) | 23.91 (2.22) |
| 4656 | 21.17 (1.97) | 26.14 (2.43) |
| 4660 | 23.13 (2.15) | 28.36 (2.64) |
| 5010 | 4.09 (0.38) | 6.98 (0.65) |
| 5016 | 6.30 (0.59) | 9.46 (0.88) |
| 5020 | 8.52 (0.79) | 11.94 (1.11) |
| 5026 | 10.74 (1.00) | 14.42 (1.34) |
| 5030 | 12.96 (1.20) | 16.90 (1.57) |
| 5036 | 15.18 (1.41) | 19.37 (1.80) |
| 5040 | 17.40 (1.62) | 21.85 (2.03) |
| 5046 | 19.62 (1.82) | 24.33 (2.26) |
| 5050 | 21.84 (2.03) | 26.81 (2.49) |
| 5056 | 24.05 (2.23) | 29.29 (2.72) |
| 5060 | 26.27 (2.44) | 31.77 (2.95) |
| 5610 | 4.77 (0.44) | 7.93 (0.74) |
| 5616 | 7.24 (0.67) | 10.66 (0.99) |
| 5620 | 9.71 (0.90) | 13.39 (1.24) |
| 5626 | 12.18 (1.13) | 16.12 (1.50) |
| 5630 | 14.65 (1.36) | 18.85 (1.75) |
| 5636 | 17.11 (1.59) | 21.58 (2.00) |
| 5640 | 19.58 (1.82) | 24.30 (2.26) |
| 5646 | 22.05 (2.05) | 27.03 (2.51) |
| 5650 | 24.52 (2.28) | 29.76 (2.77) |
| 5656 | 26.99 (2.51) | 32.49 (3.02) |
| 5660 | 29.46 (2.74) | 35.22 (3.27) |
| 6010 | 5.50 (0.51) | 8.93 (0.83) |
| 6016 | 8.22 (0.76) | 11.91 (1.11) |
| 6020 | 10.94 (1.02) | 14.88 (1.38) |
| 6026 | 13.66 (1.27) | 17.86 (1.66) |
| 6030 | 16.38 (1.52) | 20.84 (1.94) |
| 6036 | 19.09 (1.77) | 23.82 (2.21) |
| 6040 | 21.81 (2.03) | 26.80 (2.49) |
| 6046 | 24.53 (2.28) | 29.78 (2.77) |
| 6050 | 27.25 (2.53) | 32.76 (3.04) |
| 6056 | 29.97 (2.78) | 35.74 (3.32) |
| 6060 | 32.69 (3.04) | 38.72 (3.60) |
| 6610 | 6.27 (0.58) | 9.97 (0.93) |
| 6616 | 9.24 (0.86) | 13.20 (1.23) |
| 6620 | 12.21 (1.13) | 16.43 (1.53) |
| 6626 | 15.18 (1.41) | 19.66 (1.83) |
| 6630 | 18.15 (1.69) | 22.88 (2.13) |
| 6636 | 21.12 (1.96) | 26.11 (2.43) |
| 6640 | 24.09 (2.24) | 29.34 (2.73) |
| 6646 | 27.06 (2.51) | 32.57 (3.03) |
| 6650 | 30.02 (2.79) | 35.80 (3.33) |
| 6656 | 32.99 (3.07) | 39.03 (3.63) |
| 6660 | 35.96 (3.34) | 42.26 (3.93) |
| 7010 | 7.10 (0.66) | 11.05 (1.03) |
| 7016 | 10.31 (0.96) | 14.53 (1.35) |
| 7020 | 13.53 (1.26) | 18.01 (1.67) |
| 7026 | 16.75 (1.56) | 21.49 (2.00) |
| 7030 | 19.97 (1.86) | 24.97 (2.32) |
| 7036 | 23.19 (2.15) | 28.45 (2.64) |
| 7040 | 26.41 (2.45) | 31.93 (2.97) |
| 7046 | 29.63 (2.75) | 35.41 (3.29) |
| 7050 | 32.85 (3.05) | 38.89 (3.61) |
| 7056 | 36.06 (3.35) | 42.37 (3.94) |
| 7060 | 39.28 (3.65) | 45.85 (4.26) |
| 7610 | 7.96 (0.74) | 12.19 (1.13) |

| Window Number | Glass Area Sq. Ft./ (m ²) | Overall Window Area Sq. Ft./ (m ²) |
|---------------|--|---|
| 7616 | 11.43 (1.06) | 15.92 (1.48) |
| 7620 | 14.90 (1.38) | 19.64 (1.83) |
| 7626 | 18.37 (1.71) | 23.37 (2.17) |
| 7630 | 21.84 (2.03) | 27.10 (2.52) |
| 7636 | 25.30 (2.35) | 30.83 (2.86) |
| 7640 | 28.77 (2.67) | 34.56 (3.21) |
| 7646 | 32.24 (3.00) | 38.29 (3.56) |
| 7650 | 35.71 (3.32) | 42.02 (3.90) |
| 7656 | 39.18 (3.64) | 45.75 (4.25) |
| 7660 | 42.65 (3.96) | 49.48 (4.60) |
| 8010 | 8.87 (0.82) | 13.36 (1.24) |
| 8016 | 12.59 (1.17) | 17.34 (1.61) |
| 8020 | 16.31 (1.52) | 21.32 (1.98) |
| 8026 | 20.03 (1.86) | 25.30 (2.35) |
| 8030 | 23.75 (2.21) | 29.28 (2.72) |
| 8036 | 27.47 (2.55) | 33.26 (3.09) |
| 8040 | 31.18 (2.90) | 37.24 (3.46) |
| 8046 | 34.90 (3.24) | 41.22 (3.83) |
| 8050 | 38.62 (3.59) | 45.20 (4.20) |
| 8056 | 42.34 (3.93) | 49.18 (4.57) |
| 8060 | 46.06 (4.28) | 53.16 (4.94) |

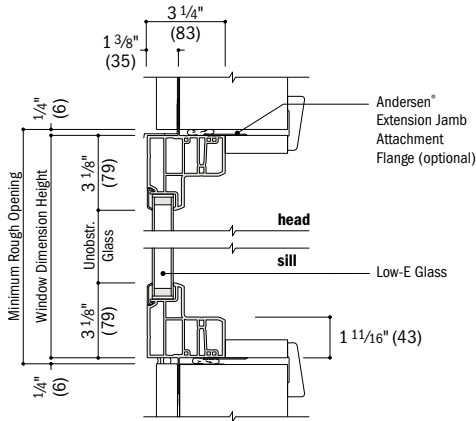
• Dimensions in parentheses are in square meters.

For picture, transom, half circle, quarter circle, circle and Springline™ window specifications, see pages 68-71.

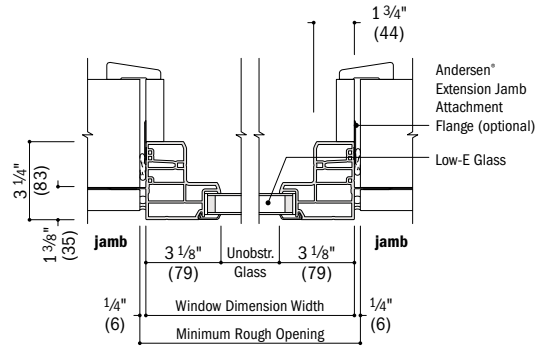
Picture, Single Transom and Specialty Window Details – New Construction

Scale 1 1/2" (38) = 1'-0" (305) – 1:8

1 3/8" flange setback

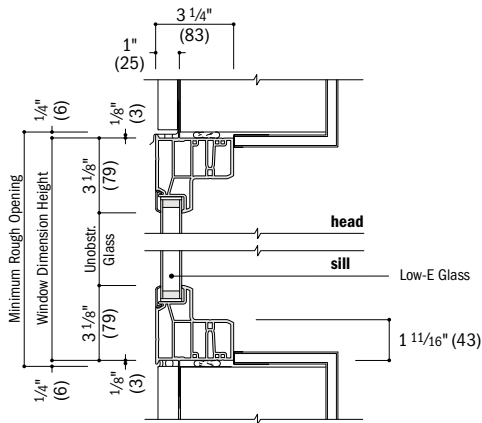


Vertical Section



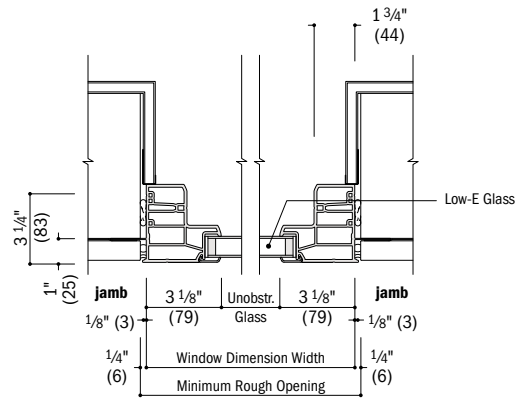
Horizontal Section

1" flange setback with stucco key



Vertical Section

Stucco Exterior



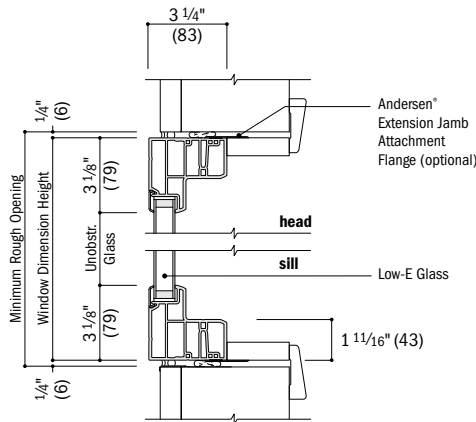
Horizontal Section

Stucco Exterior

Picture, Single Transom and Specialty Window Details – Replacement

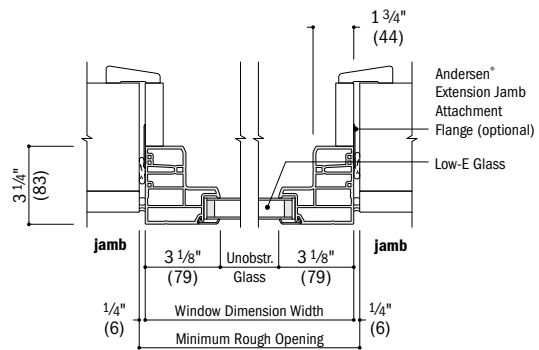
Scale 1 1/2" (38) = 1'-0" (305) – 1:8

no flange



Vertical Section

Existing Framed Opening



Horizontal Section

Existing Framed Opening

continued on next page

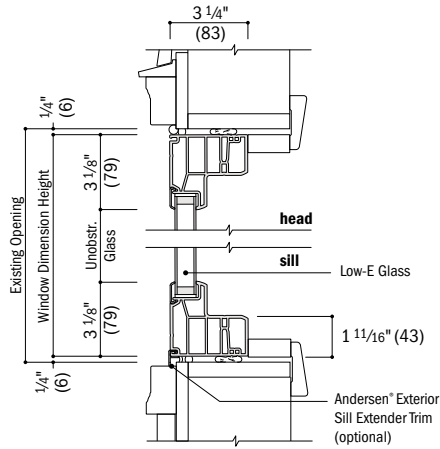
- Drip cap is required to complete window installation as shown but may not be included with the window. Use of drip cap is recommended for proper installation.
- Light-colored areas are parts included with window. Dark-colored areas are additional Andersen® parts required to complete window assembly as shown.
- **Minimum rough openings may need to be increased to allow for use of building wraps, flashing, sill panning, brackets, fasteners or other items. See installation information on page 110.**
- Details are for illustration only and are not intended to represent product installation methods or materials. Refer to product installation instructions at andersenwindows.com.
- Dimensions in parentheses are in millimeters.

PICTURE, TRANSOM & SPECIALTY WINDOWS

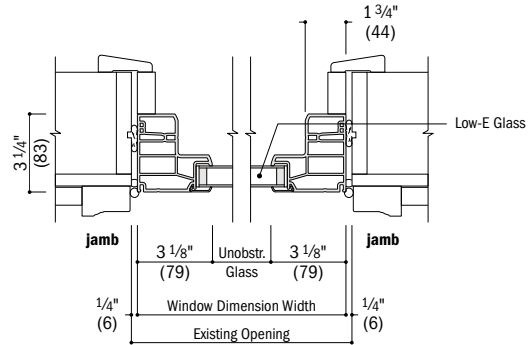
Picture, Single Transom and Specialty Window Details - Replacement (continued)

Scale 1 1/2" (38) = 1'-0" (305) - 1:8

Insert



Vertical Section
Existing Window Opening

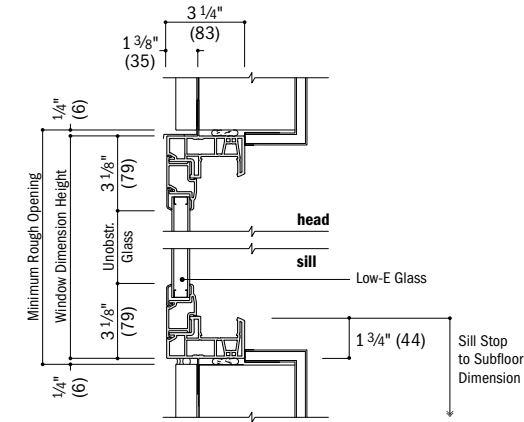


Horizontal Section
Existing Window Opening

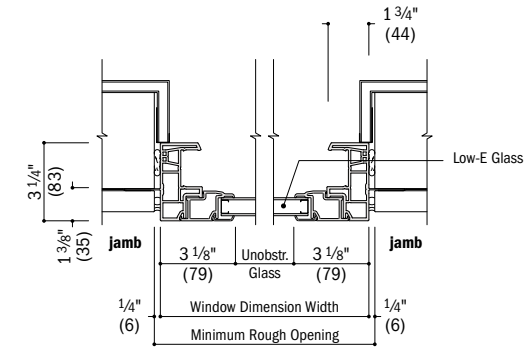
Twin and Triple Transom Window Details - New Construction

Scale 1 1/2" (38) = 1'-0" (305) - 1:8

1 3/8" flange setback

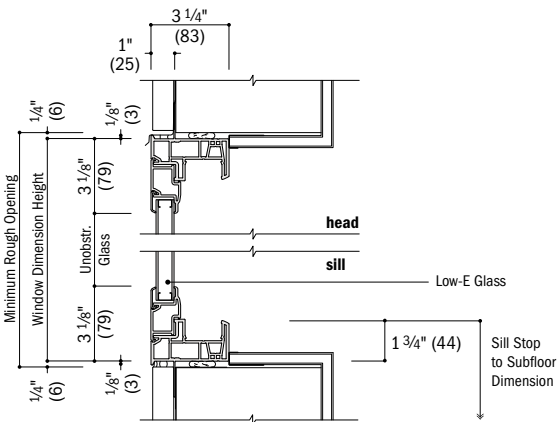


Vertical Section

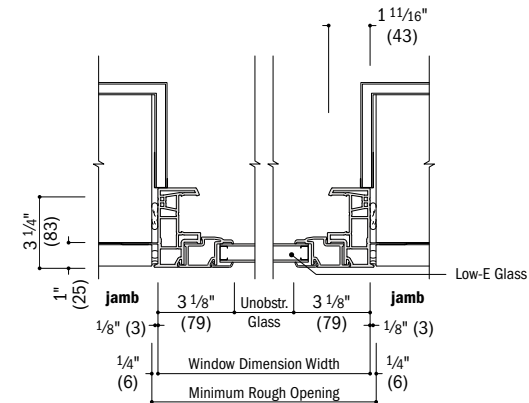


Horizontal Section

1" flange setback with stucco key



Vertical Section



Horizontal Section

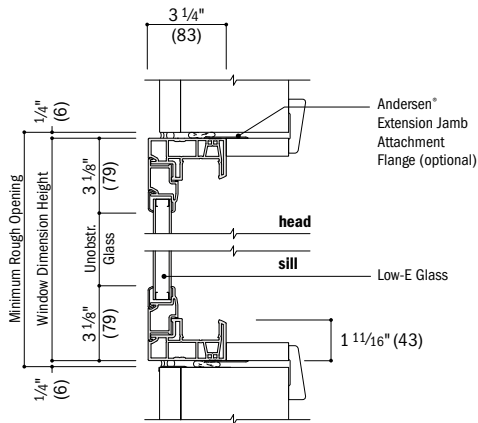
continued on next page

- Drip cap is required to complete window installation as shown but may not be included with the window. Use of drip cap is recommended for proper installation.
- Light-colored areas are parts included with window. Dark-colored areas are additional Andersen® parts required to complete window assembly as shown.
- **Minimum rough openings may need to be increased to allow for use of building wraps, flashing, sill panning, brackets, fasteners or other items. See installation information on page 110.**
- Details are for illustration only and are not intended to represent product installation methods or materials. Refer to product installation instructions at andersenwindows.com.
- Dimensions in parentheses are in millimeters.

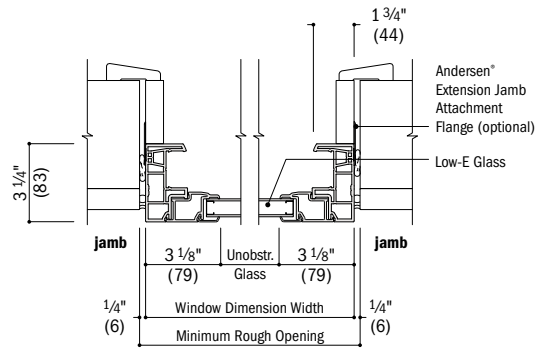
Twin and Triple Transom Window Details – Replacement *(continued)*

Scale 1 1/2" (38) = 1'-0" (305) – 1:8

no flange

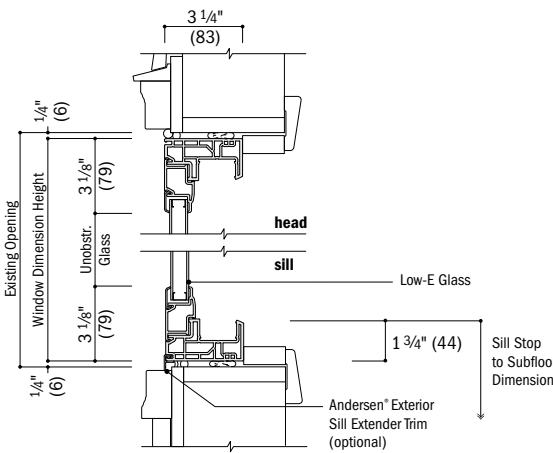


Vertical Section
Existing Framed Opening

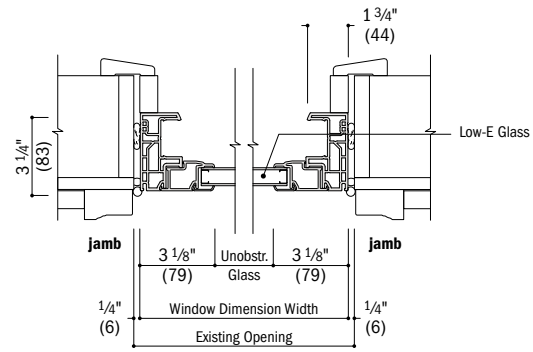


Horizontal Section
Existing Framed Opening

insert

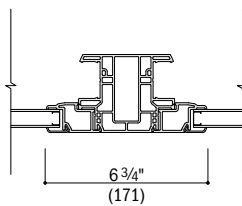


Vertical Section
Existing Window Opening



Horizontal Section
Existing Window Opening

integral



Horizontal Section
Twin or Triple Transom

Installation accessories for insert frame shown on page 109.

See pages 84-87 for joining details.

100 Series Picture,
Transom & Specialty
Windows

- Drip cap is required to complete window installation as shown but may not be included with the window. Use of drip cap is recommended for proper installation.
- Light-colored areas are parts included with window. Dark-colored areas are additional Andersen™ parts required to complete window assembly as shown.
- **Minimum rough openings may need to be increased to allow for use of building wraps, flashing, sill panning, brackets, fasteners or other items. See installation information on page 110.**
- Details are for illustration only and are not intended to represent product installation methods or materials. Refer to product installation instructions at andersenwindows.com.
- Dimensions in parentheses are in millimeters.

WINDOW JOINING DETAILS

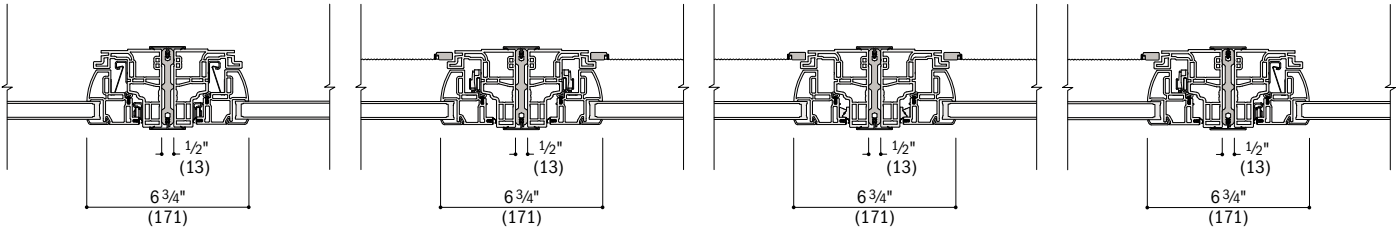
Vertical (ribbon) Fiberglass Joining Details – Non-Reinforced

Scale 1 1/2" (38) = 1'-0" (305) – 1:8

Overall Window Dimension Width – Sum of individual window widths plus 1/2" (13) per join.

Overall Minimum Rough Opening Width – Overall window dimension width plus 3/4" (19).

The addition of joining materials will affect the overall rough opening dimension. See page 110.

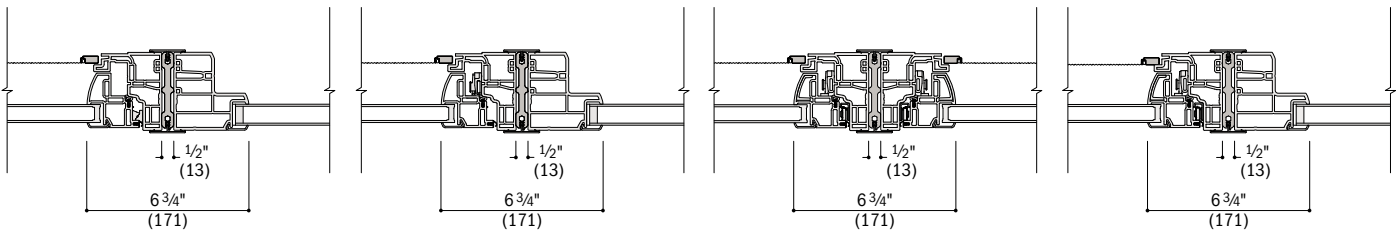


Casement to Casement
(Stationary Jamb to Stationary Jamb)

Casement to Casement
(Lock Jamb to Lock Jamb)

Casement to Casement
(Hinge Jamb to Hinge Jamb)

Casement to Casement
(Lock Jamb to Stationary Jamb)

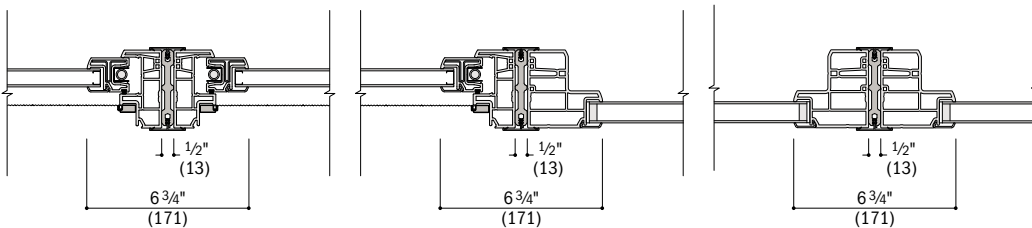


Casement to Picture/Single Transom
(Casement Hinge Jamb)

Casement to Picture/Single Transom
(Casement Lock Jamb)

Awning to Awning

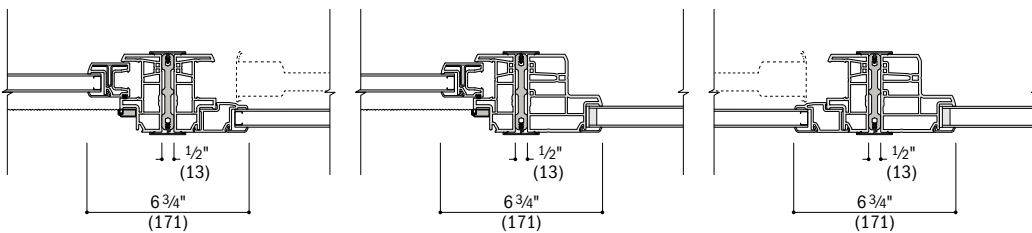
Awning to Picture/Single Transom



Single-Hung to Single-Hung

Single-Hung to Picture/Single Transom

**Picture/Single Transom to
Picture/Single Transom**



Gliding to Gliding
(Active Jamb to Stationary Jamb)

Gliding to Picture/Single Transom
(Gliding Active Jamb)

Gliding to Picture/Single Transom
(Gliding Stationary Jamb)

- Minimum rough openings may need to be increased to allow for use of building wraps, flashing, sill panning, brackets, fasteners or other items. See installation information on page 110.
- Details are for illustration only and are not intended to represent product installation methods or materials. Refer to product installation instructions at andersenwindows.com.
- Structural performance of any combination is only as high as the lowest structural performance of any individual unit or join in the combination.
- Dimensions in parentheses are in millimeters.

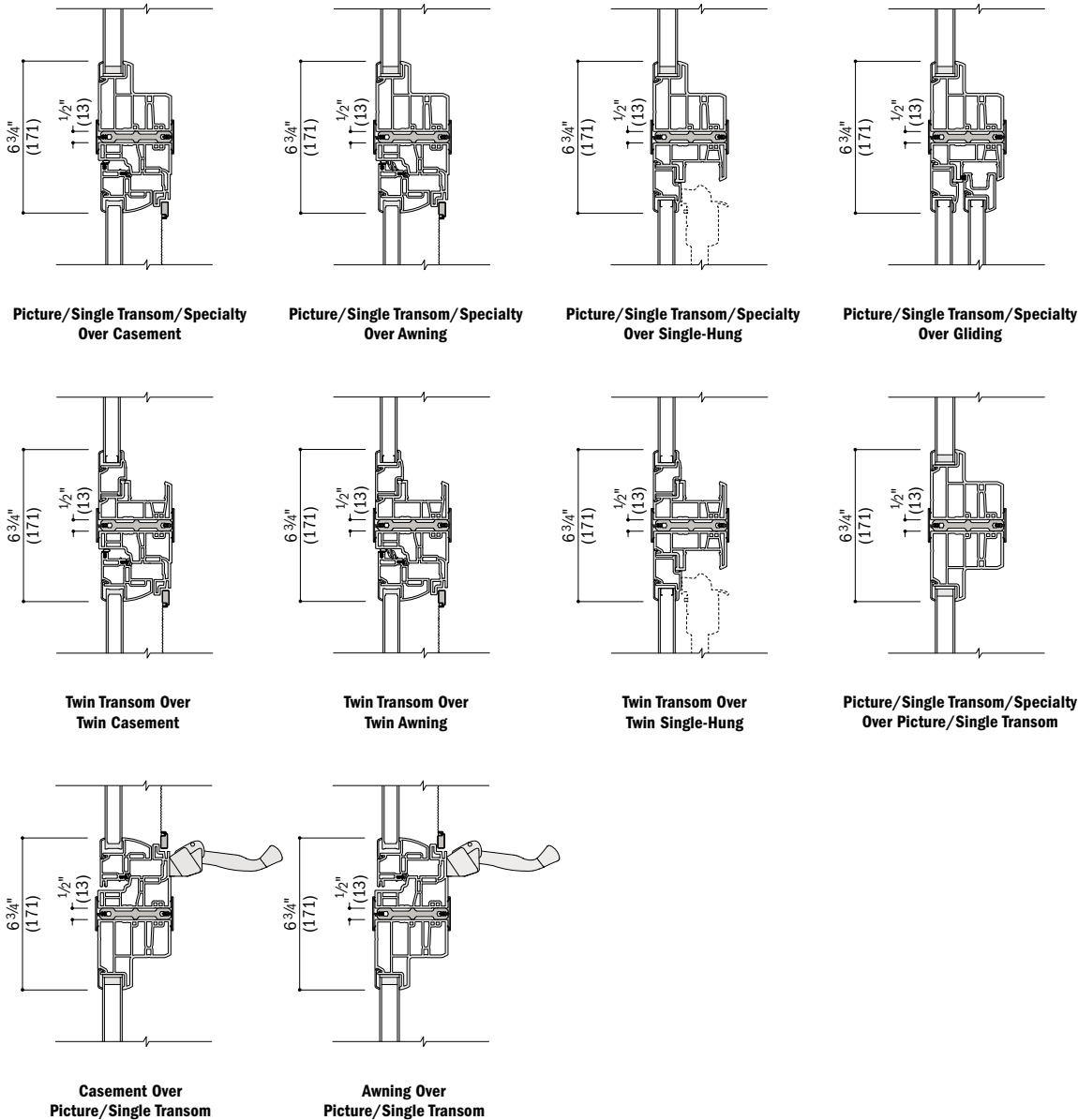
Horizontal (stack) Fiberglass Joining Details – Non-Reinforced

Scale 1½" (38) = 1'-0" (305) – 1:8

Overall Window Dimension Width – Sum of individual window widths plus ½" (13) per join.

Overall Minimum Rough Opening Width – Overall window dimension width plus ¾" (19).

The addition of joining materials will affect the overall rough opening dimension. See page 110.



For more information on joining, refer to the combination designs section starting on page 99.

- Minimum rough openings may need to be increased to allow for use of building wraps, flashing, sill panning, brackets, fasteners or other items. See installation information on page 110.
- Details are for illustration only and are not intended to represent product installation methods or materials. Refer to product installation instructions at andersenwindows.com.
- Structural performance of any combination is only as high as the lowest structural performance of any individual unit or join in the combination.
- Dimensions in parentheses are in millimeters.

WINDOW JOINING DETAILS

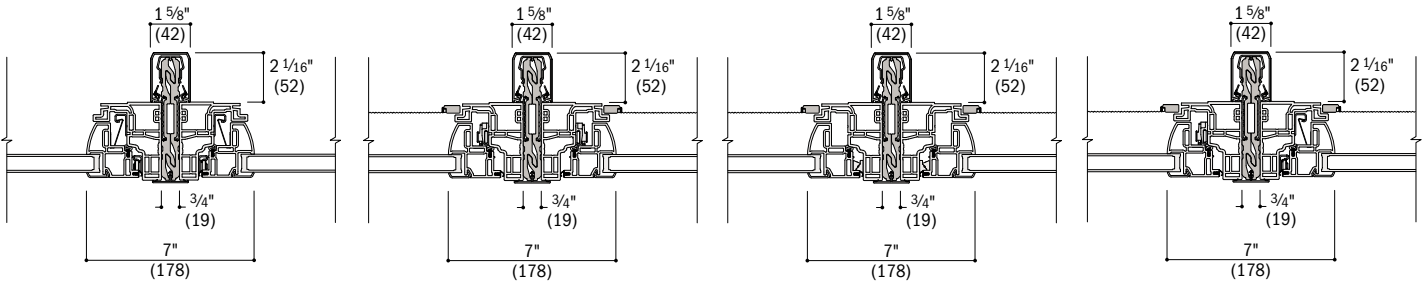
Vertical (ribbon) Fiberglass Joining Details – Reinforced

Scale 1 1/2" (38) = 1'-0" (305) – 1:8

Overall Window Dimension Width – Sum of individual window widths plus 3/4" (19) per join.

Overall Minimum Rough Opening Width – Overall window dimension width plus 3/4" (19).

The addition of joining materials will affect the overall rough opening dimension. See page 110.

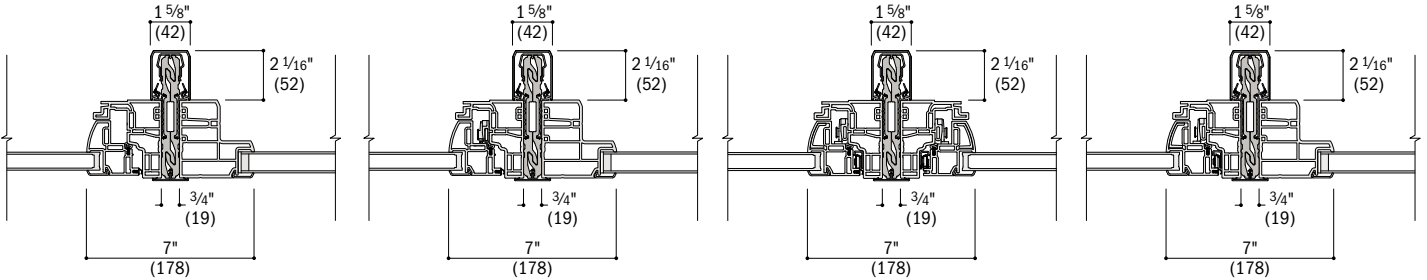


Casement to Casement
(Stationary Jamb to Stationary Jamb)

Casement to Casement
(Lock Jamb to Lock Jamb)

Casement to Casement
(Hinge Jamb to Hinge Jamb)

Casement to Casement
(Lock Jamb to Stationary Jamb)

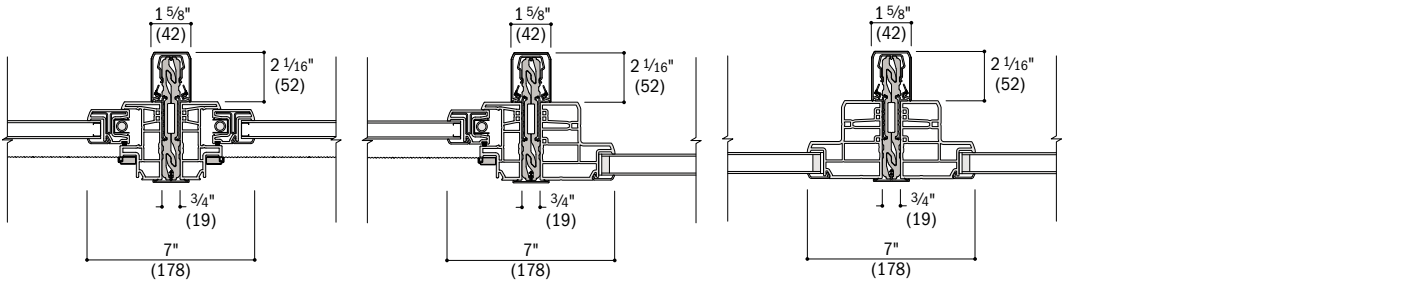


Casement to Picture/Single Transom
(Casement Hinge Jamb)

Casement to Picture/Single Transom
(Casement Lock Jamb)

Awning to Awning

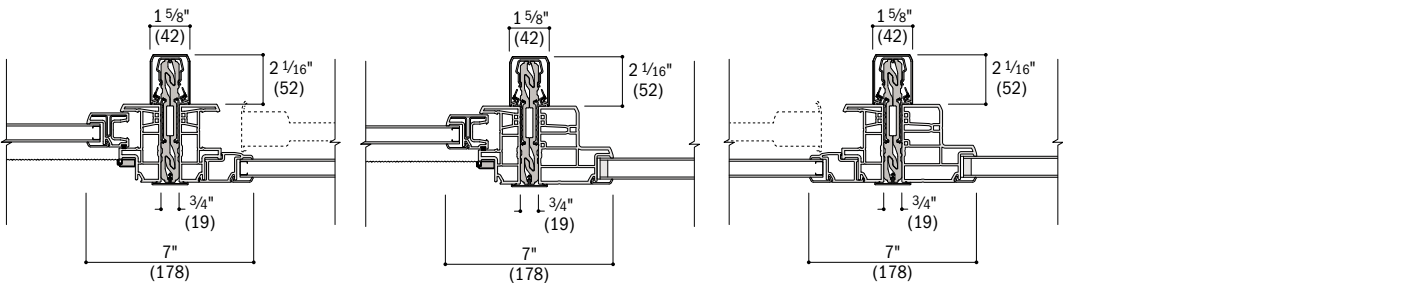
Awning to Picture/Single Transom



Single-Hung to Single-Hung

Single-Hung to Picture/Single Transom

Picture/Single Transom to Picture/Single Transom



Gliding to Gliding
(Active Jamb to Stationary Jamb)

Gliding to Picture/Single Transom
(Gliding Active Jamb)

Gliding to Picture/Single Transom
(Gliding Stationary Jamb)

- Minimum rough openings may need to be increased to allow for use of building wraps, flashing, sill panning, brackets, fasteners or other items. See installation information on page 110.
- Details are for illustration only and are not intended to represent product installation methods or materials. Refer to product installation instructions at andersenwindows.com.
- Structural performance of any combination is only as high as the lowest structural performance of any individual unit or join in the combination.
- Dimensions in parentheses are in millimeters.

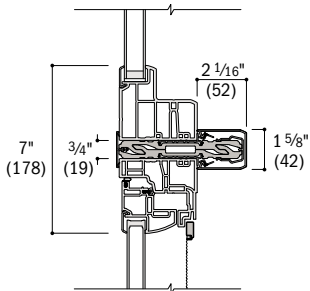
Horizontal (stack) Fiberglass Joining Details - Reinforced

Scale 1 1/2" (38) = 1'-0" (305) - 1:8

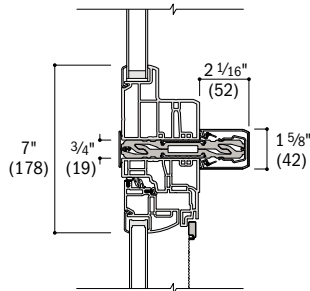
Overall Window Dimension Width - Sum of individual window widths plus 3/4" (19) per join.

Overall Minimum Rough Opening Width - Overall window dimension width plus 3/4" (19).

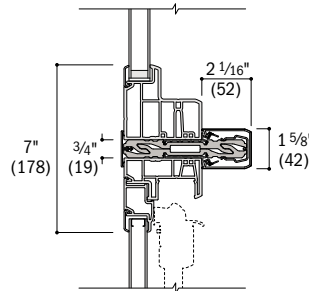
The addition of joining materials will affect the overall rough opening dimension. See page 110.



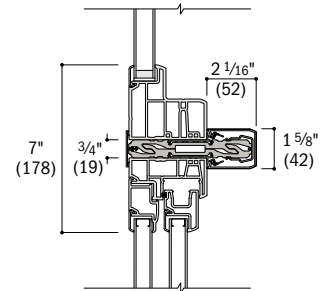
Picture/Single Transom/Specialty Over Casement



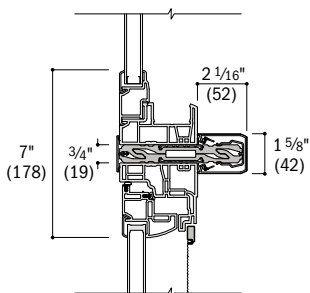
Picture/Single Transom/Specialty Over Awning



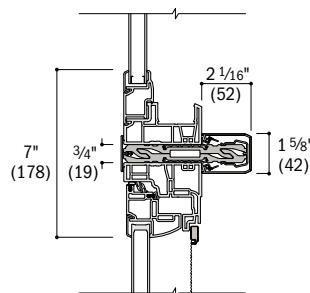
Picture/Single Transom/Specialty Over Single-Hung



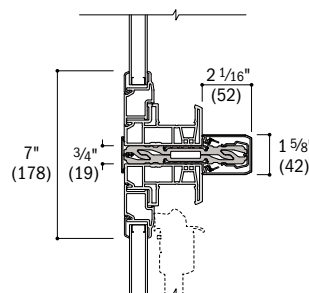
Picture/Single Transom/Specialty Over Gliding



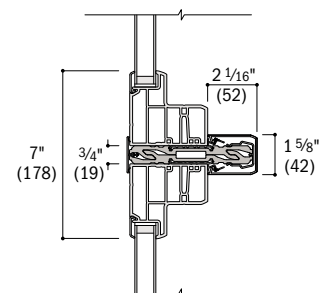
Twin Transom Over Twin Casement



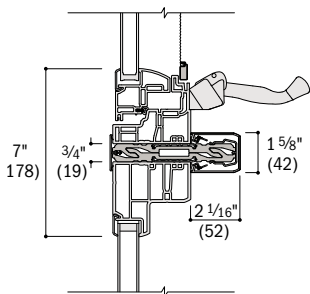
Twin Transom Over Twin Awning



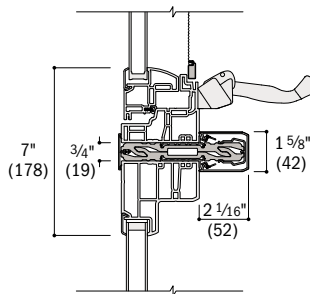
Twin Transom Over Twin Single-Hung



Picture/Single Transom/Specialty Over Picture/Single Transom



Casement Over Picture/Single Transom



Awning Over Picture/Single Transom

For more information on joining, refer to the combination designs section starting on page 99.

- Minimum rough openings may need to be increased to allow for use of building wraps, flashing, sill panning, brackets, fasteners or other items. See installation information on page 110.
- Details are for illustration only and are not intended to represent product installation methods or materials. Refer to product installation instructions at andersenwindows.com.
- Structural performance of any combination is only as high as the lowest structural performance of any individual unit or join in the combination.
- Dimensions in parentheses are in millimeters.

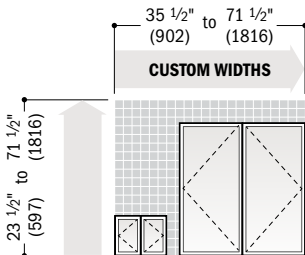
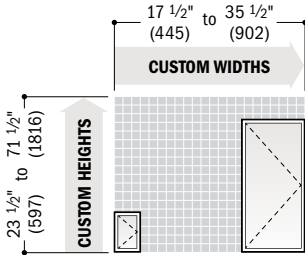
WINDOW CUSTOM SIZES

Custom Sizes and Specification Formulas



100 Series custom-size windows are available in 1/8" (3) increments between minimum and maximum widths and heights shown. Some restrictions apply.

Casement Windows



Single

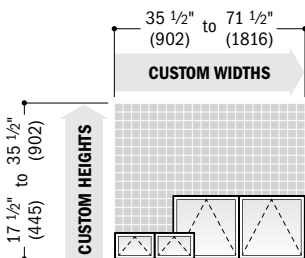
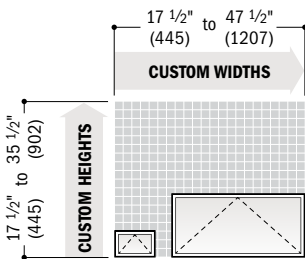
| | | | |
|--------------------------|--|--------------------------|--|
| Clear Opening | $\text{Width} = \text{window width} - 12.103'' (307) \text{ wash mode}^*$ $\text{Width} = \text{window width} - 7.790'' (198) \text{ widest clear opening}^*$ $\text{Height} = \text{window height} - 5.694'' (145)$ | Minimum R.O. | $\text{Width} = \text{window width} + 1/2'' (13)$ $\text{Height} = \text{window height} + 1/2'' (13)$ |
| Vent Opening | $\text{Width} = \text{window width} - 7.964'' (202)$ $\text{Height} = \text{window height} - 5.694'' (145)$ | Unobst. Glass | $\text{Width} = \text{window width} - 6.250'' (159)$ $\text{Height} = \text{window height} - 6.250'' (159)$ |

Twin

| | | | |
|--------------------------|--|--------------------------|--|
| Clear Opening | $\text{Width} = (\text{window width} \div 2) - 12.353'' (314) \text{ wash mode}^*$ $\text{Width} = (\text{window width} \div 2) - 8.040'' (204) \text{ widest clear opening}^*$ $\text{Height} = \text{window height} - 5.694'' (145)$ | Minimum R.O. | $\text{Width} = \text{window width} + 1/2'' (13)$ $\text{Height} = \text{window height} + 1/2'' (13)$ |
| Vent Opening | $\text{Width} = \text{window width} - 16.428'' (417)$ $\text{Height} = \text{window height} - 5.694'' (145)$ | Unobst. Glass | $\text{Single Sash Width} = (\text{window width} \div 2) - 6.50'' (165)$ $\text{Total Sash Width} = \text{window width} - 13.000'' (330)$ $\text{Height} = \text{window height} - 6.250'' (159)$ |

*Widest clear opening hinge will be applied, based on window size, if it allows the window to meet or exceed clear opening area of 5.7 sq. ft. or 0.53 m², clear opening width of 20" (508) and clear opening height of 24" (610). Hinge type cannot be specified.

Awning Windows



Single

| | | | |
|--------------------------|--|--------------------------|--|
| Clear Opening | $\text{Width} = \text{window width} - 5.694'' (145)$ $\text{Depth} = 8.000'' (203)$ | Minimum R.O. | $\text{Width} = \text{window width} + 1/2'' (13)$ $\text{Height} = \text{window height} + 1/2'' (13)$ |
| Vent Opening | $\text{Width} = \text{window width} - 5.694'' (145)$ $\text{Depth} = 8.000'' (203)$ | Unobst. Glass | $\text{Width} = \text{window width} - 6.250'' (159)$ $\text{Height} = \text{window height} - 6.250'' (159)$ |

*Awning windows do not meet clear opening area of 5.7 sq. ft. or 0.53 m², clear opening width of 20" (508) and clear opening height of 24" (610).

Twin

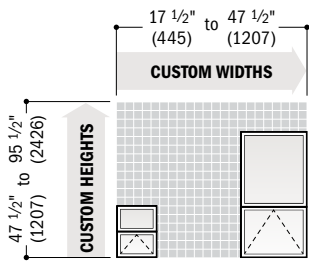
| | | | |
|--------------------------|---|--------------------------|--|
| Clear Opening | $\text{Width} = (\text{window width} \div 2) - 5.944'' (151)$ $\text{Depth} = 8.000'' (203)$ | Minimum R.O. | $\text{Width} = \text{window width} + 1/2'' (13)$ $\text{Height} = \text{window height} + 1/2'' (13)$ |
| Vent Opening | $\text{Width} = (\text{window width} \div 2) - 5.944'' (151)$ $\text{Depth} = 8.000'' (203)$ | Unobst. Glass | $\text{Single Sash Width} = (\text{window width} \div 2) - 6.50'' (165)$ $\text{Total Sash Width} = \text{window width} - 13.000'' (330)$ $\text{Height} = \text{window height} - 6.250'' (159)$ |

*Awning windows do not meet clear opening area of 5.7 sq. ft. or 0.53 m², clear opening width of 20" (508) and clear opening height of 24" (610).

* **Clear Opening** formulas provide dimensions for determining area available for egress. **Vent Opening** formulas provide dimensions for determining area available for passage of air. **Minimum R.O.** (minimum rough opening) formulas provide minimum rough opening width and height dimensions. **Unobst. Glass** (unobstructed glass) formulas provide dimensions for determining area available for passage of light.

*Dimensions in parentheses are in millimeters.

Awning Windows (continued)



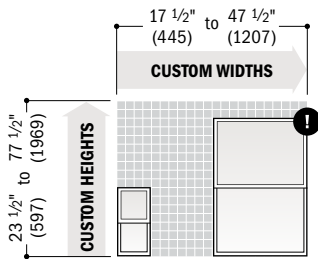
Contact your Andersen supplier for min./max. height dimensions for lower venting sash.

Picture Window Over Awning

| | | | |
|--------------------------|---|-------------------------|--|
| Clear Opening | Width = window width - 5.694" (145) Depth = 8.000" (203) | Minimum R.O. | Width = window width + 1/2" (13) Height = window height + 1/2" (13) |
| | Vent Opening | | Width = window width - 5.694" (145) Depth = 8.000" (203) |

• Awning windows do not meet clear opening area of 5.7 sq. ft. or 0.53 m², clear opening width of 20" (508) and clear opening height of 24" (610).

Single-Hung Windows

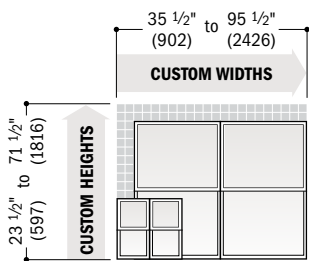


Windows with a height greater than 77 1/2" (1969) are only available with a 2:1 reverse cottage sash ratio.*

Equal Sash Ratio

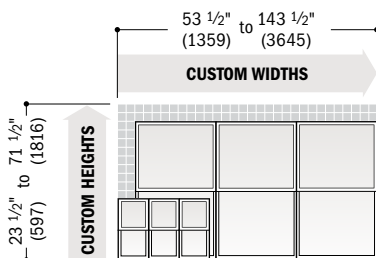
| | | | |
|--------------------------|--|-------------------------|--|
| Clear Opening | Width = window width - 3.500" (89) Height = (window height + 2) - 3.711" (94) | Minimum R.O. | Width = window width + 1/2" (13) Height = window height + 1/2" (13) |
| | Vent Opening | | Equal Sash Ratio Width = window width - 3.500" (89) Height = (window height + 2) - 3.711" (94) |

• Drywall pass-through window is available for custom-size windows wider than 23 1/2" (597) and taller than 53 1/2" (1359).
• Windows with a 3:2 reverse cottage sash ratio are available in custom sizes from 17 1/2" (445) to 47 1/2" (1207) in width to 29 1/2" (749) to 77 1/2" (1969) in height. For area and opening specification formulas, visit andersenwindows.com.
• Window heights that require a 2:1 reverse cottage sash ratio are available in custom sizes from 17 1/2" (445) to 47 1/2" (1207) in width to 77 5/8" (1972) to 89 1/2" (2273) in height. For area and opening specifications, contact your Andersen supplier.



Twin

| | | | |
|--------------------------|--|-------------------------|--|
| Clear Opening | Width = (window width ÷ 2) - 3.750" (95) Height = (window height + 2) - 3.711" (94) | Minimum R.O. | Width = window width + 1/2" (13) Height = window height + 1/2" (13) |
| | Vent Opening | | Equal Sash Ratio Width = window width - 3.500" (89) Height = (window height + 2) - 3.711" (94) |



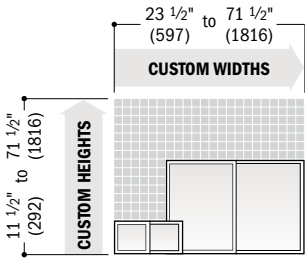
Triple

| | | | |
|--------------------------|--|-------------------------|--|
| Clear Opening | Width = (window width ÷ 3) - 3.833" (97) Height = (window height + 2) - 3.711" (94) | Minimum R.O. | Width = window width + 1/2" (13) Height = window height + 1/2" (13) |
| | Vent Opening | | Equal Sash Ratio Width = window width - 11.500" (292) Height = (window height + 2) - 3.711" (94) |

• **Clear Opening** formulas provide dimensions for determining area available for egress. **Vent Opening** formulas provide dimensions for determining area available for passage of air. **Minimum R.O.** (minimum rough opening) formulas provide minimum rough opening width and height dimensions. **Unobst. Glass** (unobstructed glass) formulas provide dimensions for determining area available for passage of light.
• Dimensions in parentheses are in millimeters.

WINDOW CUSTOM SIZES

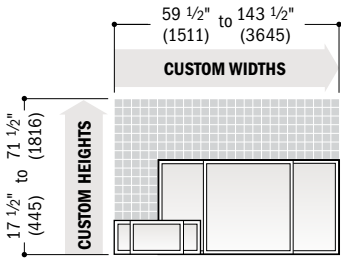
Gliding Windows



Active-Stationary or Stationary-Active (X0/OX)

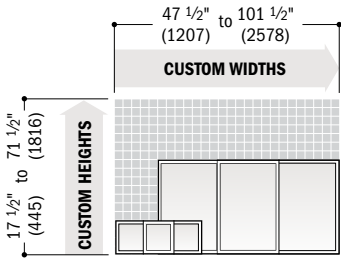
| | | | |
|--------------------------|--|--------------------------|---|
| Clear Opening | Width = (window width ÷ 2) - 3.711" (94) Height = window height - 3.500" (89) | Minimum R.O. | Width = window width + 1/2" (13) Height = window height + 1/2" (13) |
| Vent Opening | Width = (window width ÷ 2) - 3.711" (94) Height = window height - 3.500" (89) | Unobst. Glass | Fixed Sash Width = (window width ÷ 2) - 4.184" (106) Venting Sash Width = (window width ÷ 2) - 4.226" (107) Total Sash Width = window width - 8.410" (214) Height = window height - 6.250" (159) |

Active-Stationary-Active (XOX) 1:2:1 Sash Ratio



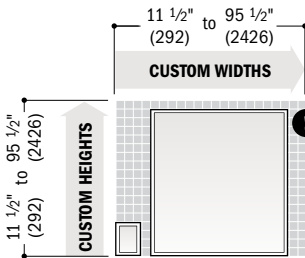
| | | | |
|--------------------------|---|--------------------------|---|
| Clear Opening | Width = (window width ÷ 4) - 2.976" (76) Height = window height - 3.500" (89) | Minimum R.O. | Width = window width + 1/2" (13) Height = window height + 1/2" (13) |
| Vent Opening | Width = (window width ÷ 2) - 5.952" (151) Height = window height - 3.500" (89) | Unobst. Glass | Fixed Sash Width = (window width ÷ 2) - 1.868" (47) Venting Sash Width = (window width ÷ 4) - 4.351" (111) Total Sash Width = window width - 10.570" (268) Height = window height - 6.250" (159) |

Active-Stationary-Active (XOX) 1:1:1 Equal Sash Ratio

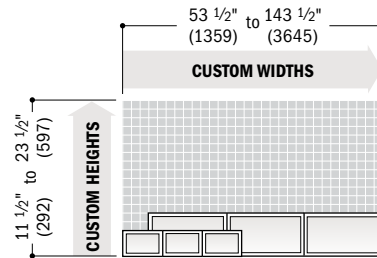
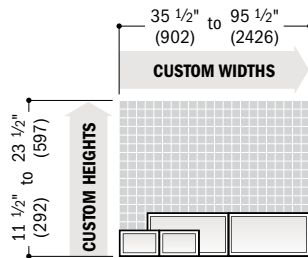


| | | | |
|--------------------------|---|--------------------------|--|
| Clear Opening | Width = (window width ÷ 3) - 5.164" (131) Height = window height - 3.500" (89) | Minimum R.O. | Width = window width + 1/2" (13) Height = window height + 1/2" (13) |
| Vent Opening | Width = (window width ÷ 3) - 5.164" (131) Height = window height - 3.500" (89) | Unobst. Glass | Fixed Sash Width = (window width ÷ 3) - 3.496" (89) Venting Sash Width = (window width ÷ 3) - 3.537" (90) Total Sash Width = window width - 10.570" (268) Height = window height - 6.250" (159) |

Picture and Transom Windows



! Either height or width must be 71 1/2" (1816) or less.



Triple transom windows with unequal sash are not available in custom sizes.

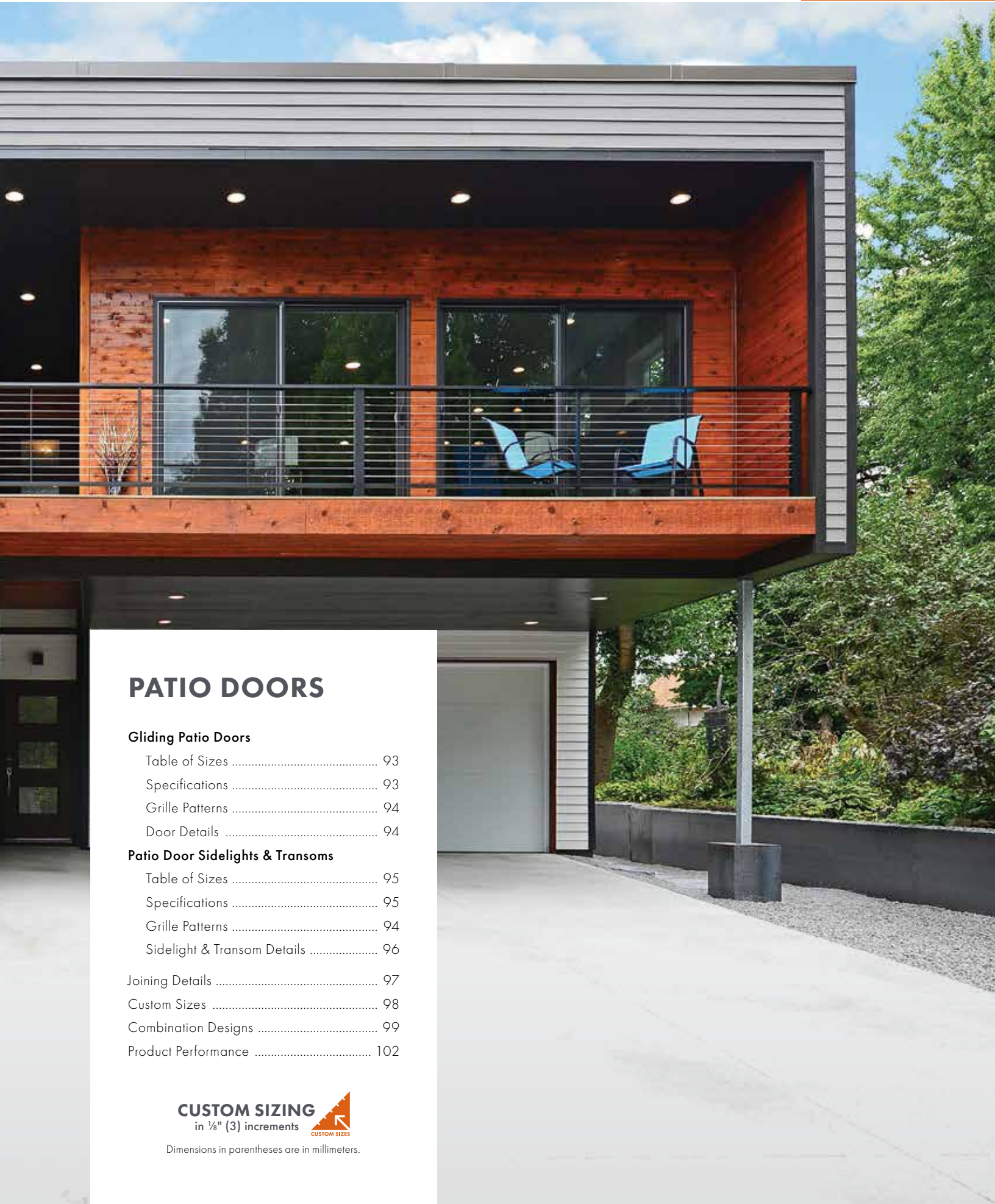
Picture and Single Transom

| | |
|--------------------------|--|
| Minimum R.O. | Width = window width + 1/2" (13) Height = window height + 1/2" (13) |
| Unobst. Glass | Width = window width - 6.250" (159) Height = window height - 6.250" (159) |

Twin and Triple Transom

| | | |
|--------------------------|--|--|
| Minimum R.O. | Twin Width = window width + 1/2" (13) Height = window height + 1/2" (13) | Triple Width = window width + 1/2" (13) Height = window height + 1/2" (13) |
| Unobst. Glass | Twin Single Sash Width = (window width ÷ 2) - 6.500" (165) Total Sash Width = window width - 13.000" (330) Height = window height - 6.250" (159) | Triple Single Sash Width = (window width ÷ 3) - 6.583" (167) Total Sash Width = window width - 19.750" (502) Height = window height - 6.250" (159) |

* **Clear Opening** formulas provide dimensions for determining area available for egress. **Vent Opening** formulas provide dimensions for determining area available for passage of air. **Minimum R.O.** (minimum rough opening) formulas provide minimum rough opening width and height dimensions. **Unobst. Glass** (unobstructed glass) formulas provide dimensions for determining area available for passage of light.
* Dimensions in parentheses are in millimeters.



PATIO DOORS

Gliding Patio Doors

| | |
|-----------------------|----|
| Table of Sizes | 93 |
| Specifications | 93 |
| Grille Patterns | 94 |
| Door Details | 94 |

Patio Door Sidelights & Transoms

| | |
|-----------------------------------|-----|
| Table of Sizes | 95 |
| Specifications | 95 |
| Grille Patterns | 94 |
| Sidelight & Transom Details | 96 |
| Joining Details | 97 |
| Custom Sizes | 98 |
| Combination Designs | 99 |
| Product Performance | 102 |

CUSTOM SIZING
in 1/8" (3) increments 
CUSTOM SIZES

Dimensions in parentheses are in millimeters.

PATIO DOORS

FEATURES

GLIDING PATIO DOORS

FRAME

A The frame is constructed with Fibrex® composite material. This construction produces a rigid frame.

B Durable, low-maintenance finish won't fade, flake, blister or peel.

Factory-assembled doors arrive at the job site ready to install.

C Dual felt weatherstrip, applied on the inside pocket of both side jambs and the head jamb, creates a positive seal between the frame and panels. The result is a long-lasting, energy-efficient barrier against wind, water and dust.

A full-length combination weatherstrip/interlock system provides a flexible seal at the meeting stile.

Three frame options include:

- 1 3/8" (35) flange setback for siding applications. An integral rigid vinyl flange helps seal the unit to the structure.
- 1" (25) flange setback with stucco key. An integral rigid vinyl flange helps seal the unit to the structure.
- No-flange option for door replacement in an existing framed opening.

PANEL

D Fibrex material construction provides long-lasting performance. The panel, finished with a durable capping, provides maximum protection and a matte, low-maintenance finish.

E Dual corrosion-resistant* ball-bearing rollers on the operating door panel provide smooth operation with self-contained leveling adjusters. The rollers have deep grooves to increase engagement with the roller track and resist lateral movement. Metal reinforcement inserted into the panel stiles provides additional stability.

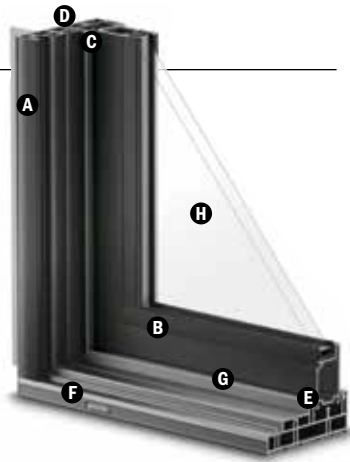
SILL

F The one-piece sill design with weep holes located on the sill exterior provides superior water management. The heavy-gauge PVC construction is wear resistant and neutral gray in color.

G The roller track has a stainless steel cap that resists denting for smooth, reliable operation.

GLASS

A glazing bead and silicone provide superior weathertightness and durability.



H High-Performance options include:

- Low-E SmartSun™ tempered glass
- Low-E SmartSun HeatLock® tempered glass
- Low-E tempered glass
- Low-E HeatLock tempered glass
- Low-E Sun tempered glass
- Low-E PassiveSun® tempered glass
- Low-E PassiveSun HeatLock tempered glass
- Clear Dual-Pane tempered glass

Additional glass options are available. Contact your Andersen supplier.

A removable translucent film helps shield the glass from damage during delivery and construction, and simplifies finishing at the job site.

Patterned Glass

Patterned glass options are available. See page 12 for more details.

Glass Spacers



Glass spacers are now available in black, in addition to stainless steel, to provide more ways to customize project designs and achieve a contemporary look. (E-Series window is shown above.)

HARDWARE

Locking System



A two-point locking system engages a steel receiver plate that's secured into the side jamb. This provides enhanced security and a weathertight seal, with the operating panel pulled tightly into the jamb.

COLOR OPTIONS

EXTERIOR COLORS



INTERIOR COLORS



HARDWARE



Standard Handle

Optional Handle

TULSA

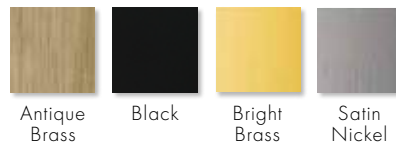
Exterior handle matches the door's exterior color. Interior handle matches the door's interior color. Dark bronze exterior and white interior shown.

AFTON

Antique Brass | Black
Bright Brass | **Satin Nickel**

Bold name denotes finish shown.

AFTON HARDWARE FINISHES



Finishes shown are for Afton hardware only.

ACCESSORIES Sold Separately

HARDWARE

Auxiliary Foot Lock

Provides an extra measure of security when the door is in a locked position. Available in colors that coordinate with the interior.

GRILLES

Grilles are available in a variety of configurations. See page 13 for details.

INSECT SCREENS

Insect screens have charcoal gray fiberglass screen mesh. The latch mechanism is contained within the insect screen handle for easy operation. Frames are available in colors to match the door exterior.

SIDLIGHTS & TRANSOMS

Patio door sidelights and transoms are available. See pages 95-96.

*Visit andersenwindows.com/warranty for details.

**Products with Sandtone, dark bronze and black interiors have matching exteriors.

Dimensions in parentheses are in millimeters.

Printing limitations prevent exact replication of colors and finishes. See your Andersen supplier for actual color and finish samples.

Patio Door Heights

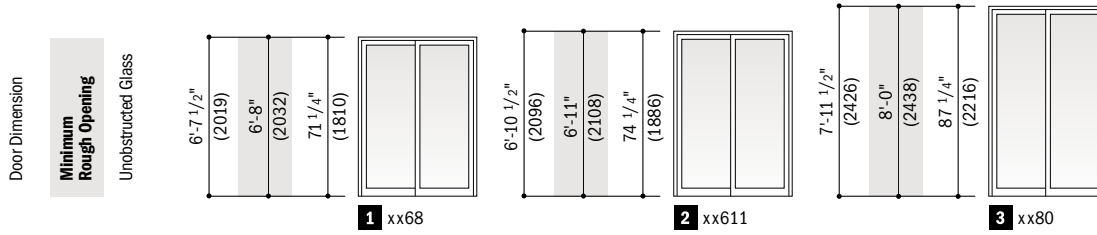


Table of Gliding Patio Doors Sizes

Scale 1/8" (3) = 1'-0" (305) – 1:96

| Door Dimension | 4'-11 1/4" (1505) | 4'-11 1/4" (1505) | 5'-11 1/4" (1810) | 5'-11 1/4" (1810) |
|---|-------------------|-------------------|-------------------|-------------------|
| Minimum Rough Opening | 5'-0" (1524) | 5'-0" (1524) | 6'-0" (1829) | 6'-0" (1829) |
| Unobstructed Glass (width of single panel only) | 24 1/8" (613) | 24 1/8" (613) | 30 1/8" (765) | 30 1/8" (765) |

| 3 heights | 1 | 2 | 3 | 1 | 2 | 3 | 1 | 2 | 3 | 1 | 2 | 3 | |
|-----------|-------|-------|-------|--------|--------|-------|-------|--------|--------|---------|---------|--------|--------|
| 5068L | 5068R | 6068L | 6068R | 60611L | 60611R | 6080L | 6080R | 8068L* | 8068R* | 80611L* | 80611R* | 8080L* | 8080R* |



Custom-size patio doors are available in 1/8" (3) increments. See page 98 for custom sizes and specifications.

Arrow indicates direction of panel operation as viewed from the exterior. Details and grille patterns shown on page 94.

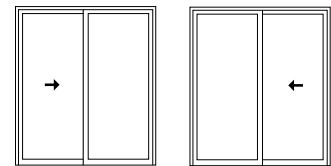
| Door Dimension | 7'-11 1/4" (2419) | 7'-11 1/4" (2419) |
|---|-------------------|-------------------|
| Minimum Rough Opening | 8'-0" (2438) | 8'-0" (2438) |
| Unobstructed Glass (width of single panel only) | 42 1/8" (1070) | 42 1/8" (1070) |

| 3 heights | 1 | 2 | 3 | 1 | 2 | 3 |
|-----------|--------|---------|---------|--------|--------|---|
| 8068L* | 8068R* | 80611L* | 80611R* | 8080L* | 8080R* | |

To meet or exceed a clear opening width of 32" (813), select a door width that requires a rough opening width of 6'-6" (1981) or greater.

Order Designation Description

Viewed from the exterior.



6068 L Door Rough Opening Left Gliding
6068 R Door Rough Opening Right Gliding

- *"Door Dimension" always refers to outside frame-to-frame dimension.
- *"Minimum Rough Opening" dimensions may need to be increased to allow for use of building wraps, flashing, sill panning, brackets, fasteners or other items. See page 110 for more details.
- *Dimensions in parentheses are in millimeters.
- *Meets or exceed a 32" (813) clear opening width.

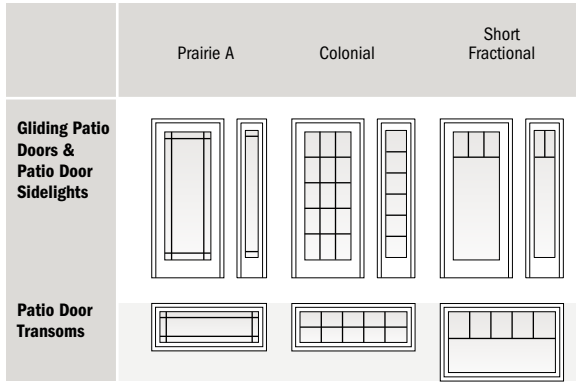
Gliding Patio Door Opening and Area Specifications

| Door Number | Clear Opening Area* Sq. Ft./ (m ²) | Clear Opening in Full Open Position | | Glass Area Sq. Ft./ (m ²) | Vent Area* Sq. Ft./ (m ²) | Overall Door Area Sq. Ft./ (m ²) |
|-------------|--|-------------------------------------|--------------------|---------------------------------------|---------------------------------------|--|
| | | Width* Inches/(mm) | Height Inches/(mm) | | | |
| 5068 | 12.38 (1.15) | 23 1/2" (597) | 75 7/8" (1927) | 23.87 (2.22) | 12.38 (1.15) | 32.71 (3.04) |
| 6068 | 15.54 (1.44) | 29 1/2" (749) | 75 7/8" (1927) | 31.27 (2.91) | 15.54 (1.44) | 39.34 (3.65) |
| 8068 | 21.87 (2.03) | 41 1/2" (1054) | 75 7/8" (1927) | 43.14 (4.01) | 21.87 (2.03) | 52.59 (4.89) |
| 50611 | 12.87 (1.20) | 23 1/2" (597) | 78 7/8" (2003) | 52.79 (4.90) | 12.87 (1.20) | 33.95 (3.15) |
| 60611 | 16.16 (1.50) | 29 1/2" (749) | 78 7/8" (2003) | 32.58 (3.03) | 16.16 (1.50) | 40.82 (3.79) |
| 80611 | 22.73 (2.11) | 41 1/2" (1054) | 78 7/8" (2003) | 44.96 (4.18) | 22.73 (2.11) | 54.57 (5.07) |
| 5080 | 14.99 (1.39) | 23 1/2" (597) | 91 7/8" (2334) | 31.02 (2.88) | 14.99 (1.39) | 39.29 (3.65) |
| 6080 | 18.82 (1.75) | 29 1/2" (749) | 91 7/8" (2334) | 38.29 (3.56) | 18.82 (1.75) | 47.25 (4.39) |
| 8080 | 26.48 (2.46) | 41 1/2" (1054) | 91 7/8" (2334) | 52.83 (4.91) | 26.48 (2.46) | 63.17 (5.87) |

- *Dimensions in parentheses are in millimeters or square meters.
- *For doors with Tulsa hardware only. Contact your Andersen supplier for doors with Afton hardware.

GLIDING PATIO DOORS

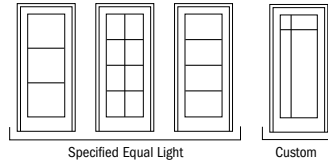
Grille Patterns



Number of lights and overall pattern varies with door size. Patterns shown may not be available for all sizes. Specified equal light and custom patterns are also available.

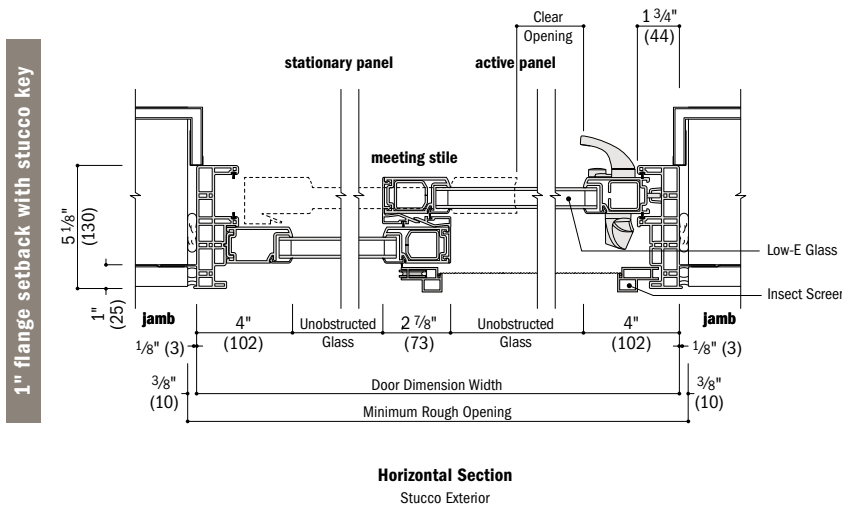
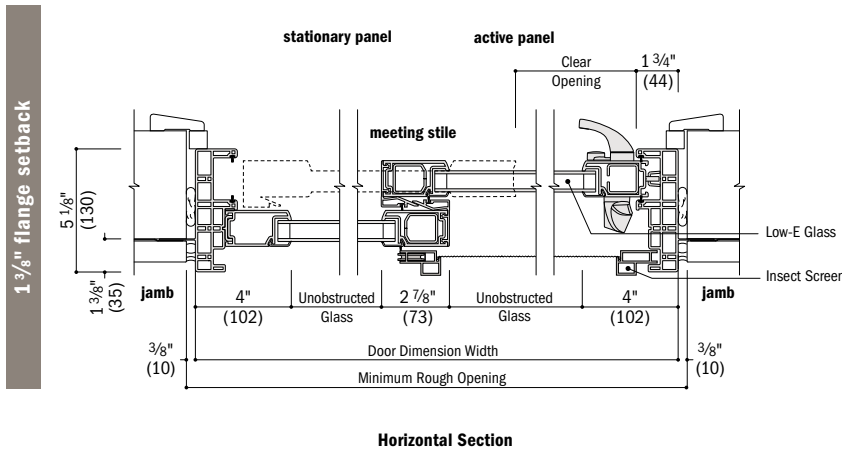
For specified equal light, specify number of same-size rectangles across or down.

For more information on divided light, see page 13 or visit andersenwindows.com/grilles.



Gliding Patio Door Details

Scale 1 1/2" (38) = 1'-0" (305) – 1:8



See page 97 for joining details.

* Drip cap is required to complete door installation as shown but may not be included with the door. Use of drip cap is recommended for proper installation.

* **Minimum rough openings may need to be increased to allow for use of building wraps, flashing, sill panning, brackets, fasteners or other items. See installation information on page 110.**

* Details are for illustration only and are not intended to represent product installation methods or materials. Refer to product installation instructions at andersenwindows.com.

* Dimensions in parentheses are in millimeters.

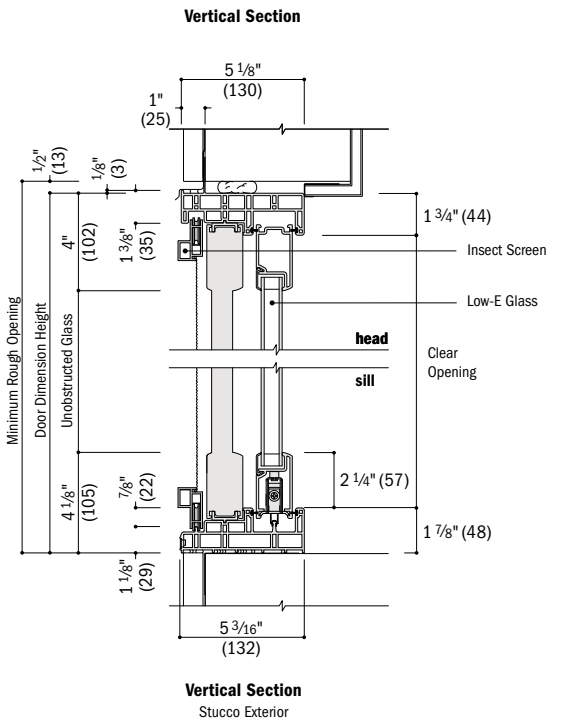
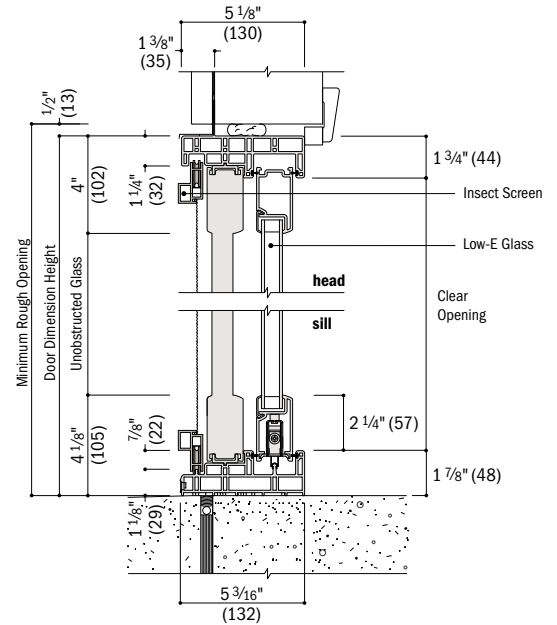


Table of Patio Door Transom and Sidelight Sizes

Scale 1/8" (3) = 1'-0" (305) – 1:96

| | | | | | | | | | |
|------------------------------|-----------------|-----------------|------------------|-----------------|------------------|-------------------|-------------------|-------------------|-------------------|
| Transom/Sidelight Dimension | 1'-2 1/4" (362) | 1'-5 1/4" (438) | 1'-11 1/4" (591) | 2'-5 1/4" (743) | 2'-11 1/4" (895) | 3'-11 1/4" (1200) | 4'-11 1/4" (1505) | 5'-11 1/4" (1810) | 7'-11 1/4" (2419) |
| Minimum Rough Opening | 1'-3" (381) | 1'-6" (457) | 2'-0" (610) | 2'-6" (762) | 3'-0" (914) | 4'-0" (1219) | 5'-0" (1524) | 6'-0" (1829) | 8'-0" (2438) |
| Unobstructed Glass | 6 3/16" (157) | 9 3/16" (233) | 15 3/16" (386) | 21 3/16" (538) | 27 3/16" (691) | 39 3/16" (995) | 51 3/16" (1300) | 63 3/16" (1605) | 87 3/16" (2215) |

CUSTOM WIDTHS – 14 1/4" to 95 1/4"

| | | | | | | | | | | | | | | | | | | |
|--|-----------------|-------------|-----------------|-------------|------------------|-------------|-----------------|------------------|-------------------|-------------------|-------------------|-------------------|------|------|------|------|------|------|
| CUSTOM HEIGHTS – 14 1/4" to 23 1/4" | 1'-2 1/4" (362) | 1'-3" (381) | 1'-5 1/4" (438) | 1'-6" (457) | 1'-11 1/4" (591) | 2'-0" (610) | 2'-5 1/4" (743) | 2'-11 1/4" (895) | 3'-11 1/4" (1200) | 4'-11 1/4" (1505) | 5'-11 1/4" (1810) | 7'-11 1/4" (2419) | | | | | | |
| | 1313 | 1316 | 1613 | 1616 | 2013 | 2016 | 2613 | 2616 | 3013 | 3016 | 4013 | 4016 | 5013 | 5016 | 6013 | 6016 | 8013 | 8016 |
| | 1320 | 1620 | 2020 | 2620 | 3020 | 4020 | 5020 | 6020 | 8020 | | | | | | | | | |

CUSTOM HEIGHTS – 79 1/2" to 95 1/2"

| | | | | | | |
|---|------------------|------------------|-------------------|------------------|------------------|-------|
| CUSTOM WIDTHS – 14 1/4" to 47 1/4" | 6'-7 1/2" (2019) | 6'-8" (2032) | 6'-10 1/2" (2096) | 6'-11" (2108) | 7'-1 1/2" (2166) | |
| | 1368 | 1668 | 2068 | 2668 | 3068 | 4068 |
| | 13611 | 16611 | 20611 | 26611 | 30611 | 40611 |
| 7'-11 1/2" (2426) | 8'-0" (2438) | 8'-1 1/4" (2446) | 8'-1 1/2" (2454) | 8'-1 3/4" (2462) | 8'-2" (2470) | |
| 1380 | 1680 | 2080 | 2680 | 3080 | 4080 | |



Custom-size doors are available in 1/8" (3) increments. See page 98 for custom sizes and specifications.

Details shown on page 96. Grille patterns shown on page 94.

- "Transom/Sidelight Dimension" always refers to outside frame-to-frame dimension.
- "Minimum Rough Opening" dimensions may need to be increased to allow for use of building wraps, flashing, sill panning, brackets, fasteners or other items. See page 110 for more details.
- Dimensions in parentheses are in millimeters.

Patio Door Sidelight Area Specifications

| Sidelight Number | Glass Area Sq. Ft./ (m ²) | Overall Window Area Sq. Ft./ (m ²) |
|------------------|---------------------------------------|--|
| 1368 | 3.06 (0.28) | 7.87 (0.73) |
| 13611 | 3.19 (0.30) | 8.16 (0.76) |
| 1380 | 3.75 (0.35) | 9.45 (0.88) |
| 1668 | 4.55 (0.42) | 9.52 (0.88) |
| 16611 | 4.74 (0.44) | 9.88 (0.92) |
| 1680 | 5.57 (0.52) | 11.44 (1.06) |
| 2068 | 7.51 (0.70) | 12.84 (1.19) |
| 20611 | 7.83 (0.73) | 13.32 (1.24) |
| 2080 | 9.20 (0.85) | 15.42 (1.43) |
| 2668 | 10.48 (0.97) | 16.15 (1.50) |
| 26611 | 10.92 (1.01) | 16.76 (1.56) |
| 2680 | 12.84 (1.19) | 19.40 (1.80) |
| 3068 | 13.45 (1.25) | 19.46 (1.81) |
| 30611 | 14.02 (1.30) | 20.20 (1.88) |
| 3080 | 16.47 (1.53) | 23.38 (2.17) |
| 4068 | 19.39 (1.80) | 26.09 (2.42) |
| 40611 | 20.21 (1.88) | 27.07 (2.51) |
| 4080 | 23.74 (2.21) | 31.34 (2.91) |

Patio Door Transom Area Specifications

| Transom Number | Glass Area Sq. Ft./ (m ²) | Overall Window Area Sq. Ft./ (m ²) |
|----------------|---------------------------------------|--|
| 1313 | 0.27 (0.03) | 1.41 (0.13) |
| 1316 | 0.40 (0.04) | 1.71 (0.16) |
| 1320 | 0.65 (0.06) | 2.30 (0.21) |
| 1613 | 0.40 (0.04) | 1.71 (0.16) |
| 1616 | 0.59 (0.05) | 2.07 (0.19) |
| 1620 | 0.97 (0.09) | 2.79 (0.26) |
| 2013 | 0.65 (0.06) | 2.30 (0.21) |
| 2016 | 0.97 (0.09) | 2.79 (0.26) |
| 2020 | 1.61 (0.15) | 3.75 (0.35) |
| 2613 | 0.91 (0.09) | 2.90 (0.27) |
| 2616 | 1.35 (0.13) | 3.50 (0.33) |
| 2620 | 2.24 (0.21) | 4.72 (0.44) |
| 3013 | 1.17 (0.11) | 3.49 (0.32) |
| 3016 | 1.74 (0.16) | 4.22 (0.39) |
| 3020 | 2.87 (0.27) | 5.69 (0.53) |
| 4013 | 1.69 (0.16) | 4.68 (0.43) |
| 4016 | 2.50 (0.23) | 5.66 (0.53) |
| 4020 | 4.13 (0.39) | 7.63 (0.71) |

| Transom Number | Glass Area Sq. Ft./ (m ²) | Overall Window Area Sq. Ft./ (m ²) |
|----------------|---------------------------------------|--|
| 5013 | 2.20 (0.20) | 5.86 (0.55) |
| 5016 | 3.27 (0.30) | 7.10 (0.66) |
| 5020 | 5.40 (0.50) | 9.57 (0.89) |
| 6013 | 2.72 (0.25) | 7.05 (0.66) |
| 6016 | 4.03 (0.38) | 8.54 (0.79) |
| 6020 | 6.67 (0.62) | 11.50 (1.07) |
| 8013 | 3.75 (0.35) | 9.43 (0.88) |
| 8016 | 5.56 (0.52) | 11.41 (1.06) |
| 8020 | 9.20 (0.85) | 15.38 (1.43) |

• Dimensions in parentheses are in square meters.

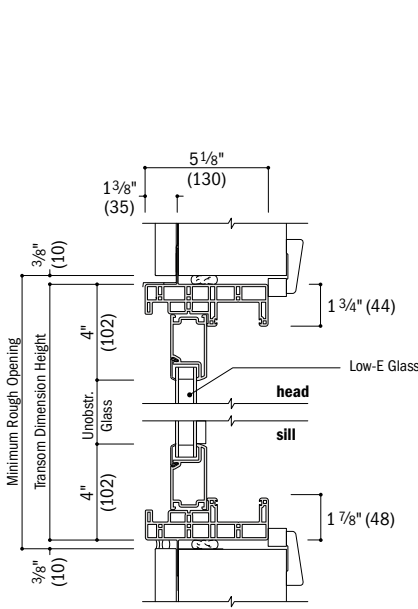
• Dimensions in parentheses are in square meters.

PATIO DOOR SIDELIGHTS & TRANSOMS

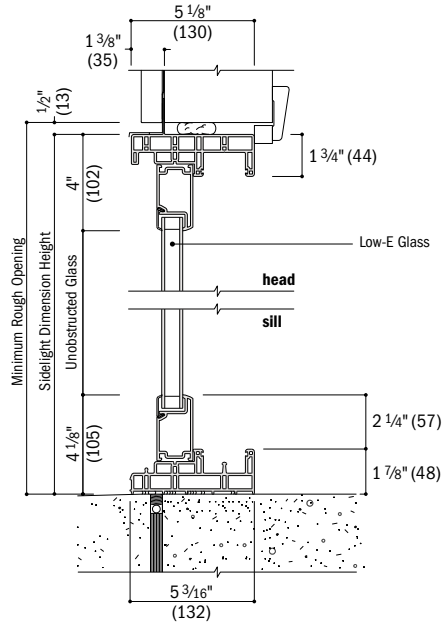
Patio Door Sidelight and Transom Details

Scale 1 1/2" (38) = 1'-0" (305) – 1:8

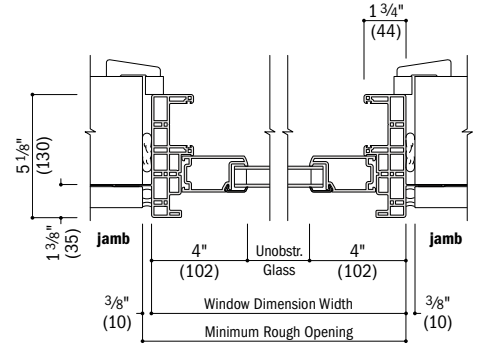
1 3/8" flange setback



Vertical Section
Patio Door Transom

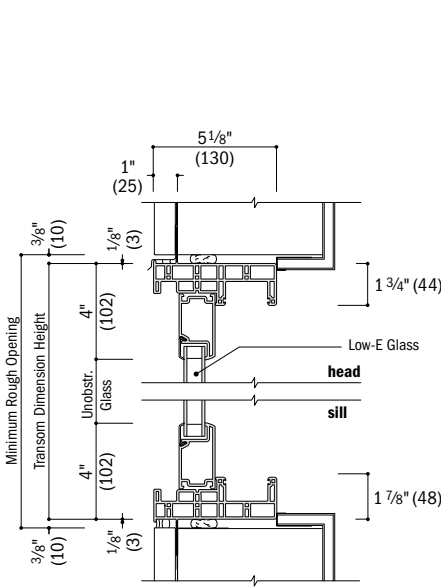


Vertical Section
Patio Door Sidelight

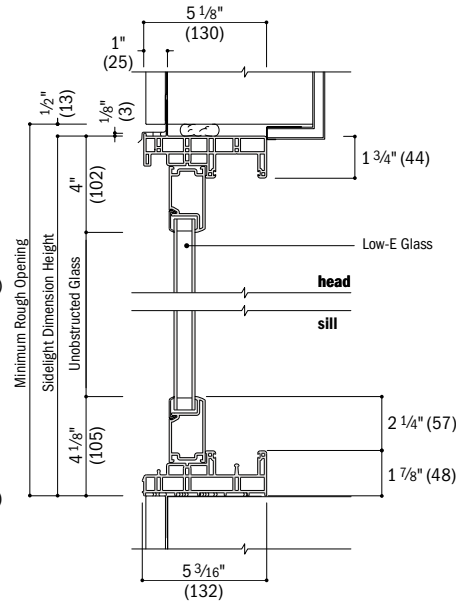


Horizontal Section
Patio Door Sidelight/Transom

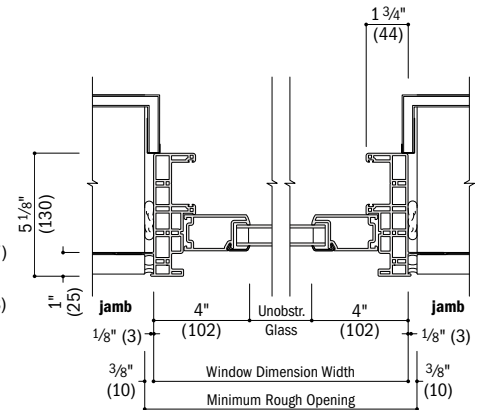
1" flange setback with stucco key



Vertical Section
Patio Door Transom – Stucco Exterior



Vertical Section
Patio Door Sidelight – Stucco Exterior



Horizontal Section
Patio Door Sidelight/Transom – Stucco Exterior

See page 97 for joining details.

- Drip cap is required to complete sidelight and transom installation as shown, but may not be included with the sidelight and transom. Use of drip cap is recommended for proper installation.
- **Minimum rough openings may need to be increased to allow for use of building wraps, flashing, sill panning, brackets, fasteners or other items. See installation information on page 110.**
- Details are for illustration only and are not intended to represent product installation methods or materials. Refer to product installation instructions at andersenwindows.com.
- Dimensions in parentheses are in millimeters.

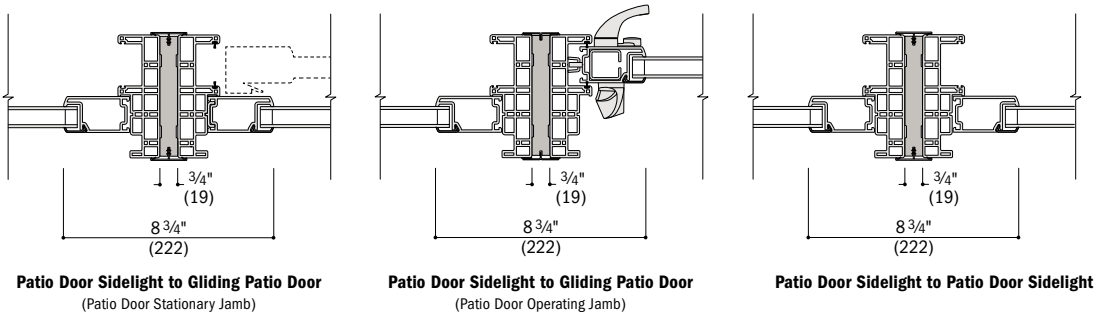
Vertical (ribbon) Joining Details

Scale 1 1/2" (38) = 1'-0" (305) – 1:8

Overall Door-Sidelight or Sidelight-Sidelight Dimension Width – Sum of individual door-sidelight or sidelight-sidelight widths plus 3/4" (19).

Overall Minimum Rough Opening Width – Overall dimension width plus 3/4" (19).

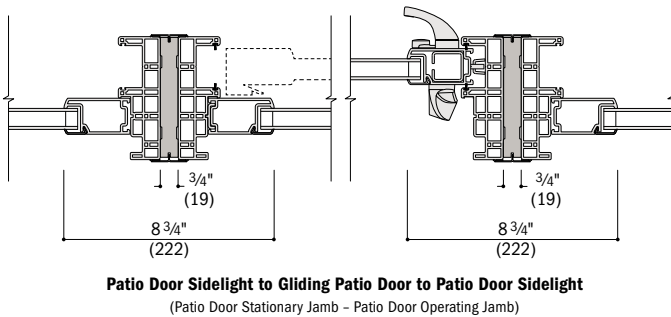
The addition of joining materials will affect the overall rough opening dimension. See page 110.



Overall Sidelight-Door-Sidelight Dimension Width – Sum of individual sidelight-door-sidelight widths plus 1 1/2" (38).

Overall Minimum Rough Opening Width – Overall dimension width plus 3/4" (19).

The addition of joining materials will affect the overall rough opening dimension. See page 110.



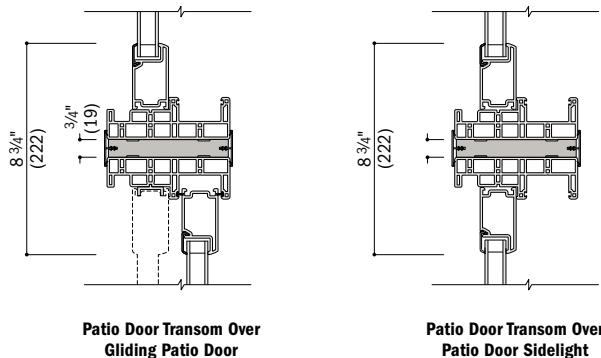
Horizontal (stack) Joining Details

Scale 1 1/2" (38) = 1'-0" (305) – 1:8

Overall Transom/Door or Transom/Sidelight Dimension Height – Sum of individual transom/door or transom/sidelight heights plus 3/4" (19).

Overall Minimum Rough Opening Height – Overall dimension height plus 1/2" (13).

The addition of joining materials will affect the overall rough opening dimension. See page 110.



For more information on joining, refer to the combination designs section starting on page 99.

- Minimum rough openings may need to be increased to allow for use of building wraps, flashing, sill panning, brackets, fasteners or other items. See installation information on page 110.
- Details are for illustration only and are not intended to represent product installation methods or materials. Refer to product installation instructions at andersenwindows.com.
- Structural performance of any combination is only as high as the lowest structural performance of any individual unit or join in the combination.
- Contact your Andersen supplier for information on meeting wind load requirements for patio door joined combinations.

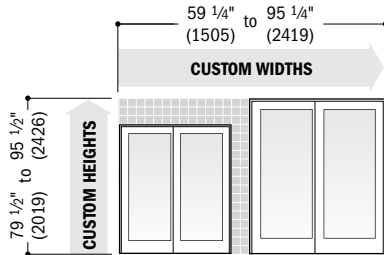
PATIO DOOR CUSTOM SIZES

Custom Sizes and Specification Formulas

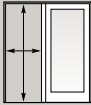
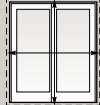
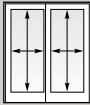


100 Series custom-size patio doors and patio door sidelights and transoms are available in 1/8" (3) increments between minimum and maximum widths and heights shown. Some restrictions apply.

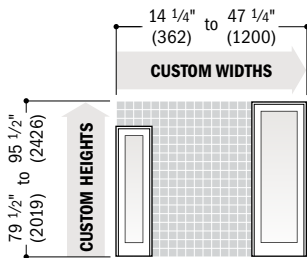
Gliding Patio Doors

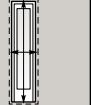
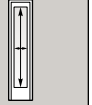


To meet or exceed a clear opening width of 32" (813), select a custom-size door width that requires a rough opening width of 6'-6" (1981) or greater.

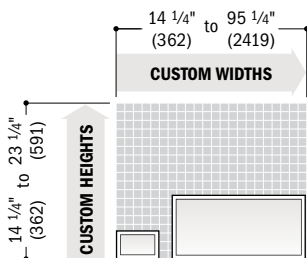
| Clear Opening | Minimum R.O. | Unobst. Glass |
|--|---|---|
|  Width = (door width + 2) - 6.125" (156) Height = door height - 3.625" (92) |  Width = door width + 3/4" (19) Height = door height + 1/2" (13) |  Single-Panel Width = (door width + 2) - 5.500" (140) Two-Panel Width = door width - 11.000" (279) Height = door height - 8.250" (210) |

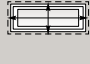
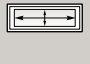
Patio Door Sidelights



| Minimum R.O. | Unobst. Glass |
|---|--|
|  Width = sidelight width + 3/4" (19) Height = sidelight height + 1/2" (13) |  Width = sidelight width - 8.048" (204) Height = sidelight height - 8.048" (204) |

Patio Door Transoms



| Minimum R.O. | Unobst. Glass |
|---|--|
|  Width = transom width + 3/4" (19) Height = transom height + 3/4" (19) |  Width = transom width - 8.048" (204) Height = transom height - 8.048" (204) |

* **Clear Opening** formulas provide dimensions for determining area available for egress. Vent opening, or area available for passage of air, is equal to clear opening. **Minimum R.O.** (minimum rough opening) formulas provide minimum rough opening width and height dimensions. **Unobst. Glass** (unobstructed glass) formulas provide dimensions for determining area available for passage of light.

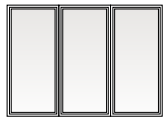
* Dimensions in parentheses are in millimeters.

Andersen® window and patio doors make it easy to create a wide variety of combination designs

Combination Types

Ribbons are horizontal window combinations (vertical joins) where opposite ends (head and sill) of individual windows are fastened to the building structure. Stacks are vertical window combinations (horizontal joins) where opposite sides (both side jambs) of individual windows are fastened to the building structure. One-way configurations or two-way configurations are used in combination designs.

One-Way



Ribbon Combination



Stack Combination

Two-Way



Multiple Ribbon/Stack Combination

Two-way combinations exist when multiple vertical stacks and horizontal ribbons are joined together. Unlike one-way combinations, the adjacent sides (head and sill, or both side jambs) of individual units are not necessarily fastened directly to the building structure. Two-way combinations are joined with both vertical and horizontal joining material, and may require reinforced joining materials and brackets depending on the local building code requirement for design wind load (measured in pounds per square foot, psf).

Determining Design Wind Load Performance

Proper combination design in conformance with local wind load requirements is vital to the success of your project. To make sure a combination is safe and that it complies with local building codes, the combination design wind load performance capacity must be determined. Correctly determining this performance capacity involves the following three steps:

STEP 1: Determine Building Code Requirement

Make sure you have the proper local codes and have identified specified compliance values. This calculated value (psf) will be used to determine if the combination will be acceptable (STEP 3).



STEP 2: Determine Product Performance

Compare product Design Pressure Rating data to the local building code (psf) requirement. This will show whether the individual units in a combination design are acceptable.



STEP 3: Determine Combination Performance

This step helps determine whether a given product, size, configuration and joining material type will meet the local building code design wind load requirement. To determine what joining material type to use (non-reinforced or reinforced), compare the local building code design wind load requirement to the design wind load table value for a particular joining material on the following pages.

For a successful installation, designed to provide the required design pressure, it is important that Andersen joining materials and installation accessories be specified by a project architect or contractor. Andersen joining materials create a joining system that maintains the look of Andersen® products without sacrificing performance. Check with your Andersen supplier for more information.

The addition of joining materials will affect the overall rough opening dimension. See page 110. **Instruction guides are available at andersenwindows.com. Read and follow instruction guides in their entirety.**

Andersen Trim and End Caps – Interior trim is included with each joining kit for finishing the join on the interior. Exterior trim strip and trim strip end caps are included with each kit for finishing the exterior join.

Materials vary depending on type of units being joined and wind load requirements. Non-reinforced joining materials are used to create alignment and positive joining between windows. Joining materials are not connected to the rough opening structure.

Reinforced joining materials are used to create product alignment, positive joining and load transfer between the Andersen windows and doors and the rough opening. They provide added strength capable of withstanding a variety of wind load pressures. The structural performance of any combination is only as high as the lowest structural performance rating of any individual window or joining material in the combination.

Please contact your Andersen supplier for specific performance and product recommendations.

Combination Designs,
Product Performance
& Installation

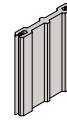
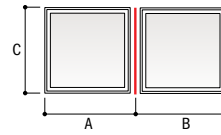
COMBINATION DESIGNS

1-Way Non-Reinforced Fiberglass Joining

100 Series Windows: Picture to Picture, Casement to Casement, Awning to Awning, Casement to Picture, Awning to Picture

Applicable for flanged or flangeless installations into wood, metal, concrete or masonry.

| | | | | | | | | |
|-----------------------------------|-------------------------------|------------------------|------------------------|------------------------|------------------------|------------------------|------------------------|----|
| Average Adjacent Window Dimension | $(A+B) \div 2 = 6'-0"$ (1829) | 50 | 50 | 43 | 37 | 32 | 29 | 26 |
| | $(A+B) \div 2 = 5'-6"$ (1676) | 50 | 50 | 44 | 38 | 33 | 30 | 27 |
| | $(A+B) \div 2 = 5'-0"$ (1524) | 50 | 50 | 45 | 39 | 35 | 31 | 28 |
| | $(A+B) \div 2 = 4'-6"$ (1372) | 50 | 50 | 46 | 41 | 36 | 33 | 30 |
| | $(A+B) \div 2 = 4'-0"$ (1219) | 50 | 50 | 49 | 43 | 39 | 35 | 32 |
| | $(A+B) \div 2 = 3'-6"$ (1067) | 50 | 50 | 50 | 47 | 42 | 39 | 36 |
| | $(A+B) \div 2 = 3'-0"$ (914) | 50 | 50 | 50 | 50 | 47 | 43 | 40 |
| | $(A+B) \div 2 = 2'-6"$ (762) | 50 | 50 | 50 | 50 | 50 | 50 | 46 |
| | $(A+B) \div 2 = 2'-0"$ (610) | 50 | 50 | 50 | 50 | 50 | 50 | 50 |
| C = (length of join) | 5'-0" (1524) | 5'-6" (1676) | 6'-0" (1829) | 6'-6" (1981) | 7'-0" (2134) | 7'-6" (2286) | 8'-0" (2438) | |



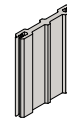
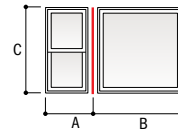
$\frac{1}{2}"$ (13) x $3\frac{1}{4}"$ (83)
Fiberglass Joining Material

1-Way Non-Reinforced Fiberglass Joining

100 Series Windows: Single-Hung to Picture, Gliding to Picture

Applicable for flanged or flangeless installations into wood, metal, concrete or masonry.

| | | | | | | | | |
|-----------------------------|-------------------------------|------------------------|------------------------|------------------------|------------------------|------------------------|------------------------|----|
| Avg. Adjacent Window Dim. | $(A+B) \div 2 = 5'-0"$ (1524) | 50 | 50 | 45 | 39 | 35 | 31 | 28 |
| | $(A+B) \div 2 = 4'-6"$ (1372) | 50 | 50 | 46 | 41 | 36 | 33 | 30 |
| | $(A+B) \div 2 = 4'-0"$ (1219) | 50 | 50 | 49 | 43 | 39 | 35 | 32 |
| | $(A+B) \div 2 = 3'-6"$ (1067) | 50 | 50 | 50 | 47 | 42 | 39 | 36 |
| | $(A+B) \div 2 = 3'-0"$ (914) | 50 | 50 | 50 | 50 | 47 | 43 | 40 |
| | $(A+B) \div 2 = 2'-6"$ (762) | 50 | 50 | 50 | 50 | 50 | 50 | 46 |
| | $(A+B) \div 2 = 2'-0"$ (610) | 50 | 50 | 50 | 50 | 50 | 50 | 50 |
| C = (length of join) | 5'-0" (1524) | 5'-6" (1676) | 6'-0" (1829) | 6'-6" (1981) | 7'-0" (2134) | 7'-6" (2286) | 8'-0" (2438) | |



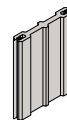
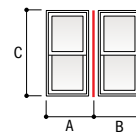
$\frac{1}{2}"$ (13) x $3\frac{1}{4}"$ (83)
Fiberglass Joining Material

1-Way Non-Reinforced Fiberglass Joining

100 Series Windows: Single-Hung to Single-Hung, Gliding to Gliding, Single-Hung to Casement, Single-Hung to Awning

Applicable for flanged or flangeless installations into wood, metal, concrete or masonry.

| | | | | | | | | |
|-----------------------------|-------------------------------|------------------------|------------------------|------------------------|------------------------|------------------------|------------------------|----|
| Avg. Adj. Window Dim. | $(A+B) \div 2 = 4'-0"$ (1219) | 50 | 50 | 49 | 43 | 39 | 34 | 30 |
| | $(A+B) \div 2 = 3'-6"$ (1067) | 50 | 50 | 50 | 47 | 42 | 38 | 33 |
| | $(A+B) \div 2 = 3'-0"$ (914) | 50 | 50 | 50 | 50 | 47 | 43 | 38 |
| | $(A+B) \div 2 = 2'-6"$ (762) | 50 | 50 | 50 | 50 | 50 | 50 | 45 |
| | $(A+B) \div 2 = 2'-0"$ (610) | 50 | 50 | 50 | 50 | 50 | 50 | 50 |
| C = (length of join) | 5'-0" (1524) | 5'-6" (1676) | 6'-0" (1829) | 6'-6" (1981) | 7'-0" (2134) | 7'-6" (2286) | 8'-0" (2438) | |



$\frac{1}{2}"$ (13) x $3\frac{1}{4}"$ (83)
Fiberglass Joining Material

• Numerical values in charts represent structural pressure only.

• Structural performance of any combination is only as high as the lowest structural performance of any individual unit or joining material in the combination.

• Andersen® products must be installed and anchored properly according to joining and installation guides to meet rated structural performance. Refer to product joining and installation guides at andersenwindows.com.

• Single transom windows use "picture" frame type. Integral transom windows use "single-hung" frame type. Combination performance should be determined accordingly.

• Dimensions in parentheses are in millimeters.

PERFORMANCE STANDARDS

The Window and Door Manufacturers Association (WDMA), the American Architectural Manufacturers Association (AAMA) and the Canadian Standards Association (CSA) jointly release the North American Fenestration Standard/Specification for Windows, Doors and Skylights (NAFS-11) where “-11” refers to the most recent publication year of 2011. NAFS is also referred to as AAMA/WDMA/CSA 101/I.S.2/A440, which is how the International Code Council (ICC) lists this standard in the 2012, 2015 and 2018 International Residential Code (IRC) and International Building Code (IBC) as the means to indicate the window, door or skylights design pressure rating used to determine compliance to the job site design pressure requirements.

A product only achieves a “Performance Grade” or “PG” rating when it complies with all of the NAFS performance requirements such as ease of operation, air infiltration resistance, resistance to water penetration and resistance to forced entry, etc. A “Design Pressure Rating” or “DP” rating only depicts the design and structural load performance.

Performance Classes

The NAFS Standard/Specification defines requirements for four performance classes. Performance classes are designated R, LC, CW and AW. This classification system provides for several levels of performance. Product selection is always based on the performance and building code requirements of the particular project.

Elements of Performance Grade (PG) Designations

In order to qualify for a given performance grade (PG), test specimens need to pass all required performance tests for the following, in addition to all required auxiliary (durability) and applicable material/component tests (not shown here) for the applicable product type and desired performance class:

- (a) Operating force (if applicable):** Maximum operating force varies by product type and performance class.
- (b) Air leakage resistance:** Tested in accordance with ASTM E283 at a test pressure of 1.57 psf. Allowable air infiltration for R, LC and CW class designations is 0.3 cubic feet per minute per square foot of frame (cfm/ft²).
- (c) Water penetration resistance:** Tested in accordance with ASTM E547 with the specified test pressure applied per NAFS-11. Test consists of four cycles. Each cycle consists of five minutes with pressure applied and one minute with the pressure released, during which the water spray is continuously applied. Water spray shall be uniformly applied at a constant rate of 5 U.S. gal/ft² · hr.
- (d) Uniform load deflection test:** Tested in accordance with ASTM E330 for both positive and negative pressure (pressure defined by NAFS-11) with the load maintained for a period of 10 seconds. The test specimen shall be evaluated for deflection during each load for permanent damage after each load and for any effects on the normal operation of the specimen. *Starting with the 2008 version of NAFS, design pressure (DP) will only represent the “uniform load deflection test.”*
- (e) Uniform load structural test:** Tested in accordance with ASTM E330 for both positive and negative pressure (pressure defined by NAFS-11) with the load maintained for a period of 10 seconds. After loads are removed, there shall be no permanent deformation in excess of 0.4% of its span and no damage to the unit, which would make it inoperable.
- (f) Forced-entry resistance (if applicable):** Tested in accordance with ASTM F588 (windows), F476 (swinging doors) and F842 (sliding doors) at a performance level 10 rating.

Performance Grades (PG) and Corresponding Test Pressures (psf)

| Performance Class/ Performance Grade | | Air Infiltration Test Pressure | | Maximum Allowable Air Infiltration/ Exfiltration Rate | | Water Penetration Resistance Test Pressure | | Design Pressure | | Structural Test Pressure | |
|--------------------------------------|-----|--------------------------------|------|---|---------------------|--|-------|-----------------|--------|--------------------------|--------|
| R | LC | Pa | psf | L/s-m ² | cfm/ft ² | Pa | psf | Pa | psf | Pa | psf |
| 15 | - | 75 | 1.57 | 1.5 | 0.30 | 140 | 2.92 | 720 | 15.04 | 1080 | 22.56 |
| 20 | - | 75 | 1.57 | 1.5 | 0.30 | 150 | 3.13 | 960 | 20.05 | 1440 | 30.08 |
| 25 | 25 | 75 | 1.57 | 1.5 | 0.30 | 180 | 3.76 | 1200 | 25.06 | 1800 | 37.59 |
| 30 | 30 | 75 | 1.57 | 1.5 | 0.30 | 220 | 4.59 | 1440 | 30.08 | 2160 | 45.11 |
| 35 | 35 | 75 | 1.57 | 1.5 | 0.30 | 260 | 5.43 | 1680 | 35.09 | 2520 | 52.63 |
| 40 | 40 | 75 | 1.57 | 1.5 | 0.30 | 290 | 6.06 | 1920 | 40.10 | 2880 | 60.15 |
| 45 | 45 | 75 | 1.57 | 1.5 | 0.30 | 330 | 6.89 | 2160 | 45.11 | 3240 | 67.67 |
| 50 | 50 | 75 | 1.57 | 1.5 | 0.30 | 360 | 7.52 | 2400 | 50.13 | 3600 | 75.19 |
| 55 | 55 | 75 | 1.57 | 1.5 | 0.30 | 400 | 8.35 | 2640 | 55.14 | 3960 | 82.71 |
| 60 | 60 | 75 | 1.57 | 1.5 | 0.30 | 440 | 9.19 | 2880 | 60.15 | 4320 | 90.23 |
| 65 | 65 | 75 | 1.57 | 1.5 | 0.30 | 470 | 9.82 | 3120 | 65.16 | 4680 | 97.74 |
| 70 | 70 | 75 | 1.57 | 1.5 | 0.30 | 510 | 10.65 | 3360 | 70.18 | 5040 | 105.26 |
| 75 | 75 | 75 | 1.57 | 1.5 | 0.30 | 540 | 11.28 | 3600 | 75.19 | 5400 | 112.78 |
| 80 | 80 | 75 | 1.57 | 1.5 | 0.30 | 580 | 12.11 | 3840 | 80.20 | 5760 | 120.30 |
| 85 | 85 | 75 | 1.57 | 1.5 | 0.30 | 580 | 12.11 | 4080 | 85.21 | 6120 | 127.82 |
| 90 | 90 | 75 | 1.57 | 1.5 | 0.30 | 580 | 12.11 | 4320 | 90.23 | 6480 | 135.34 |
| 95 | 95 | 75 | 1.57 | 1.5 | 0.30 | 580 | 12.11 | 4560 | 95.24 | 6840 | 142.86 |
| 100 | 100 | 75 | 1.57 | 1.5 | 0.30 | 580 | 12.11 | 4800 | 100.25 | 7200 | 150.38 |

HALLMARK CERTIFICATION

The Window and Door Manufacturers Association (WDMA)-sponsored Hallmark Certification Program provides manufacturers with certification to the AAMA/WDMA/CSA 101/I.S.2/A440-11 Standard and is designed to provide builders, architects, specifiers and consumers with an easily recognizable means of identifying products that have been manufactured and tested in accordance with NAFS (AAMA/WDMA/CSA 101/I.S.2/A440) industry standards and other applicable performance standards. Conformance is determined by periodic in-plant inspections by a third-party administrator. Inspections include auditing licensee quality control procedures and processes, and a review to confirm products are manufactured in accordance with the appropriate performance standards. Periodic testing of representative product constructions and components by an independent testing laboratory is also required. When all of the program requirements are met, the licensee is authorized to use the WDMA Hallmark registered logo on their certification label as a means of identifying products and their performance ratings.

Products successfully obtaining Hallmark Certification will be labeled with a three-part code, which includes performance class, performance grade and size tested. In addition to this mandatory requirement, you are allowed to list the design pressure on a separate line.

| | |
|---|--|
| | Andersen Corporation 100 SERIES CASEMENT WINDOW Manufacturer stipulates certification as indicated below. |
| | STANDARDS: AAMA/WDMA/CSA 101/I.S.2/A440-11 / AAMA/WDMA/CSA 101/I.S.2/A440-08 |
| RATING: Class LC ⁽¹⁾ - PG40 ⁽²⁾ - Size Tested 71.5 x 71.5 in. ⁽³⁾ DP+40/-45 ⁽⁴⁾ | |

- (1) - Performance Class
- (2) - Performance Grade
- (3) - Size Tested
- (4) - Design Pressure

In the example above, the performance class is LC, the performance grade (PG) is 40 pounds per square foot (psf) and the size tested is 71.5" x 71.5". What this means to the specifier is, based on the performance grade chart, the laboratory-tested air infiltration was less than 0.3 cfm/ft² (test pressure is always 1.57 psf and the allowable airflow is 0.3 cfm/ft²), the product tested successfully resisted a laboratory water penetration test at a test pressure of 6.0 psf, the product tested successfully withstood a laboratory positive test pressure of 60 psf and a laboratory negative test pressure of 67 psf, and the product tested passed the laboratory requirements for operational force and forced-entry resistance. Based on this test, all products of the same design that are smaller than the tested size can be labeled with this product performance rating.

IMPORTANT

Building codes prescribe design pressure based on a variety of criteria (i.e., windspeed zone, building height, building type, job site exposure, etc.). Design pressures derived from Performance Grade (PG) test requirements should be used to determine compliance to building code required design pressures. Structural test pressures, which are tested at 1.5 times the design pressure, should not be used for determining design pressure code compliance. In the example above, a PG 40 performance grade rating, which passes a 40 psf design pressure, should be used for determining code compliance, not the structural test pressure of 60 psf.

If you need further details about how Andersen® products perform to this standard, contact your Andersen supplier.

If you need further information about the AAMA/WDMA/CSA 101/I.S.2/A440-11 standard or the Hallmark Certification Program, please contact: WDMA, 2001 K Street NW, 3rd Floor North, Washington, D.C. 20006. Phone: 202-367-1157 Website: wdma.com

Where designated, Andersen products are tested, certified and labeled to the requirements of the Hallmark Certification Program. Actual performance may vary based on variations in manufacturing, shipping, installation, environmental conditions and conditions of use.

PRODUCT PERFORMANCE

Performance Grade, Sound Transmission and Air Infiltration Ratings – 100 Series Windows and Patio Doors

For current performance information, please visit andersenwindows.com.

| Andersen® Product | AAMA/WDMA/CSA 101/I.S.2/A440 Performance Grade (PG) | +/- Corresponding Design Pressure (DP) | STANDARD GLASS | | STC UPGRADE GLASS | | Air Infiltration CFM/FT ² |
|---|---|--|--------------------------------------|--|--------------------------------------|--|---|
| | | | Sound Transmission Class (STC) | Outdoor/Indoor Transmission Class (OITC) | Sound Transmission Class (STC) | Outdoor/Indoor Transmission Class (OITC) | |
| Casement Windows | | | | | | | |
| Single and Twin (venting/stationary) | Class LC-PG40 Size Tested 71.5" x 71.5" | 40/45 | 30 | 25 | 33 | 28 | < 0.2 |
| Single and Twin, PG Upgrade (venting/stationary) | Class LC-PG50 Size Tested 71.5" x 71.5" | 50/50* | 30 | 25 | 33 | 28 | < 0.2 |
| Picture With Flanking Casements | Class LC-PG40 Size Tested 143.5" x 71.5" | 40/40 | - | - | - | - | < 0.2 |
| Picture With Flanking Casements, PG Upgrade | Class LC-PG50 Size Tested 143.5" x 65.5" | 50/50* | - | - | - | - | < 0.2 |
| Awning Windows | | | | | | | |
| Single and Twin (venting/stationary) | Class LC-PG40 Size Tested 47.5" x 95.5" | 40/45 | 30 | 25 | 33 | 28 | < 0.2 |
| Single and Twin, PG Upgrade (venting/stationary) | Class LC-PG50 Size Tested 47.5" x 95.5" | 50/50* | 30 | 25 | 33 | 28 | < 0.2 |
| Picture Over Awning | Class LC-PG40 Size Tested 47.5" x 95.5" | 40/45 | - | - | - | - | < 0.2 |
| Picture Over Awning, PG Upgrade | Class LC-PG50 Size Tested 47.5" x 95.5" | 50/50* | - | - | - | - | < 0.2 |
| Single-Hung Windows | | | | | | | |
| Arch Single-Hung | Class LC-PG30 Size Tested 41.5" x 95.0" | 30/30 | - | - | - | - | < 0.2 |
| Arch Single-Hung, PG Upgrade | Class LC-PG50 Size Tested 41.5" x 83.0" | 50/50* | - | - | - | - | < 0.2 |
| Single-Hung | Class LC-PG30 Size Tested 47.5" x 89.5" | 30/30 | 28 | 23 | 32 | 26 | < 0.2 |
| Single-Hung, PG Upgrade | Class LC-PG50 Size Tested 47.5" x 77.5" | 50/50* | 28 | 23 | 32 | 26 | < 0.2 |
| Twin and Triple Single-Hung | Class LC-PG30 Size Tested 143.5" x 71.5" | 30/30 | - | - | - | - | < 0.2 |
| Twin and Triple Single-Hung, PG Upgrade | Class LC-PG50 Size Tested 143.5" x 65.5" | 50/50* | - | - | - | - | < 0.2 |
| Transom Over Single-Hung | Class LC-PG30 Size Tested 47.5" x 95.5" | 30/30 | - | - | - | - | < 0.2 |
| Transom Over Single-Hung, PG Upgrade | Class LC-PG50 Size Tested 47.5" x 95.5" | 50/50* | - | - | - | - | < 0.2 |
| Picture With Flanking Single-Hungs | Class LC-PG30 Size Tested 143.5" x 71.5" | 30/30 | - | - | - | - | < 0.2 |
| Picture With Flanking Single-Hungs, PG Upgrade | Class LC-PG50 Size Tested 143.5" x 59.5" | 50/50* | - | - | - | - | < 0.2 |
| Gliding Windows | | | | | | | |
| Gliding - Active-Stationary or Stationary-Active | Class LC-PG30 Size Tested 71.5" x 71.5" | 30/30 | 28 | 23 | 32 | 27 | < 0.2 |
| Gliding, PG Upgrade - Active-Stationary or Stationary-Active | Class LC-PG50 Size Tested 71.5" x 59.5" | 50/50* | 28 | 23 | 32 | 27 | < 0.2 |
| Picture over Gliding - Active-Stationary or Stationary-Active | Class LC-PG30 Size Tested 59.5" x 83.5" | 30/30 | - | - | - | - | < 0.2 |
| Gliding - Active-Stationary-Active | Class LC-PG30 Size Tested 143.5" x 71.5" | 30/30 | - | - | - | - | < 0.2 |
| Gliding, PG Upgrade - Active-Stationary-Active | Class LC-PG50 Size Tested 101.5" x 59.5" | 50/50* | - | - | - | - | < 0.2 |
| Picture over Gliding - Active-Stationary-Active | Class LC-PG30 Size Tested 107.5" x 83.5" | 30/30 | - | - | - | - | < 0.2 |
| Picture, Transom & Specialty Windows | | | | | | | |
| Picture, Transom and Specialty Windows | Class LC-PG40 Size Tested 95.5" x 84.3" | 40/40 | 29 | 24 | 32 | 27 | < 0.2 |
| Picture, Transom and Specialty Windows, PG Upgrade | Class LC-PG50 Size Tested 95.5" x 71.5" | 50/50* | 29 | 24 | 32 | 27 | < 0.2 |
| Gliding Patio Doors | Class LC-PG30 Size Tested 95.3" x 95.5" | 30/30 | 28 | 23 | 29 | 26 | < 0.2 |
| Patio Door Sidelights | Class LC-PG30 Size Tested 47.3" x 95.3" | 30/30 | 29 | 24 | 31 | 26 | < 0.2 |
| Patio Door Transoms | Class LC-PG30 Size Tested 95.3" x 23.3" | 30/30 | 29 | 24 | 31 | 26 | < 0.2 |

- *"Performance Grade (PG)" ratings may vary from tested performance rating for larger or smaller units of a particular type.
- *"Sound Transmission Class (STC)" and "Outdoor/Indoor Transmission Class (OITC)" ratings are for individual units with 3 mm glass based on independent tests and represent entire unit.
- *This data is accurate as of January 2022. Due to ongoing product changes, updated test results, or new industry standards, this data may change over time.
- *Where designated, Andersen products are certified and labeled to the requirements of the Hallmark Certification Program. Actual performance may vary based on variations in manufacturing, shipping, installation, environmental conditions and conditions of use.
- *Contact your Andersen supplier for more information.
- *Available for select sizes. Contact your Andersen supplier.

Andersen® Products Total Unit Recycled Content Percentages

For current performance information, please visit andersenwindows.com.

| Andersen Product | % Pre-Consumer Recycled Content |
|---|---------------------------------|
| 100 Series Windows & Patio Doors | |
| Casement Window | 23% |
| Awning Window | 24% |
| Single-Hung Window | 20% |
| Gliding Window | 21% |
| Picture Window | 18% |
| Gliding Patio Door | 14% |
| Patio Door Sidelight | 18% |
| Patio Door Transom | 21% |

*"% Pre-Consumer Recycled Content" is calculated to meet ISO 14021 standards based on NFRC sizing. Actual recycled content dependent on product size.

Center of Glass Performance Data – 100 Series Windows and Patio Doors

 For current performance information, please visit andersenwindows.com.

| Andersen® Product & Glass Type | VT ¹ | SC ² | SHGC ³ | RHG ⁴ | Fading | | %RH @ center ⁷ | IGST ⁸ |
|---|-----------------|-----------------|-------------------|------------------|------------------|------------------|---------------------------|-------------------|
| | | | | | Tuv ⁵ | Tdw ⁶ | | |
| Low-E Glass | | | | | | | | |
| Casement, Awning, Single-Hung and Gliding Windows | 72% | 0.48 | 0.41 | 98.2 | 16% | 33% | 61% | 55.7 |
| Picture, Transom and Specialty Windows | 72% | 0.47 | 0.41 | 97.5 | 16% | 33% | 60% | 55.3 |
| Gliding Patio Doors | 72% | 0.47 | 0.41 | 97.5 | 16% | 33% | 60% | 55.3 |
| Patio Door Sidelights and Transoms | 72% | 0.47 | 0.41 | 97.5 | 16% | 33% | 60% | 55.3 |
| Low-E SmartSun™ Glass | | | | | | | | |
| Casement, Awning, Single-Hung and Gliding Windows | 65% | 0.31 | 0.27 | 65.6 | 5% | 21% | 62% | 56.1 |
| Picture, Transom and Specialty Windows | 65% | 0.31 | 0.27 | 64.9 | 5% | 21% | 61% | 55.7 |
| Gliding Patio Doors | 65% | 0.31 | 0.27 | 64.9 | 5% | 21% | 61% | 55.7 |
| Patio Door Sidelights and Transoms | 65% | 0.31 | 0.27 | 64.9 | 5% | 21% | 61% | 55.7 |
| Low-E Sun Glass | | | | | | | | |
| Casement, Awning, Single-Hung and Gliding Windows | 40% | 0.29 | 0.25 | 61.1 | 16% | 24% | 60% | 55.4 |
| Picture, Transom and Specialty Windows | 40% | 0.29 | 0.25 | 60.4 | 16% | 24% | 59% | 55.0 |
| Gliding Patio Doors | 40% | 0.29 | 0.25 | 60.4 | 16% | 24% | 59% | 55.0 |
| Patio Door Sidelights and Transoms | 40% | 0.29 | 0.25 | 60.4 | 16% | 24% | 59% | 55.0 |
| Low-E PassiveSun® Glass | | | | | | | | |
| Casement, Awning, Single-Hung and Gliding Windows | 79% | 0.79 | 0.69 | 161.0 | 29% | 42% | 60% | 55.1 |
| Picture, Transom and Specialty Windows | 79% | 0.79 | 0.69 | 161.0 | 29% | 42% | 59% | 54.7 |
| Gliding Patio Doors | 79% | 0.79 | 0.69 | 161.0 | 29% | 42% | 59% | 54.7 |
| Patio Door Sidelights and Transoms | 79% | 0.79 | 0.69 | 161.0 | 29% | 42% | 59% | 54.7 |
| Clear Dual-Pane Glass | | | | | | | | |
| Casement, Awning, Single-Hung and Gliding Windows | 82% | 0.89 | 0.78 | 186 | 58% | 61% | 39% | 43.7 |
| Picture, Transom and Specialty Windows | 82% | 0.89 | 0.78 | 186 | 58% | 61% | 39% | 43.6 |
| Gliding Patio Doors | 82% | 0.89 | 0.78 | 186 | 58% | 61% | 39% | 43.6 |
| Patio Door Sidelights and Transoms | 82% | 0.89 | 0.78 | 186 | 58% | 61% | 39% | 43.6 |

* Based on NFRC testing/simulation conditions using Windows v7.4.6.0 and NFRC validated spectral data. 0°F outside temperature, 70°F inside temperature and a 15 mph wind.

1) Visible Transmittance (VT) measures how much light comes through the glass. The higher the value, from 0 to 1, the more daylight the glass lets in. Visible Transmittance is measured over the 380 to 760 nanometer portion of the solar spectrum. 2) Shading Coefficient (SC) defines the amount of heat gain through the glass compared to a single light of clear 1/8" (3) glass. 3) Solar Heat Gain Coefficient (SHGC) defines the fraction of solar radiation admitted through the glass directly transmitted, as well as absorbed and subsequently released inward. The lower the value, the less heat is transmitted through the product. 4) Relative Heat Gain (RHG) is the amount of heat gain through a glazing incorporating U-Factor and Solar Heat Gain Coefficient. 5) Transmission Ultra-Violet Energy (Tuv). The transmission of short-wave energy in the 300-380 nanometer portion of the solar spectrum. The energy can cause fabric fading. 6) Transmission Damage Function (Tdw). The transmission of UV and visible light energy in the 300-600 nanometer portion of the solar spectrum. The value includes both the UV and visible light energy that can cause fabric fading. This rating has also been referred to as the Krochmann Damage Function. This rating better predicts fading potential than UV transmission alone. The lower the Damage Function rating, the less transmission of short-wave energy through the glass that can potentially cause fabric fading. Fabric type is also a key component of fading potential. 7) Percent relative humidity before condensation occurs at the center of glass, taken using center of glass temperature. 8) Inside glass surface temperatures are taken at the center of glass.

* This data is accurate as of January 2022. Due to ongoing product changes, updated test results or new industry standards, this data may change over time. Contact your Andersen supplier for current performance information or upgrade options.

* Contact your Andersen supplier for center of glass performance data on windows with patterned glass, tempered glass and products ordered with capillary breather tubes.

Andersen® NFRC Certified Total Unit Performance

 For current performance information, please visit andersenwindows.com.

| Andersen Product | High-Performance Dual-Pane Glass Type | U-Factor ¹ | SHGC ² | VT ³ | |
|--|---|---|-------------------|-----------------|------|
| 100 Series Casement Windows AND-N-84 2.2 mm glass | Low-E | Without Grilles | 0.28 | 0.28 | 0.48 |
| | | Simulated Divided Light Grilles | 0.28 | 0.25 | 0.43 |
| | | Finelight™ Grilles | 0.28 | 0.25 | 0.43 |
| | | Finelight With Exterior Applied Grilles | 0.28 | 0.25 | 0.43 |
| | | Full Divided Light Grilles | 0.29 | 0.25 | 0.43 |
| | Low-E w/HeatLock™ | Without Grilles | 0.24 | 0.27 | 0.47 |
| | | Simulated Divided Light Grilles | 0.24 | 0.25 | 0.42 |
| | | Finelight Grilles | 0.24 | 0.25 | 0.42 |
| | | Finelight With Exterior Applied Grilles | 0.24 | 0.25 | 0.42 |
| | | Full Divided Light Grilles | 0.26 | 0.25 | 0.42 |
| | Low-E SmartSun™ | Without Grilles | 0.27 | 0.18 | 0.43 |
| | | Simulated Divided Light Grilles | 0.27 | 0.17 | 0.39 |
| | | Finelight Grilles | 0.27 | 0.17 | 0.39 |
| | | Finelight With Exterior Applied Grilles | 0.27 | 0.17 | 0.39 |
| | | Full Divided Light Grilles | 0.28 | 0.17 | 0.39 |
| | Low-E SmartSun w/HeatLock | Without Grilles | 0.24 | 0.18 | 0.42 |
| | | Simulated Divided Light Grilles | 0.24 | 0.16 | 0.38 |
| | | Finelight Grilles | 0.24 | 0.16 | 0.38 |
| | | Finelight With Exterior Applied Grilles | 0.24 | 0.16 | 0.38 |
| | | Full Divided Light Grilles | 0.25 | 0.16 | 0.38 |
| | Low-E Sun | Without Grilles | 0.28 | 0.17 | 0.26 |
| | | Simulated Divided Light Grilles | 0.28 | 0.16 | 0.24 |
| | | Finelight Grilles | 0.28 | 0.16 | 0.24 |
| | | Finelight With Exterior Applied Grilles | 0.28 | 0.16 | 0.24 |
| | | Full Divided Light Grilles | 0.29 | 0.16 | 0.24 |
| | Low-E PassiveSun® | Without Grilles | 0.28 | 0.46 | 0.53 |
| | | Simulated Divided Light Grilles | 0.28 | 0.42 | 0.47 |
| | | Finelight Grilles | 0.28 | 0.42 | 0.47 |
| Finelight With Exterior Applied Grilles | | 0.28 | 0.42 | 0.47 | |
| Full Divided Light Grilles | | 0.29 | 0.42 | 0.47 | |
| Clear Dual-Pane | Without Grilles | 0.41 | 0.52 | 0.55 | |
| | Simulated Divided Light Grilles | 0.41 | 0.48 | 0.49 | |
| | Finelight Grilles | 0.41 | 0.48 | 0.49 | |
| | Finelight With Exterior Applied Grilles | 0.41 | 0.48 | 0.49 | |
| | Full Divided Light Grilles | 0.42 | 0.48 | 0.49 | |

Refer to notes on page 106 for important information on performance data.

| Andersen Product | High-Performance Dual-Pane Glass Type | U-Factor ¹ | SHGC ² | VT ³ | |
|--|---|---|-------------------|-----------------|------|
| 100 Series Awning Windows AND-N-85 2.2 mm glass | Low-E | Without Grilles | 0.28 | 0.28 | 0.48 |
| | | Simulated Divided Light Grilles | 0.28 | 0.25 | 0.43 |
| | | Finelight™ Grilles | 0.28 | 0.25 | 0.43 |
| | | Finelight With Exterior Applied Grilles | 0.28 | 0.25 | 0.43 |
| | | Full Divided Light Grilles | 0.29 | 0.25 | 0.43 |
| | Low-E w/HeatLock™ | Without Grilles | 0.25 | 0.27 | 0.47 |
| | | Simulated Divided Light Grilles | 0.25 | 0.25 | 0.42 |
| | | Finelight Grilles | 0.25 | 0.25 | 0.42 |
| | | Finelight With Exterior Applied Grilles | 0.25 | 0.25 | 0.42 |
| | | Full Divided Light Grilles | 0.26 | 0.25 | 0.42 |
| | Low-E SmartSun™ | Without Grilles | 0.27 | 0.18 | 0.43 |
| | | Simulated Divided Light Grilles | 0.27 | 0.17 | 0.39 |
| | | Finelight Grilles | 0.27 | 0.17 | 0.39 |
| | | Finelight With Exterior Applied Grilles | 0.27 | 0.17 | 0.39 |
| | | Full Divided Light Grilles | 0.28 | 0.17 | 0.39 |
| | Low-E SmartSun w/HeatLock | Without Grilles | 0.24 | 0.18 | 0.42 |
| | | Simulated Divided Light Grilles | 0.24 | 0.16 | 0.38 |
| | | Finelight Grilles | 0.24 | 0.16 | 0.38 |
| | | Finelight With Exterior Applied Grilles | 0.24 | 0.16 | 0.38 |
| | | Full Divided Light Grilles | 0.26 | 0.16 | 0.38 |
| | Low-E Sun | Without Grilles | 0.28 | 0.17 | 0.26 |
| | | Simulated Divided Light Grilles | 0.28 | 0.16 | 0.24 |
| | | Finelight Grilles | 0.28 | 0.16 | 0.24 |
| | | Finelight With Exterior Applied Grilles | 0.28 | 0.16 | 0.24 |
| | | Full Divided Light Grilles | 0.29 | 0.16 | 0.24 |
| | Low-E PassiveSun® | Without Grilles | 0.28 | 0.46 | 0.53 |
| | | Simulated Divided Light Grilles | 0.28 | 0.42 | 0.47 |
| | | Finelight Grilles | 0.28 | 0.42 | 0.47 |
| Finelight With Exterior Applied Grilles | | 0.28 | 0.42 | 0.47 | |
| Full Divided Light Grilles | | 0.29 | 0.42 | 0.47 | |
| Clear Dual-Pane | Without Grilles | 0.42 | 0.52 | 0.55 | |
| | Simulated Divided Light Grilles | 0.42 | 0.48 | 0.49 | |
| | Finelight Grilles | 0.42 | 0.48 | 0.49 | |
| | Finelight With Exterior Applied Grilles | 0.42 | 0.48 | 0.49 | |
| | Full Divided Light Grilles | 0.42 | 0.48 | 0.49 | |

* This data is accurate as of January 2022. Due to ongoing product changes, updated test results, or new industry standards or requirements, this data may change over time. Ratings are for sizes specified by NFRC for testing and certification. Ratings may vary depending on use of tempered glass, different grille options, glass for high altitudes, etc.

continued on next page

 Combination Designs,
Product Performance
& Installation

Andersen® NFRC Certified Total Unit Performance (continued)
 For current performance information, please visit andersenwindows.com.

| Andersen Product | High-Performance Dual-Pane Glass Type | U-Factor ¹ | SHGC ² | VT ³ | |
|--|---|---|-------------------|-----------------|------|
| 100 Series Gliding Patio Doors AND-N-100 3.1 mm glass | Low-E | Without Grilles | 0.30 | 0.32 | 0.55 |
| | | Simulated Divided Light Grilles | 0.30 | 0.25 | 0.42 |
| | | Finelight™ Grilles | 0.30 | 0.29 | 0.48 |
| | | Finelight With Exterior Applied Grilles | 0.30 | 0.29 | 0.48 |
| | | Full Divided Light Grilles | 0.34 | 0.25 | 0.42 |
| | Low-E w/HeatLock™ | Without Grilles | 0.26 | 0.32 | 0.54 |
| | | Simulated Divided Light Grilles | 0.26 | 0.25 | 0.41 |
| | | Finelight Grilles | 0.26 | 0.28 | 0.47 |
| | | Finelight With Exterior Applied Grilles | 0.26 | 0.28 | 0.47 |
| | | Full Divided Light Grilles | 0.32 | 0.25 | 0.41 |
| | Low-E SmartSun™ | Without Grilles | 0.29 | 0.21 | 0.50 |
| | | Simulated Divided Light Grilles | 0.29 | 0.17 | 0.38 |
| | | Finelight Grilles | 0.29 | 0.19 | 0.44 |
| | | Finelight With Exterior Applied Grilles | 0.29 | 0.19 | 0.44 |
| | | Full Divided Light Grilles | 0.34 | 0.17 | 0.38 |
| | Low-E SmartSun™ w/HeatLock | Without Grilles | 0.25 | 0.21 | 0.49 |
| | | Simulated Divided Light Grilles | 0.25 | 0.17 | 0.37 |
| | | Finelight Grilles | 0.25 | 0.19 | 0.43 |
| | | Finelight With Exterior Applied Grilles | 0.25 | 0.19 | 0.43 |
| | | Full Divided Light Grilles | 0.31 | 0.17 | 0.37 |
| | Low-E Sun | Without Grilles | 0.30 | 0.20 | 0.31 |
| | | Simulated Divided Light Grilles | 0.30 | 0.16 | 0.23 |
| | | Finelight Grilles | 0.30 | 0.16 | 0.23 |
| | | Finelight With Exterior Applied Grilles | 0.30 | 0.16 | 0.23 |
| Full Divided Light Grilles | | 0.34 | 0.16 | 0.23 | |
| Low-E PassiveSun* | Without Grilles | 0.31 | 0.53 | 0.61 | |
| | Simulated Divided Light Grilles | 0.31 | 0.41 | 0.46 | |
| | Finelight Grilles | 0.31 | 0.41 | 0.46 | |
| | Finelight With Exterior Applied Grilles | 0.31 | 0.41 | 0.46 | |
| | Full Divided Light Grilles | 0.37 | 0.41 | 0.46 | |
| Clear Dual-Pane | Without Grilles | 0.46 | 0.60 | 0.63 | |
| | Simulated Divided Light Grilles | 0.46 | 0.46 | 0.48 | |
| | Finelight Grilles | 0.46 | 0.53 | 0.55 | |
| | Finelight With Exterior Applied Grilles | 0.46 | 0.53 | 0.55 | |
| | Full Divided Light Grilles | 0.48 | 0.46 | 0.48 | |
| 100 Series Patio Door Transoms AND-N-98 3.0 mm glass | Low-E | Without Grilles | 0.32 | 0.25 | 0.43 |
| | | Simulated Divided Light Grilles | 0.32 | 0.20 | 0.34 |
| | | Finelight™ Grilles | 0.32 | 0.23 | 0.38 |
| | | Finelight With Exterior Applied Grilles | 0.32 | 0.23 | 0.38 |
| | | Full Divided Light Grilles | 0.34 | 0.20 | 0.34 |
| | Low-E w/HeatLock™ | Without Grilles | 0.29 | 0.25 | 0.42 |
| | | Simulated Divided Light Grilles | 0.29 | 0.20 | 0.33 |
| | | Finelight Grilles | 0.29 | 0.22 | 0.37 |
| | | Finelight With Exterior Applied Grilles | 0.29 | 0.22 | 0.37 |
| | | Full Divided Light Grilles | 0.32 | 0.20 | 0.33 |
| | Low-E SmartSun™ | Without Grilles | 0.31 | 0.17 | 0.38 |
| | | Simulated Divided Light Grilles | 0.31 | 0.14 | 0.30 |
| | | Finelight Grilles | 0.31 | 0.15 | 0.34 |
| | | Finelight With Exterior Applied Grilles | 0.31 | 0.15 | 0.34 |
| | | Full Divided Light Grilles | 0.34 | 0.14 | 0.30 |
| | Low-E SmartSun™ w/HeatLock | Without Grilles | 0.28 | 0.17 | 0.37 |
| | | Simulated Divided Light Grilles | 0.28 | 0.14 | 0.30 |
| | | Finelight Grilles | 0.28 | 0.15 | 0.33 |
| | | Finelight With Exterior Applied Grilles | 0.28 | 0.15 | 0.33 |
| | | Full Divided Light Grilles | 0.32 | 0.14 | 0.30 |
| | Low-E Sun | Without Grilles | 0.32 | 0.16 | 0.24 |
| | | Simulated Divided Light Grilles | 0.32 | 0.13 | 0.19 |
| | | Finelight Grilles | 0.32 | 0.13 | 0.19 |
| | | Finelight With Exterior Applied Grilles | 0.32 | 0.13 | 0.19 |
| Full Divided Light Grilles | | 0.34 | 0.13 | 0.19 | |
| Low-E PassiveSun* | Without Grilles | 0.32 | 0.41 | 0.47 | |
| | Simulated Divided Light Grilles | 0.32 | 0.33 | 0.37 | |
| | Finelight Grilles | 0.32 | 0.33 | 0.37 | |
| | Finelight With Exterior Applied Grilles | 0.32 | 0.33 | 0.37 | |
| | Full Divided Light Grilles | 0.36 | 0.33 | 0.37 | |
| Clear Dual-Pane | Without Grilles | 0.45 | 0.47 | 0.49 | |
| | Simulated Divided Light Grilles | 0.45 | 0.38 | 0.38 | |
| | Finelight Grilles | 0.45 | 0.42 | 0.43 | |
| | Finelight With Exterior Applied Grilles | 0.45 | 0.42 | 0.43 | |
| | Full Divided Light Grilles | 0.45 | 0.38 | 0.38 | |

| Andersen Product | High-Performance Dual-Pane Glass Type | U-Factor ¹ | SHGC ² | VT ³ | |
|---|---|---|-------------------|-----------------|------|
| 100 Series Patio Door Sidelights AND-N-97 3.0 mm glass | Low-E | Without Grilles | 0.31 | 0.25 | 0.42 |
| | | Simulated Divided Light Grilles | 0.31 | 0.20 | 0.33 |
| | | Finelight™ Grilles | 0.31 | 0.23 | 0.38 |
| | | Finelight With Exterior Applied Grilles | 0.31 | 0.23 | 0.38 |
| | | Full Divided Light Grilles | 0.34 | 0.20 | 0.33 |
| | Low-E w/HeatLock™ | Without Grilles | 0.28 | 0.25 | 0.41 |
| | | Simulated Divided Light Grilles | 0.28 | 0.20 | 0.33 |
| | | Finelight Grilles | 0.28 | 0.22 | 0.37 |
| | | Finelight With Exterior Applied Grilles | 0.28 | 0.22 | 0.37 |
| | | Full Divided Light Grilles | 0.32 | 0.20 | 0.33 |
| | Low-E SmartSun™ | Without Grilles | 0.31 | 0.17 | 0.38 |
| | | Simulated Divided Light Grilles | 0.31 | 0.14 | 0.30 |
| | | Finelight Grilles | 0.31 | 0.15 | 0.34 |
| | | Finelight With Exterior Applied Grilles | 0.31 | 0.15 | 0.34 |
| | | Full Divided Light Grilles | 0.34 | 0.14 | 0.30 |
| | Low-E SmartSun™ w/HeatLock | Without Grilles | 0.28 | 0.16 | 0.37 |
| | | Simulated Divided Light Grilles | 0.28 | 0.14 | 0.29 |
| | | Finelight Grilles | 0.28 | 0.15 | 0.33 |
| | | Finelight With Exterior Applied Grilles | 0.28 | 0.15 | 0.33 |
| | | Full Divided Light Grilles | 0.32 | 0.14 | 0.29 |
| | Low-E Sun | Without Grilles | 0.32 | 0.16 | 0.24 |
| | | Simulated Divided Light Grilles | 0.32 | 0.13 | 0.19 |
| | | Finelight Grilles | 0.32 | 0.13 | 0.19 |
| | | Finelight With Exterior Applied Grilles | 0.32 | 0.13 | 0.19 |
| Full Divided Light Grilles | | 0.34 | 0.13 | 0.19 | |
| Low-E PassiveSun* | Without Grilles | 0.32 | 0.41 | 0.47 | |
| | Simulated Divided Light Grilles | 0.32 | 0.33 | 0.37 | |
| | Finelight Grilles | 0.32 | 0.33 | 0.37 | |
| | Finelight With Exterior Applied Grilles | 0.32 | 0.33 | 0.37 | |
| | Full Divided Light Grilles | 0.36 | 0.33 | 0.37 | |
| Clear Dual-Pane | Without Grilles | 0.44 | 0.47 | 0.49 | |
| | Simulated Divided Light Grilles | 0.44 | 0.37 | 0.38 | |
| | Finelight Grilles | 0.44 | 0.42 | 0.43 | |
| | Finelight With Exterior Applied Grilles | 0.44 | 0.42 | 0.43 | |
| | Full Divided Light Grilles | 0.45 | 0.37 | 0.38 | |

1) U-Factor defines the amount of heat loss through the total unit in BTU/hr-ft²-°F. The lower the value, the less heat is lost through the entire product. Window values represent non-tempered glass. Use of tempered glass can increase U-factor ratings. See andersenwindows.com/nfrc for specific performance values. Door values represent tempered glass. 2) Solar Heat Gain Coefficient (SHGC) defines the fraction of solar radiation admitted through the glass directly transmitted, as well as absorbed and subsequently released inward. The lower the value, the less heat is transmitted through the product. 3) Visible Transmittance (VT) measures how much light comes through a product (glass and frame). The higher the value, from 0 to 1, the more daylight the product lets in over the product's total unit area. Visible Light Transmittance is measured over the 380 to 760 nanometer portion of the solar spectrum.

- NFRC ratings are based on modeling by a third-party agency as validated by an independent test lab in compliance with NFRC program and procedural requirements.
- This data is accurate as of January 2022. Due to ongoing product changes, updated test results, or new industry standards or requirements, this data may change over time. Ratings are for sizes specified by NFRC for testing and certification. Ratings may vary depending on unit size, use of tempered glass, different grille options, glass for high altitudes, etc.
- Values are for single units with given pane thickness and 3/4" (19 mm) grilles for windows and 1" (25 mm) grilles for door products.

Combination Designs,
Product Performance
& Installation

PRODUCT PERFORMANCE

About the NFRC

The National Fenestration Rating Council (NFRC) is a nonpartisan coalition of professionals whose purpose is to provide fair, accurate and credible energy performance ratings for fenestration products. NFRC's membership includes manufacturers, suppliers, designers, specifiers, utility companies, government agencies and other building industry representatives.

Andersen Corporation is a founding member of the NFRC and continues to support its work by providing fair, accurate and credible energy performance ratings to consumers and the building industry. If you have any questions about the NFRC, its program or energy performance ratings, write them at: NFRC, 6305 Ivy Lane, Suite 410, Greenbelt, MD 20770. Phone: 301-589-1776 Website: nfrf.org

About the Label

Look for this certification label on every window and patio door you buy. The NFRC section was designed by the National Fenestration Rating Council to provide accurate information that helps you promote the energy efficiency of the homes you build. These ratings allow you – and your customers – to measure and compare the energy performance of similar products. If the product does not have this label, the NFRC has not verified its claims.

U-Factor indicates how well a product prevents heat from escaping (the lower the number, the better).

Visible Transmittance refers to how much visible light comes through a product (the closer to 1.0, the more light is transmitted).

WDMA Hallmark Certification verifies the performance ratings of this product were tested by an independent testing laboratory and verified by a third-party certification program.

Test Standards

Energy Rating (ER) represents "Energy Rating" and is a rating used in Canada for product comparison purposes (the higher the ER number, the more energy saved during the heating season).

ENERGY STAR® Climate Zone Map is based on U-Factor and solar heat gain coefficient criteria for specific ENERGY STAR climate zones within the United States and Canada. The shading of the map shows which climate zone(s) a particular product and glass type is ENERGY STAR certified in.

Solar Heat Gain Coefficient measures how well a product blocks heat caused by sunlight (the lower the number, the more it will help reduce the use of air conditioning and as a result, reduce electrical bills and energy use).


Performance Grade (PG) and Design Pressure (DP) Ratings

Glass Construction used with this product type.

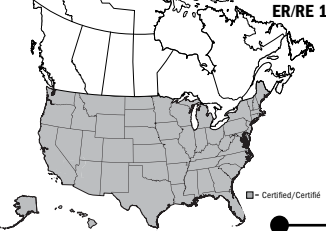
Do not remove until final code inspection. Save label for future reference.

ENERGY STAR® Certified in Highlighted Regions
Certifié ENERGY STAR dans les régions en surbrillance

Canada
energystar.gc.ca




U.S. / É.U.
energystar.gov




ER/RE 18

DO NOT REMOVE UNTIL FINAL INSPECTION/NE PAS RETIRER AVANT L'INSPECTION FINALE



CERTIFIED




100 Series Single Hung Window
AND-N-80-02062-00001
Fibrex Composite Frame, Low-E SmartSun
HeatLock with Argon
Product Type: Single Hung

| ENERGY PERFORMANCE RATINGS | |
|----------------------------|-----------------------------|
| U-Factor | Solar Heat Gain Coefficient |
| 0.25 (U.S./I/P) | 0.20 (Metric/S) |
| 1.42 (Metric/S) | |

| ADDITIONAL PERFORMANCE RATINGS | |
|--------------------------------|---|
| Visible Transmittance | |
| 0.48 | ■ |

Manufacturer stipulates that these ratings conform to applicable NFRC procedures for determining whole product performance. NFRC ratings are determined for a fixed set of environmental conditions and a specific product size. NFRC does not recommend any product and does not warrant the suitability of any product for any specific use. Consult manufacturer's literature for other product performance information.
www.nfrc.org



Hallmark Certified
www.wdma.com

Licensee: 129-H-899
Andersen Corporation
100 Series Single-Hung Window
Manufacturer stipulates Hallmark Certification as indicated below.

| STANDARD | RATING |
|---|---|
| AAMA/WDMA/CSA 101/1.S.2/A440-11 | Class LC-PG30 Size Tested 143.5" x 71.5" DP=30-30 |
| AAMA/WDMA/CSA 101/1.S.2/A440-08 | Class LC-PG30 Size Tested 143.5" x 71.5" DP=30-30 |
| AAMA/WDMA/CSA 101/1.S.2/A440-08 A440S1-09 | Class LC-PG30 - 3645mm x 1816mm Positive/Negative Design Pressure (DP) = 1440 Pa/-1440 Pa Water Penetration Resistance Test Pressure = 220 Pa Canadian Air Infiltration/Exfiltration = A3 |

FL 15906

Glazing: 2.2mm AN outer/2.2mm AN inner

WARNING

This product can expose you to chemicals including titanium dioxide, which is known in the state of California to cause cancer, and methanol, which is known to the state of California to cause birth defects or other reproductive harm. For more information go to www.P65Warnings.ca.gov

Meets or exceeds CEC & IECC Air Infiltration Requirements of 0.2 CFM/sq.ft. or lower.
WDMA Hallmark Certification Program. Complies with HUD UM Bulletin No. 111.

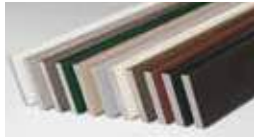
* NFRC ratings are based on modeling by a third-party agency as validated by an independent test lab in compliance with NFRC program and procedural requirements.

** "ENERGY STAR" is a registered trademark of the U.S. Environmental Protection Agency.

INSTALLATION ACCESSORIES FOR WINDOWS & DOORS

Optional accessories are available for the installation of Andersen® windows and patio doors. Keep instruction guidelines and safety information in mind when considering the installation and use of any Andersen product. For questions, contact your local Andersen supplier.

FIBREX® TRIM BOARD



Available in white, canvas, prairie grass, Sandtone, Terratone, cocoa bean, dark bronze, red rock, forest green, dove gray and black, this solid cellular Fibrex trim board can be cut or ripped to size, and can be fastened using nails or screws. 3 1/2" (89) x 3/4" (19) thick in 10' (3048) lengths.

COLOR-MATCHED SEALANT

Color-matched sealant is available in Andersen exterior colors. This high-quality sealant can be used during the installation of all Andersen products.

VINYL CHANNELS

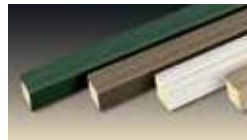


Rigid vinyl "J" and "h" channels are available in white, Sandtone and Terratone. "J" and "h" channels are 1/2" (13) deep and come in 150" (3810) lengths. "J" channels are 3/4" (19) wide and "h" channels are 1" (25) wide. "H" channels are 3/4" (19) deep and come in 84" (2134) and 150" (3810) lengths. White "H" channels are 3/4" (19) wide. Sandtone and Terratone "H" channels are 1" (25) wide.

DRIP CAP

Heavy 24-gauge corrosion-resistant aluminum construction in two profiles to match frames. Available in white, canvas, Sandtone, Terratone, dark bronze, forest green and black in 6' (1829), 10' (3048) and 12'-7 1/2" (3848) lengths.

AUXILIARY CASING



Made of cellular Fibrex material. Available in white, canvas, Sandtone, Terratone, dark bronze, forest green and black. 1 3/16" (30) x 1 3/16" (30) thick in 150" (3810) lengths.

COIL STOCK



Andersen aluminum coil stock can be ordered in white, canvas, prairie grass, Sandtone, Terratone, cocoa bean, dark bronze, red rock, forest green, dove gray and black. Made from .018" thick aluminum, coil stock is available in 24" (610) x 50' (15240) rolls. Color-matched 1 1/4" (32)-long stainless steel trim nails are also available and can be ordered in 1 lb/454 kg boxes.

INSTALLATION ACCESSORIES FOR INSERT WINDOWS

EXTERIOR SILL EXTENDER



A sill extender fits into the exterior accessory kerf in the window frame to hide the gap between the new insert window and the existing window frame at the sill. Precut to fit a 14° sill slope, it can be cut to fit other slopes as needed. Available in all exterior colors. Shown in white.

HEAD EXPANDER



A head expander assists in filling the opening at the top of the window when doing an interior installation. Available in white.

EXTERIOR FRAME EXTENDERS



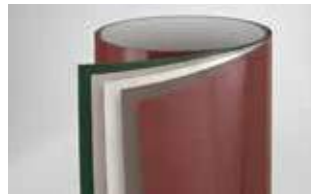
Frame extenders fit into the exterior accessory kerf in the frame to hide the gap around the sides and/or head between the new insert window and the existing window frame. Extenders can be cut to length as needed. Available in all exterior colors. Shown in dark bronze.

Exterior frame and sill extenders are available in long lengths or can be ordered cut to approximate lengths for convenience at the job site.



Insert window shown with exterior frame extenders and sill extender in dark bronze.

COIL STOCK



Coil stock fits into the exterior accessory kerf in the window frame, then wraps the existing wood window trim. It can be cut and formed to profiles at the job site. Andersen aluminum coil stock can be ordered white, canvas, prairie grass, Sandtone, Terratone, cocoa bean, dark bronze, red rock, forest green, dove gray and black. Made from .018" thick aluminum, coil stock is available in 24" (610) x 50' (15240) rolls. Color-matched 1 1/4" (32) stainless steel trim nails are also available and can be ordered in 1 lb/454 kg boxes.

COLOR-MATCHED SEALANT

Color-matched sealant is available in Andersen exterior colors and is specially formulated to adhere to Andersen products.

FOAM BACKER ROD

Available for installations, 3/8" (10) backer rod helps provide an air seal around the frame. Available in 100' (30480) rolls.

SHIMS

Flat self-hanging shims help with a secure installation. Available in boxes of 248 shims.



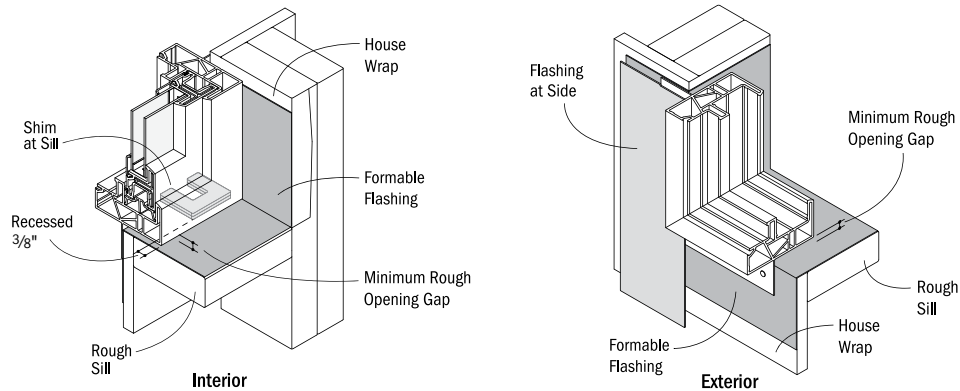
Combination Designs,
Product Performance
& Installation

INSTALLATION INFORMATION

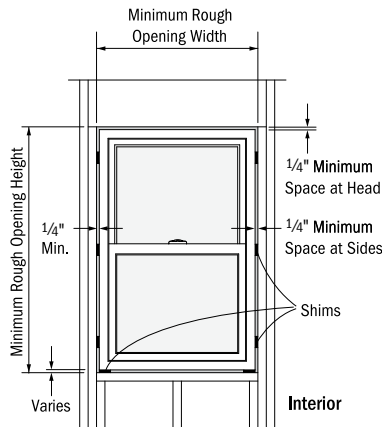
ROUGH OPENINGS

The purpose of a rough opening is to allow for proper spacing between the window or patio door unit and the building structure. The space is required for locating, leveling and squaring the unit during installation and to provide an area for insulation. A rough opening that is incorrectly sized may affect unit operation and may not allow for adequate fastening of the unit to the building structure. Andersen rough opening dimensions are provided as a guideline to help determine the minimum amount of space needed between the window or patio door and the building structure. See appropriate product sections for rough opening guidelines for each product.

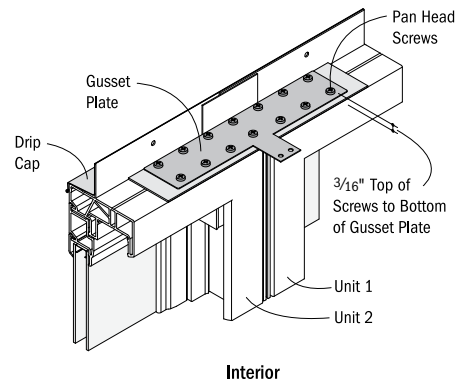
Keep in mind that rough opening dimensions may need to be altered from published guidelines, depending on installation methods, joining methods, replacement methods, etc. For example, flashing systems can reduce the amount of available rough opening space and should be factored in when calculating rough opening dimensions. The use of support or joining materials will encroach on the rough opening and may require additional rough opening space between the unit and the building structure, depending on the thickness of the flashing system and joining materials used. To facilitate drainage, the rough opening sill plate should never slope toward the interior. For challenging environments and other information, refer to EEBA's (Energy and Environmental Building Association) Water Management Guide (eeba.org).



Example of window sill flashing in a membrane drainage system.



Example of window unit installed using Andersen published minimum rough opening dimensions.



Example of two units joined together with the use of gusset plates and pan head screws that will require additional rough opening space.

IMPORTANCE OF PROPER INSTALLATION

Proper installation and maintenance of Andersen products is essential to attain optimum performance and operation. Installation instructions that provide guidelines for proper installation are typically provided with Andersen products. They are also available by visiting andersenwindows.com. Remember that every installation is different, and Andersen strongly recommends consultation with the local supplier or an experienced contractor, architect or structural engineer prior to the installation of any Andersen product. The method of attachment for Andersen products, fastener selection and code compliance is the responsibility of the architect, building owner, contractor, installer and/or consumer. For more complete installation details, visit andersenwindows.com or see your Andersen supplier.

GENERAL NOTES

When ordering, make certain you specify, then verify, the exact product, unit dimensions, configuration requirements, color and options you desire on each window or patio door. Before installing the product, we suggest you verify that it includes the features and options you ordered. Visit andersenwindows.com for product installation and joining guides. Printing limitations prohibit exact color replication of products. View actual samples for building specifications. Andersen Corporation reserves the right to change details, specifications or sizes without notice. The customer assumes all risk of alterations made to Andersen products.

CODES

Appropriate selection of Andersen® products that conform to all applicable laws, ordinances, building codes and safety requirements is the sole responsibility of the architect, designer, building owner and/or contractor. Check with your local building code officials for specific information. Unit wind load, performance grade and energy performance information is provided on pages 99-108. For up-to-date product performance information, visit andersenwindows.com. The performance of any building system depends on the design and construction of the building system in its entirety, which should meet building code requirements, as well as address product and material limitations, and local environment and climate.

DRIP CAPS

Drip caps are a specific type of flashing or trim used at the head of a window or door to direct water from the drainage plane out beyond the face of the unit.

FLASHING

Flashing is an important element in a building's water management system. It is used to shed and direct water to the building exterior or to the drainage plane. Flashing materials are typically applied starting from the bottom and working upward, with each successive layer overlapping the previous one in shingle fashion. Water infiltration problems in any type of building can be reduced by properly flashing and/or sealing around all building openings, including windows and doors.

USE OF SHIMS

Shims are used along the side jambs of windows and doors to center the unit in the rough opening and to position it plumb, level and square. In addition, shims are always required for windows under the sill at the side jambs to lift it off the rough opening sill plate. Shims also enable a straight frame for proper weatherstrip contact and unit operation. If not placed properly, unit performance and operation can be affected. Use waterproof shims capable of supporting the weight of the product. When using tapered shims, use them in pairs with the tapers opposing each other to avoid tilting the unit or twisting (rotating) of the jambs.

SEALANTS

Sealants are elastic materials used to block the passage of water and/or air while allowing movement between the two sides of the joint. A sealant should bond tightly, and be able to expand and contract to accommodate joint movement without cracking or tearing away from the substrate. Surfaces must be clean, dry and sound for adequate sealant adhesion. Choose a sealant that is compatible with, and that will adhere adequately to, all building materials used in the window and patio door area. Proper sealant joint design is based upon the expected movement of adjacent materials and the movement capability of the sealant. A general rule of thumb is that the depth of the sealant joint should be equal to half the width ($D = W/2$), but generally not less than 1/4" (6) or more than 1/2" (13). Foam-plastic backer rod can be used to limit the depth of the sealant joint, to provide a backstop for tooling the sealant without damage to the bond. It also acts as a bond breaker to help minimize stress in the sealant. Sealants should be maintained seasonally, and repaired and/or replaced as needed.

Dimensions in parentheses are in millimeters.

GENERAL INSTALLATION GUIDELINES

1. Read and follow the installation guide in its entirety.
2. Decide whether you are integrating to a surface barrier or a membrane drainage system before installing the product. The appropriate method for your installation may vary based on building design, application and industry practices.
3. Make certain the drainage plane is continuous (proper overlaps to shed water, taped seams, etc.).
4. Andersen products should be installed only in the vertical position.
5. Check the rough opening to make sure it is sized properly, is square and is level.
6. Install the window or door plumb.
7. Install the window or door level.
8. Install the window or door square. Diagonal measurements should be within 1/8" (3).
9. Follow installation instructions to properly locate shims and to make sure that units are plumb, level and square. Shims are always required under the window jambs at the sill and along the jambs on the sides for windows and doors.
10. Check for squareness of unit before final anchoring of the product into the wall.
11. Anchor unit as directed with appropriate fasteners.
12. Integrate the window and door into the drainage plane of the wall using quality flashing and sealing materials. All flashing materials should be properly overlapped to shed water.
13. Allow 1/4" (6) minimum space for a sealant joint around perimeter of unit between exterior finish materials and unit.
14. Insulate and seal the interior cavity between the window or door frame and the rough opening.
15. Check operation before application of interior trim.
4. Acid solutions commonly used to wash brick and other masonry materials will damage glass, fasteners, hardware and metal flashing. Protect unit and follow cleaning product instructions carefully. Damage caused by acid solution is not covered under the Andersen limited warranty.
5. Andersen windows may be combined in almost unlimited ribbons or stacks if each unit is positively secured to structural elements on opposing sides and if the proper joining system is used. See page 99 for more information.

SAFETY GLASS

Unless specifically ordered, Andersen windows are not made with safety glass and, if broken, the glass could fragment, causing injury. Andersen windows may be ordered with tempered glass which may reduce the likelihood of injury when broken. All Andersen patio doors are made with tempered glass. Differences in appearance between tempered and non-tempered glass can be expected. Slight visual distortions may be noticeable and occur normally as a result of the tempering process. Building codes require safety glass in locations adjacent to or near doors and other locations.

WINDOW AND PATIO DOOR SAFETY

Windows may provide a secondary avenue of escape or rescue in an emergency, such as a fire. Every family should develop an escape plan and make sure family members know how to escape from the home in an emergency. In your plan, include two ways to escape from every room in case one way is blocked by fire or smoke, and make sure you have a designated meeting place outside. A window or a patio door is an alternate means of escape or rescue. Practice your plan until each member of the family understands it and is able to escape without assistance. Remember, you may not be able to reach children during a fire emergency. Teach children – even very young children – that they must escape from a fire in the home and never hide from the fire or from emergency personnel.

LOOKOUT FOR KIDS® PROGRAM

The Consumer Product Safety Commission has said: "Keep children away from open windows to prevent falls. Don't depend on insect screens to keep the child from falling out of the window. They are designed to keep insects out, not children in. Avoid placing furniture near windows to keep children from climbing to a window seat or sill." In an effort to educate consumers about the potential for child falls from windows, Andersen Corporation created the LookOut For Kids Program. It combines a window and door safety brochure and specific product instructions to help make window and door safety an important priority for consumers. For more information on child safety, write:

Andersen Corporation
LookOut For Kids Program
 100 Fourth Avenue North
 Bayport, MN 55003
 Call 800-313-8889 or email
lofk@andersencorp.com

**LOOK
 OUT!**
 for kids®

EXTERIOR PAINTING/SEALING OF ANDERSEN® PRODUCTS

The exterior of some Andersen products may be painted or stained. However, improper painting and staining may cause damage to vinyl, aluminum and other exterior materials.

CAUTIONS

1. Do not apply any type of film to insulating glass. Thermal stress and glass damage can result. Andersen Corporation is not responsible for product performance when films are applied to Andersen products.
2. The use of removable insulating materials such as insulated window coverings, shutters and other shading devices may also cause thermal stress conditions and/or deformation of protective vinyl. In addition, excessive condensation may result, which can have a deteriorating effect on the window or door unit(s) involved. Andersen Corporation is not responsible for product performance when these kinds of materials or devices are applied to or used in conjunction with Andersen products.
3. In wall construction utilizing brick facades, leave adequate clearance between sill, jambs and brick for sealing and dimensional change of framework.

Andersen® windows and patio doors can make significant contributions to the success of sustainable design strategies

As a charter member of the U.S. Green Building Council, we're active supporters of certified green buildings. Our products can help customers in pursuing green building programs, such as Leadership in Energy and Environmental Design (LEED®), the National Green Building Standard, Green Globes, GreenStar and more. Below is an overview of how our products may assist project teams with pursuing LEED v4 or the NAHB National Green Building Standard rating systems. More detailed credit summaries, as well as information about how Andersen products can support earlier versions of LEED certification (e.g., LEED v3 or LEED 2008), are available at andersenwindows.com.

LEED V4 FOR BUILDING DESIGN AND CONSTRUCTION: NEW CONSTRUCTION AND MAJOR RENOVATIONS

Integrative Process Credit:

Energy & Atmosphere

- Minimum energy performance prerequisite
- Optimize energy performance credit
- Renewable energy production credit
- Green power and carbon offsets credit

Materials & Resources

- Construction and demolition waste management planning credit
- Building product disclosure and optimization sourcing of raw materials credit
- Construction and demolition waste management credit

Indoor Environmental Quality

- Minimum indoor air quality performance prerequisite
- Minimum acoustic performance prerequisite – schools
- Enhanced indoor air quality strategies credit
- Low-emitting materials credit
- Thermal comfort credit
- Daylight credit
- Quality views credit
- Acoustic performance credit (option 2)

LEED V4 FOR BUILDING DESIGN AND CONSTRUCTION: HOMES AND MULTI-FAMILY MIDRISES

Energy & Atmosphere

- Minimum energy performance prerequisite
- Education of the homeowner, tenant or building prerequisite
- Annual energy use credit
- Building orientation for passive solar credit
- Air infiltration credit
- Windows credit

Materials & Resources

- Durability management prerequisite
- Environmentally preferable products credit
- Construction waste management credit

Indoor Environmental Quality

- Ventilation prerequisite
- Low-emitting products credit

ANSI ICC/ASHRAE 700-2015 NATIONAL GREEN BUILDING STANDARD

NGBS section numbers are referenced in parentheses.

Resource Efficiency

- Prefinished materials (601.7)
- Flashing (602.12)
- Exterior doors, including storm doors (602.1.10)
- Recycled construction materials (605.3)
- Bio-based products (606.1)
- Wood-based products (606.2)
- Manufacturer's environmental management system concepts (611.1)

Energy Efficiency

- Mandatory requirements (701.1)
- Building thermal envelope air sealing (701.4.3.1)
- Multi-family air leakage alternative (701.4.3.3)
- Fenestration air leakage (701.4.3.4)
- ICC IECC analysis (702.2.1)
- Energy performance analysis (702.2.2)
- UA improvement (703.2.1)
- Fenestration (703.2.5)
- Sun-tempered design (703.7.1)
- Passive cooling design (703.7.3)
- Passive solar heating design (703.7.4)

Indoor Environmental Quality

- Wood materials (901.4)
- Interior architectural coatings (901.9)
- Interior adhesives & sealants (901.9)
- Operable windows & sliding glass doors (902.1.5)

Energy Efficient

- Homeowner's manual (1001.1)
- Building construction manual (1002.1)



THE ENVIRONMENT HAS A BUSINESS PARTNER

Respect for the environment is nothing new at Andersen. For more than a century, it has been part of who we are. Our commitment to recycle and reclaim materials began simply because it was good business. Now it's part of our broader commitment to sustainability and responsible stewardship of all of our resources. Andersen is committed to providing you with long-lasting, energy-efficient windows and patio doors. Visit andersenwindows.com/sustainability for more information.



Andersen® products are certified under the National Fenestration Rating Council (NFRC) voluntary third-party certification program designed to ensure accurate energy performance ratings and labeling.



The Window & Door Manufacturers Association (WDMA) Hallmark Certification program includes product testing and quality-control process audits to verify that Andersen windows and doors are produced in conformance with the industry standards for air, water resistance and structural performance.



Andersen Corporation is proud to be an ENERGY STAR® partner. For over 115 years, Andersen has built a reputation for environmental stewardship and energy-efficient products. In fact, Andersen has been part of the ENERGY STAR program since it started and was the first window manufacturer to be named an ENERGY STAR National Window Partner of the Year in 1999.



Andersen was the first window manufacturer to certify our products for indoor air quality, beginning in 2008. Our Indoor Advantage™ Gold certification by SCS Global Services (SCS) meets the rigorous high standards for healthier indoor air quality set by California Specification 01350.



Under U.S. Green Building Council (USGBC) guidelines, Andersen is able to claim a percentage of material in its Fibrex® product as pre-consumer recycled content. SCS Global Services (SCS) has certified this amount for Andersen.

| | | | |
|----|---|----|---|
| 91 | 100 Series Patio Door Overview | 93 | 100 Series Gliding Patio Doors |
| 88 | 100 Series Window Custom Sizes | 95 | 100 Series Patio Door Sidelights & Transoms |
| 84 | 100 Series Window Joining Details | 97 | 100 Series Patio Door Joining Details |
| 66 | 100 Series Picture, Transom & Specialty Windows | 98 | 100 Series Patio Door Custom Sizes |
| 52 | 100 Series Gliding Windows | 99 | Combination Designs, Product Performance & Installation |
| 30 | 100 Series Single-Hung Windows | | |
| 18 | 100 Series Casement & Awning Windows | | |
| 15 | 100 Series Window Overview | | |



Welcome to an overview of the enhanced navigation tools available in this PDF. Here are some simple tips on PDF navigation. Before you begin be sure you are using the latest version of Adobe Acrobat Reader DC, available at – <https://get.adobe.com/reader/>

To watch a 3-minute tutorial on navigating catalog PDFs, go to: <https://youtu.be/sWWnYn60N3Y>

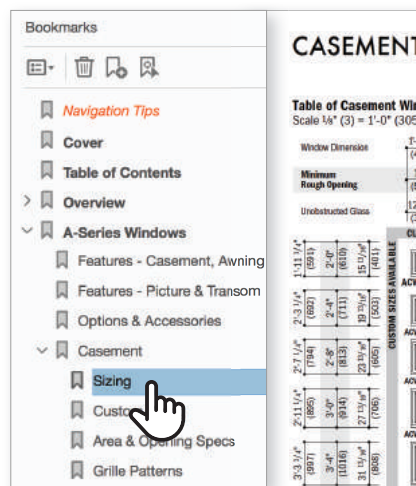
BOOKMARK NAVIGATION

①

Acrobat will display the bookmarks panel when you open the PDF.

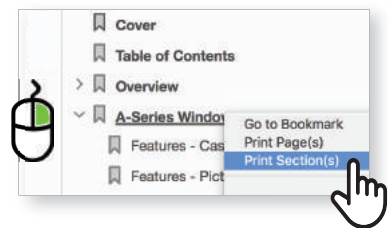
Bookmarks are the easiest way to find specific product information.

Select a topic and that page will be displayed.



②

If you need to print a specific section, **right click on that section** within in the bookmarks panel and choose **“Print Section”**.



LINKS AND URL NAVIGATION

①

You can also use the **embedded links** to navigate between sections. All links are underlined in blue.



②

Website links automatically open in your web browser.



PDF NAVIGATION TIPS Cont.

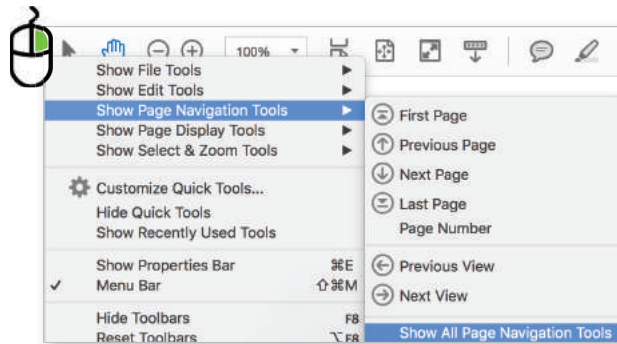
Add additional navigation tools by adjusting the default settings in Acrobat.

← → TOOL BAR NAVIGATION

1

To add a **“Jump Back” Button** to your tool bar, **Right click on tool bar**, select **Show Page Navigation Tools** and choose **Show All Page Navigation Tools**.

Right and left facing arrows are added to the tool bar allowing you to go back or forward to the last page you viewed.

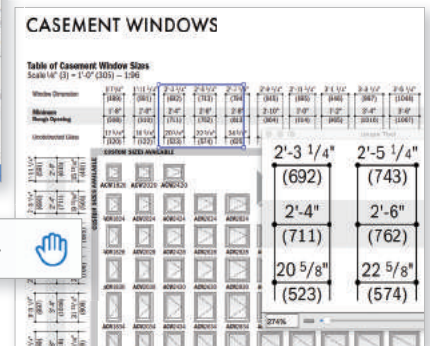
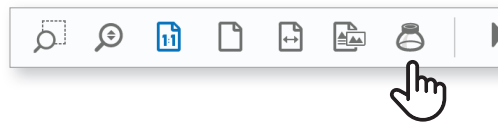
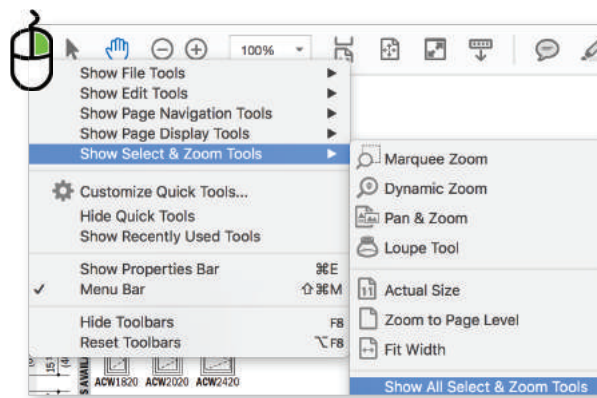


2

Another helpful tool is the **Loupe Tool**.

It allows you to zoom in on the page without having to increase the page size.

To add a **Loupe Tool** to your tool bar, **right click on tool bar**, select **Show Select & Zoom Tools** and then choose **Show All Select & Zoom Tools**.

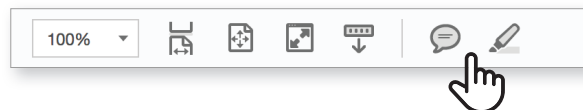


3

You can also use the **commenting tools**.

Add a post-it note with your comments or highlight important information.

Be sure to save the file.



To watch a 3-minute tutorial on navigating catalog PDFs, go to: <https://youtu.be/sWWnYn60N3Y>

We are always looking for ways to improve.

Please send feedback to webmarketing@andersencorp.com.